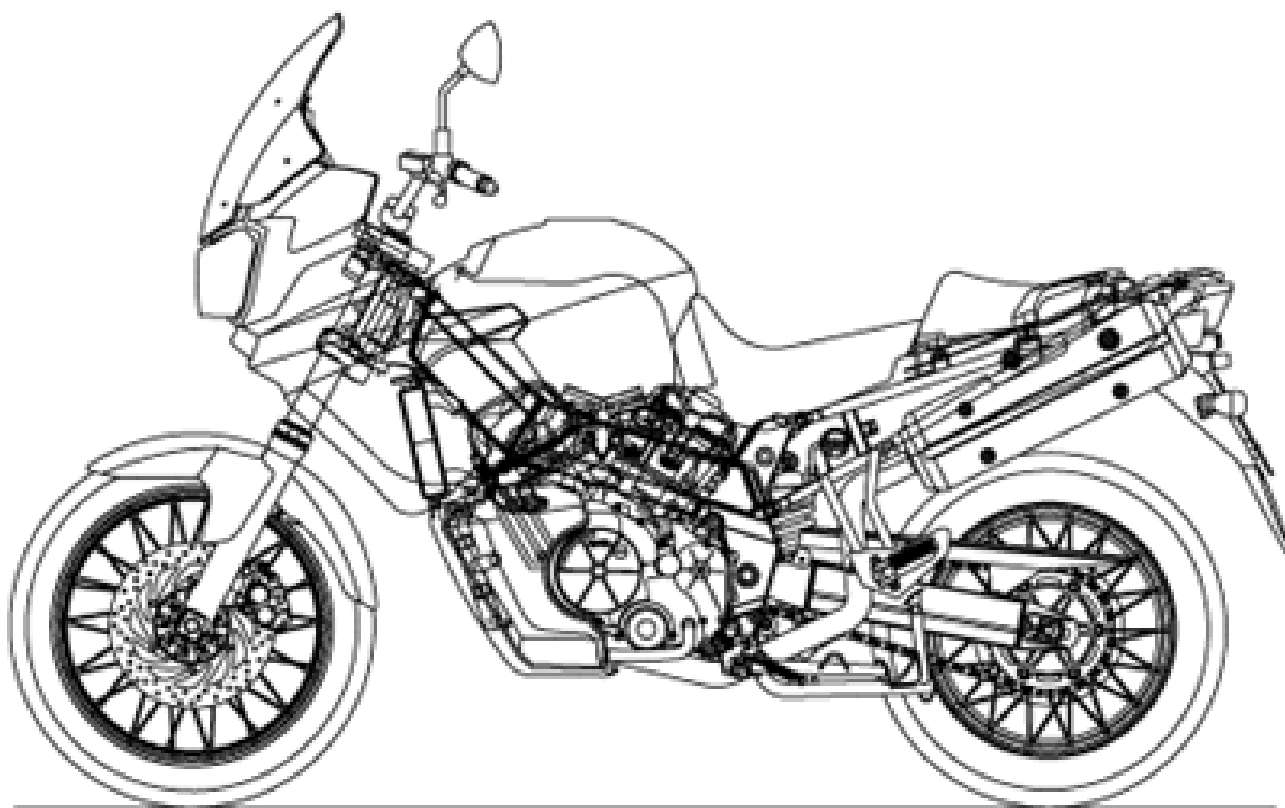




PIAGGIO & C.s.p.a.

aprilia

SPARE PARTS CATALOGUE



ETV 1000 Capo Nord 2004-2007

Chassis prefix: ZD4PS004

Engine prefix:

Index

Products.....	4
Part reference.....	5
FRAME.....	12
Drawing 28.01 - Frame I.....	12
Drawing 28.02 - Frame II.....	13
Drawing 28.03 - Foot rests.....	15
Drawing 28.04 - Central stand.....	16
Drawing 28.05 - Steering.....	17
Drawing 28.06 - Front fork.....	18
Drawing 28.07 - Swing arm.....	20
Drawing 28.08 - Connecting rod and shock absorber.....	21
Drawing 28.09 - Front body I.....	22
Drawing 28.10 - Front body II.....	24
Drawing 28.11 - Front body III.....	26
Drawing 28.12 - Central body.....	27
Drawing 28.13 - Fuel tank.....	28
Drawing 28.14 - Saddle.....	30
Drawing 28.15 - Rear body.....	31
Drawing 28.16 - Undersaddle.....	33
Drawing 28.17 - Dashboard.....	34
Drawing 28.18 - Handlebar.....	35
Drawing 28.19 - ABS Brake system.....	37
Drawing 28.20 - Clutch pump.....	38
Drawing 28.21 - Front master cilinder.....	39
Drawing 28.22 - Cooling system.....	40
Drawing 28.23 - Expansion tank.....	41
Drawing 28.24 - Oil tank.....	42
Drawing 28.25 - Oil cooler.....	43
Drawing 28.26 - Fuel vapour recover system.....	44
Drawing 28.27 - Air box I.....	45
Drawing 28.28 - Air box II.....	46
Drawing 28.29 - Fuel pump I.....	47
Drawing 28.30 - Fuel pump II.....	48
Drawing 28.32 - Exhaust pipe.....	49
Drawing 28.33 - Front wheel.....	50
Drawing 28.34 - Front brake caliper.....	52
Drawing 28.35 - Rear wheel.....	53
Drawing 28.36 - Rear master cylinder.....	56
Drawing 28.37 - Rear brake caliper.....	57
Drawing 28.38 - Front lights.....	58
Drawing 28.39 - Rear lights.....	59
Drawing 28.40 - Electrical system I.....	60
Drawing 28.41 - Electrical system II.....	61

Drawing 28.42 - Electrical system III.....	62
Drawing 28.43 - Lock hardware kit.....	63
Drawing 28.44 - Decal and plate set.....	64
ENGINE.....	65
Drawing 29.31 - Engine.....	65
Drawing 29.45 - Crankcases I.....	66
Drawing 29.46 - Crankcases II.....	67
Drawing 29.47 - Oil pump.....	69
Drawing 29.48 - Crankshaft I.....	70
Drawing 29.49 - Crankshaft II.....	71
Drawing 29.50 - Valves cover.....	72
Drawing 29.51 - Cylinder head and valves.....	73
Drawing 29.52 - Valves pads.....	74
Drawing 29.53 - Front cylinder timing system.....	76
Drawing 29.54 - Rear cylinder timing system.....	77
Drawing 29.55 - Gear box selector.....	79
Drawing 29.56 - Gear box.....	80
Drawing 29.57 - Clutch I.....	81
Drawing 29.58 - Clutch II.....	82
Drawing 29.59 - Water pump.....	83
Drawing 29.60 - Ignition unit.....	84
Drawing 29.61 - Throttle body.....	85
Drawing 29.62 - Sealing and lubricating agents.....	86
ACCESSORIES.....	87
Drawing 30.63 - Acc. - Top/cases, side cases.....	87
Drawing 30.64 - Side Cases Alu.....	89
Drawing 30.65 - Acc. - Cyclistic components.....	90
Drawing 30.66 - Acc. - Various.....	91
Drawing 30.67 - Acc. - Mechanics anti-theft.....	92

Products

Code	Validity
AP6146000EU403	
AP6146000NL403	
AP6146001BE504	
AP6146001DK401	
AP6146001DK403	
AP6146001DK504	
AP6146001EB504	
AP6146001EB605	
AP6146001EC504	
AP6146001EC605	
AP6146001EL401	
AP6146001EL504	
AP6146001EL605	
AP6146001ES401	
AP6146001ES402	
AP6146001ES403	
AP6146001ES504	
AP6146001ES605	
AP6146001EU401	
AP6146001EU403	
AP6146001EU504	
AP6146001EU605	
AP6146001GB401	
AP6146001GB504	
AP6146001IT401	
AP6146001IT402	
AP6146001IT403	
AP6146001IT504	
AP6146001IT605	
AP6146001UB504	
AP6146001UK504	
AP6146001ZA401	
AP6146001ZA403	
AP68203EU01	
AP68203EU06	
AP68203IT06	

Code	Drawing Nr.	Pos.	Code	Drawing Nr.	Pos.	Code	Drawing Nr.	Pos.
0000000	28.33	12	AP0233820	29.45	9	AP0245815	29.56	4
0000000	28.35	12	AP0233822	29.45	9	AP0245830	29.57	2
0000000	29.62	6	AP0236252	29.49	9	AP0245840	29.48	13
0000000	29.62	7	AP0236300	29.53	5	AP0245860	29.48	10
AP0210415	29.46	4	AP0236300	29.54	5	AP0246055	29.54	17
AP0211620	29.47	5	AP0236310	29.53	6	AP0246570	29.48	5
AP0211632	29.47	8	AP0236310	29.54	6	AP0247614	29.58	17
AP0211655	29.60	15	AP0236320	29.53	3	AP0247940	29.55	17
AP0211662	29.50	5	AP0236366	29.55	22	AP0247972	29.58	14
AP0211667	29.50	3	AP0236375	29.46	26	AP0247974	29.58	9
AP0211683	29.54	4	AP0236380	29.54	9	AP0247980	29.53	17
AP0211756	29.54	25	AP0238130	29.58	15	AP0247980	29.54	27
AP0211766	29.53	4	AP0238135	29.58	8	AP0248375	29.55	12
AP0211778	29.59	24	AP0238140	29.58	13	AP0250130	29.54	3
AP0216222	29.49	5	AP0239247	29.55	13	AP0250140	29.60	2
AP0217346	29.48	2	AP0239390	29.58	6	AP0250311	29.50	6
AP0219340	29.54	20	AP0239420	29.55	16	AP0250450	29.46	24
AP0219350	29.48	21	AP0239430	29.55	15	AP0250640	29.50	10
AP0219360	29.48	12	AP0239449	29.47	10	AP0251100	29.50	11
AP0219365	29.48	8	AP0239450	29.55	23	AP0251160	29.60	17
AP0220372	29.48	15	AP0239480	29.57	9	AP0251830	29.50	8
AP0220382	29.53	13	AP0239510	29.51	20	AP0253645	29.51	22
AP0220382	29.54	13	AP0239520	29.51	19	AP0253921	29.51	3
AP0220387	29.53	12	AP0240036	29.57	11	AP0253926	29.51	2
AP0220387	29.54	12	AP0240081	29.50	7	AP0253956	29.51	21
AP0220390	29.56	1	AP0240170	29.50	16	AP0253965	29.51	17
AP0220400	29.56	10	AP0240181	29.59	25	AP0253974	29.52	1
AP0220410	29.59	4	AP0240275	29.54	29	AP0253975	29.52	1
AP0220423	29.47	1	AP0240331	29.51	10	AP0253976	29.52	1
AP0220437	29.55	1	AP0240331	29.59	21	AP0253977	29.52	1
AP0220440	29.54	1	AP0240385	29.60	21	AP0253978	29.52	1
AP0220455	29.57	6	AP0240400	29.53	1	AP0253979	29.52	1
AP0222500	29.59	18	AP0240960	29.53	18	AP0253980	29.52	1
AP0222512	29.59	19	AP0241081	29.46	9	AP0253981	29.52	1
AP0224090	29.50	17	AP0241081	29.60	18	AP0253982	29.52	1
AP0224690	29.50	22	AP0241261	29.46	29	AP0253983	29.52	1
AP0227180	29.57	12	AP0241501	29.46	15	AP0253984	29.52	1
AP0227442	29.55	20	AP0241531	29.46	12	AP0253985	29.52	1
AP0227685	29.59	6	AP0241540	29.60	14	AP0253986	29.52	1
AP0227714	29.55	27	AP0241560	29.50	14	AP0253987	29.52	1
AP0227716	29.55	11	AP0241580	29.46	1	AP0253988	29.52	1
AP0227980	29.51	11	AP0241601	29.50	13	AP0253990	29.51	12
AP0229301	29.45	4	AP0241625	29.50	1	AP0254011	29.51	16
AP0229301	29.60	4	AP0241631	29.60	25	AP0254027	29.51	15
AP0229385	29.45	6	AP0241650	29.47	11	AP0254030	29.52	1
AP0229385	29.55	14	AP0241782	29.46	7	AP0254031	29.52	1
AP0230510	29.51	18	AP0241811	29.59	14	AP0254032	29.52	1
AP0232210	29.51	5	AP0241811	29.60	23	AP0254033	29.52	1
AP0232430	29.47	13	AP0241816	29.60	16	AP0254034	29.52	1
AP0232430	29.59	5	AP0241821	28.20	15	AP0254035	29.52	1
AP0232625	29.46	14	AP0241821	29.46	28	AP0254036	29.52	1
AP0232730	29.47	2	AP0241821	29.47	12	AP0254037	29.52	1
AP0232970	29.47	4	AP0241821	29.51	4	AP0254038	29.52	1
AP0233711	29.45	9	AP0241854	29.46	6	AP0254039	29.52	1
AP0233721	29.48	23	AP0241932	29.46	2	AP0254040	29.52	1
AP0233722	29.48	23	AP0241932	29.55	9	AP0254041	29.52	1
AP0233723	29.48	23	AP0242091	29.50	4	AP0254042	29.52	1
AP0233740	29.45	8	AP0242206	29.58	11	AP0254043	29.52	1
AP0233741	29.45	8	AP0242851	29.50	18	AP0256187	29.46	5
AP0233743	29.45	8	AP0242874	29.48	16	AP0256497	29.46	20
AP0233745	29.45	7	AP0242940	29.48	14	AP0256510	29.47	9
AP0233746	29.45	7	AP0242950	29.57	3	AP0256526	29.46	21
AP0233748	29.45	7	AP0244211	29.54	8	AP0256680	29.47	3
AP0233780	29.59	11	AP0244211	29.55	10	AP0258310	29.55	6
AP0233790	29.59	10	AP0245330	29.47	15	AP0258325	29.55	8
AP0233791	29.59	10	AP0245436	29.49	6	AP0258351	29.55	4
AP0233793	29.59	10	AP0245440	29.55	18	AP0258361	29.55	3

Code	Drawing Nr.	Pos.	Code	Drawing Nr.	Pos.	Code	Drawing Nr.	Pos.
AP0258376	29.55	5	AP0634475	29.58	2	AP0929500	29.45	3
AP0258380	29.55	2	AP0634483	29.47	14	AP0929500	29.54	26
AP0259500	29.46	27	AP0634490	29.59	3	AP0929650	29.45	10
AP0259517	29.57	7	AP0634500	29.48	19	AP0929650	29.49	8
AP0259520	29.57	1	AP0634500	29.59	2	AP0929930	29.45	5
AP0259535	29.58	3	AP0634595	29.60	7	AP0929930	29.48	20
AP0259583	29.58	10	AP0634600	29.60	6	AP0929930	29.59	1
AP0259587	29.58	7	AP0634610	29.48	18	AP0932335	29.46	19
AP0260890	29.57	14	AP0634620	29.56	17	AP0932335	29.55	7
AP0265040	29.60	11	AP0634640	29.56	9	AP0932428	29.46	18
AP0267150	29.50	9	AP0634655	29.56	11	AP0932585	29.46	11
AP0268740	29.46	10	AP0634660	29.56	5	AP0940560	29.54	7
AP0281222	29.56	19	AP0634670	29.56	13	AP0940590	29.53	2
AP0294354	29.60	20	AP0634680	29.56	14	AP0940631	29.53	11
AP0294356	29.60	1	AP0634695	29.56	2	AP0940631	29.54	28
AP0295663	29.48	1	AP0634700	29.56	15	AP0940637	29.49	12
AP0295663	29.49	1	AP0634710	29.56	8	AP0940741	29.55	25
AP0295760	29.48	22	AP0634720	29.56	12	AP0941121	29.54	10
AP0295760	29.54	24	AP0634730	29.53	14	AP0941835	29.58	16
AP0295765	29.48	7	AP0634730	29.54	14	AP0942570	29.54	21
AP0295765	29.53	9	AP0634740	29.60	5	AP0945665	29.55	21
AP0295770	29.48	9	AP0640400	29.48	4	AP0946015	29.48	6
AP0295775	29.54	18	AP0640450	29.49	10	AP0950141	29.46	8
AP0295780	29.48	11	AP0640581	29.50	20	AP0950141	29.59	17
AP0295783	29.58	4	AP0641505	29.60	12	AP0950141	29.59	23
AP0295795	29.58	5	AP0650210	29.50	19	AP0956169	29.59	26
AP0295835	29.60	8	AP0650240	29.59	20	AP0956275	29.47	7
AP0295858	29.49	3	AP0650315	29.59	12	AP8101108	28.02	27
AP0296170	29.62	9	AP0650320	29.46	25	AP8101372	28.22	6
AP0296961	29.45	1	AP0650330	29.59	8	AP8101595	28.28	23
AP0297386	29.62	8	AP0650337	29.46	22	AP8101595	28.36	21
AP0297433	29.62	5	AP0650340	29.60	22	AP8101595	29.31	14
AP0297434	29.62	4	AP0650345	29.50	2	AP8101743	28.22	21
AP0297942	29.60	26	AP0650370	29.59	13	AP8101744	28.33	9
AP0297957	29.53	15	AP0650390	29.49	7	AP8101744	28.35	7
AP0297957	29.54	19	AP0650500	29.46	3	AP8101927	28.22	17
AP0427106	29.56	16	AP0659110	29.60	9	AP8102239	28.22	18
AP0430622	29.49	11	AP0659125	29.60	10	AP8102239	28.30	2
AP0430782	29.60	24	AP0660010	29.50	21	AP8102348	28.16	12
AP0440260	29.48	3	AP0684315	29.49	2	AP8102349	28.25	5
AP0442130	29.57	16	AP0684316	29.49	2	AP8102375	28.02	18
AP0610151	29.59	9	AP0827110	29.56	18	AP8102375	28.11	2
AP0613405	29.51	1	AP0827305	29.54	11	AP8102375	28.12	4
AP0613511	29.49	4	AP0832144	29.46	13	AP8102375	28.15	5
AP0620235	29.55	26	AP0832144	29.55	19	AP8102375	28.23	8
AP0623153	29.51	8	AP0832360	29.54	2	AP8102376	28.01	5
AP0627120	29.56	3	AP0840371	29.53	16	AP8102376	28.16	1
AP0627132	29.56	6	AP0840371	29.54	16	AP8102376	28.23	16
AP0627190	29.53	7	AP0840391	29.54	22	AP8102376	28.25	17
AP0627190	29.54	15	AP0840681	29.59	15	AP8102376	28.32	11
AP0627200	29.48	17	AP0840861	29.46	16	AP8102377	28.28	21
AP0627210	29.55	24	AP0840861	29.59	22	AP8102378	28.26	12
AP0627220	29.58	12	AP0840880	29.51	14	AP8102381	28.09	10
AP0627230	29.57	13	AP0840880	29.51	6	AP8102503	28.13	3
AP0627260	29.58	1	AP0840882	29.60	3	AP8102524	28.04	1
AP0627270	29.60	13	AP0841841	29.59	16	AP8102525	28.28	14
AP0627280	29.57	15	AP0845030	29.53	10	AP8102535	28.13	8
AP0627530	29.57	10	AP0845030	29.54	30	AP8102544	28.01	9
AP0627910	29.58	18	AP0850050	29.46	23	AP8102618	28.24	2
AP0632010	29.45	2	AP0897651	29.62	1	AP8102678	28.26	5
AP0632010	29.59	7	AP0898011	29.62	10	AP8102688	28.26	13
AP0632070	29.56	7	AP0899784	29.62	3	AP8102728	28.44	5
AP0632124	29.46	17	AP0899788	29.62	2	AP8102731	28.25	8
AP0632130	29.57	8	AP0922245	29.50	15	AP8102738	28.23	13
AP0632161	29.53	8	AP0927863	29.51	9	AP8102766	28.26	14
AP0632161	29.54	23	AP0927945	29.51	13	AP8102766	28.28	24
AP0634470	29.47	6	AP0927945	29.51	7	AP8102771	28.22	2

Code	Drawing Nr.	Pos.	Code	Drawing Nr.	Pos.	Code	Drawing Nr.	Pos.
AP8102786	28.24	19	AP8106959	29.57	4	AP8113995	28.21	7
AP8102828	28.24	12	AP8106960	29.57	5	AP8113997	28.20	5
AP8102829	28.30	3	AP8107129	28.35	1	AP8113998	28.20	6
AP8102902	28.01	10	AP8107130	28.35	22	AP8113998	28.40	6
AP8102902	28.02	15	AP8107150	28.35	40	AP8114375	28.18	7
AP8102903	29.31	12	AP8108784	28.33	8	AP8114376	28.18	8
AP8102913	28.14	2	AP8108785	28.33	18	AP8117033	28.09	19
AP8102913	28.43	5	AP8108787	28.35	8	AP8117041	28.09	20
AP8102915	28.22	1	AP8108788	28.35	10	AP8117073	28.17	10
AP8102918	28.25	1	AP8108805	28.35	9	AP8117151	28.27	13
AP8102920	28.44	2	AP8108953	28.33	11	AP8117153	28.28	5
AP8102971	28.29	5	AP8108953	28.35	11	AP8117201	28.14	14
AP8102974	28.43	1	AP8110066	28.07	2	AP8117203	28.32	23
AP8104097	28.22	16	AP8110066	28.08	2	AP8117204	28.32	24
AP8104154	28.12	10	AP8110068	28.08	1	AP8117205	28.10	9
AP8104154	28.43	4	AP8110077	28.05	22	AP8117206	28.10	10
AP8104168	28.27	12	AP8110079	28.07	5	AP8118619	28.18	11
AP8104169	28.27	9	AP8112176	28.40	8	AP8118659	28.20	14
AP8104185	28.40	5	AP8112599	28.17	8	AP8118691	28.18	1
AP8104185	28.43	7	AP8112811	28.41	5	AP8119414	28.32	17
AP8104251	28.26	3	AP8112916	28.39	7	AP8119523	28.32	14
AP8104251	29.31	9	AP8112927	28.41	12	AP8119664	28.32	20
AP8104345	28.14	1	AP8112940	28.41	8	AP8119669	28.32	1
AP8104345	28.43	6	AP8112996	28.03	7	AP8119700	28.32	2
AP8104373	28.29	11	AP8113003	28.19	6	AP8119712	28.32	15
AP8104374	28.30	9	AP8113003	28.20	2	AP8119713	28.32	18
AP8104388	28.43	1	AP8113003	28.21	3	AP8119714	28.32	19
AP8104390	28.01	9	AP8113003	28.34	15	AP8119786	28.32	12
AP8104390	28.07	14	AP8113003	28.36	20	AP8119787	28.32	12
AP8104475	28.26	9	AP8113004	28.24	9	AP8120001	28.16	21
AP8104529	28.13	13	AP8113063	28.20	8	AP8120030	28.22	3
AP8104529	28.43	3	AP8113063	28.21	8	AP8120030	28.23	5
AP8104556	28.18	12	AP8113070	28.34	4	AP8120030	28.25	2
AP8104595	28.44	3	AP8113070	28.37	4	AP8120030	28.28	3
AP8104613	28.05	24	AP8113081	28.36	11	AP8120116	28.26	11
AP8104627	28.18	5	AP8113082	28.36	12	AP8120116	29.31	8
AP8104628	30.64	1	AP8113230	28.20	12	AP8120179	28.26	15
AP8104629	30.64	2	AP8113241	28.36	4	AP8120190	28.24	20
AP8104680	30.63	12	AP8113288	28.36	2	AP8120190	28.24	3
AP8104680	30.64	16	AP8113548	28.34	6	AP8120196	28.24	16
AP8104706	30.64	15	AP8113549	28.34	3	AP8120218	28.41	9
AP8104707	30.64	14	AP8113553	28.36	5	AP8120223	28.09	13
AP8104716	28.10	8	AP8113719	28.20	7	AP8120253	28.27	6
AP8104781	28.44	3	AP8113752	28.37	5	AP8120313	28.09	16
AP8104918	28.44	3	AP8113761	28.20	11	AP8120314	28.32	27
AP8104941	28.05	23	AP8113762	28.20	10	AP8120317	28.16	13
AP8104941	28.40	4	AP8113803	28.21	9	AP8120317	28.19	13
AP8104941	28.43	2	AP8113805	28.33	6	AP8120354	28.23	2
AP8106381	28.20	9	AP8113805	28.34	9	AP8120355	28.23	3
AP8106387	28.24	15	AP8113806	28.33	7	AP8120405	28.39	13
AP8106388	28.25	6	AP8113806	28.34	10	AP8120416	28.40	16
AP8106389	28.25	11	AP8113807	28.21	1	AP8120416	28.41	13
AP8106593	29.31	2	AP8113807	28.34	11	AP8120416	28.42	10
AP8106594	29.31	5	AP8113808	28.35	5	AP8120428	28.05	13
AP8106597	28.29	1	AP8113808	28.35	5	AP8120446	28.24	17
AP8106629	28.29	3	AP8113808	28.37	10	AP8120446	28.26	16
AP8106713	28.20	13	AP8113809	28.36	17	AP8120446	29.31	17
AP8106738	28.26	8	AP8113810	28.37	1	AP8120508	28.16	9
AP8106776	28.26	10	AP8113881	28.20	1	AP8120531	28.18	24
AP8106807	28.29	15	AP8113895	28.37	3	AP8120615	28.27	14
AP8106807	28.30	11	AP8113939	28.36	18	AP8120712	28.11	11
AP8106824	28.26	7	AP8113988	28.34	5	AP8120754	28.41	6
AP8106883	29.61	6	AP8113989	28.34	12	AP8120772	28.28	25
AP8106889	29.61	2	AP8113990	28.34	13	AP8120876	28.26	20
AP8106911	28.18	13	AP8113993	28.20	4	AP8120876	28.28	22
AP8106918	29.31	1	AP8113993	28.21	5	AP8120876	29.31	10
AP8106935	28.20	16	AP8113994	28.21	6	AP8120893	28.13	9

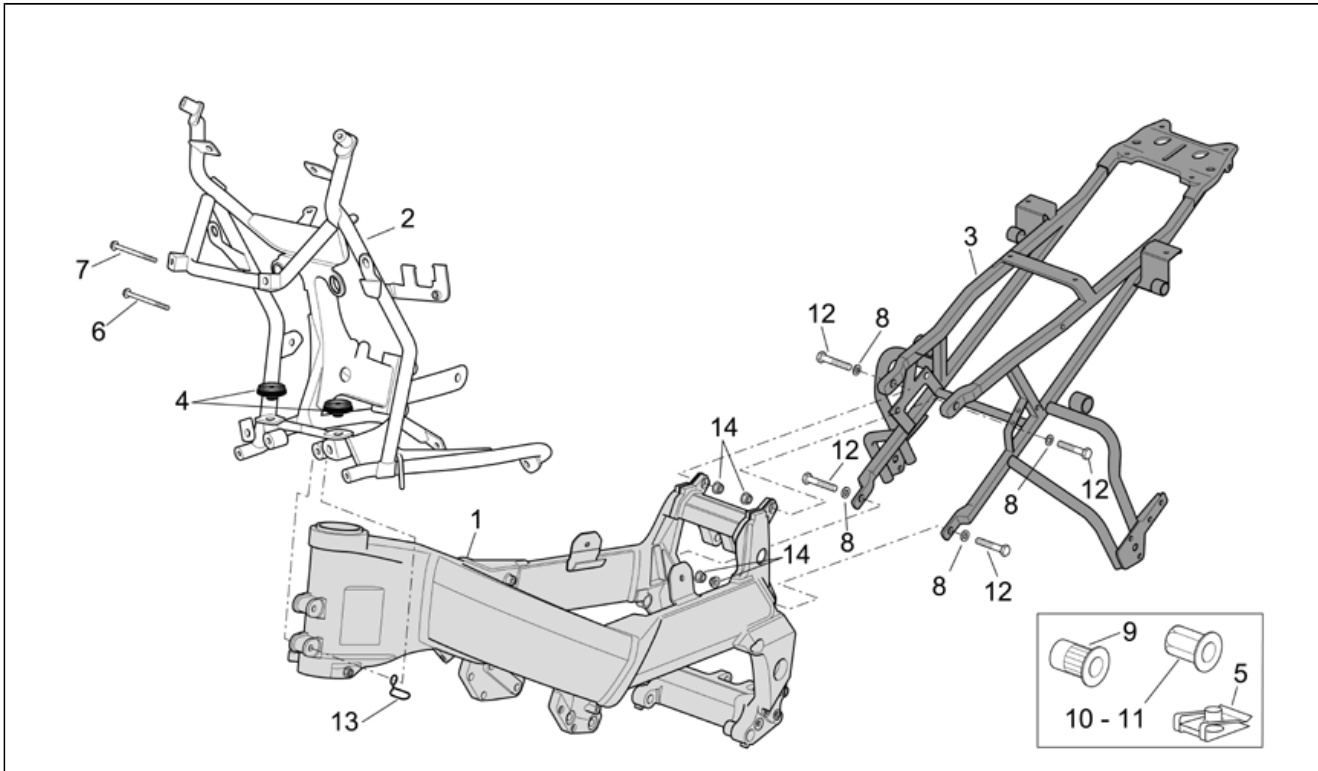
Code	Drawing Nr.	Pos.	Code	Drawing Nr.	Pos.	Code	Drawing Nr.	Pos.
AP8120894	28.13	10	AP8121862	28.24	24	AP8125796	28.35	19
AP8120912	29.31	6	AP8121889	28.01	13	AP8125798	28.35	18
AP8120952	28.23	14	AP8121915	28.19	7	AP8125799	28.35	24
AP8120952	28.26	4	AP8121915	28.20	3	AP8125800	28.35	25
AP8120955	28.28	7	AP8121915	28.21	2	AP8125848	28.22	8
AP8120965	28.13	4	AP8121915	28.34	14	AP8125849	28.36	16
AP8120965	29.61	4	AP8121915	28.36	19	AP8125868	28.33	13
AP8120972	28.02	23	AP8121928	28.03	1	AP8125869	28.33	14
AP8120987	28.28	8	AP8121929	28.38	17	AP8125870	28.33	15
AP8121032	28.09	15	AP8121929	28.39	24	AP8125871	28.33	17
AP8121032	28.11	12	AP8121991	28.16	15	AP8125872	28.35	27
AP8121032	28.12	6	AP8121994	28.04	7	AP8125873	28.35	28
AP8121032	28.16	10	AP8121995	28.02	11	AP8125874	28.35	29
AP8121032	28.23	11	AP8121996	28.02	9	AP8125875	28.35	30
AP8121032	28.28	6	AP8121997	28.02	10	AP8125876	28.35	31
AP8121092	28.02	31	AP8121998	28.02	7	AP8125877	28.35	23
AP8121155	28.08	14	AP8123206	28.06	4	AP8125878	28.35	14
AP8121170	28.32	3	AP8123511	28.05	8	AP8125879	28.35	15
AP8121200	28.07	7	AP8123512	28.05	9	AP8125880	28.35	16
AP8121201	28.07	8	AP8123513	28.05	4	AP8125881	28.35	17
AP8121202	28.07	3	AP8123641	28.05	18	AP8125883	28.33	10
AP8121203	28.07	12	AP8123642	28.05	19	AP8125907	28.35	26
AP8121204	28.07	9	AP8123643	28.05	20	AP8125910	28.33	10
AP8121205	28.05	15	AP8123644	28.05	21	AP8125911	28.35	26
AP8121207	28.05	17	AP8123883	28.05	3	AP8126702	28.01	4
AP8121223	28.36	9	AP8123884	28.05	1	AP8126706	28.16	7
AP8121254	28.02	29	AP8123886	28.05	5	AP8126717	28.16	2
AP8121313	28.25	13	AP8124235	28.40	3	AP8126870	28.06	23
AP8121315	28.08	4	AP8124266	28.40	1	AP8126997	28.11	1
AP8121409	28.24	11	AP8124273	28.41	7	AP8126998	28.11	1
AP8121420	28.12	8	AP8124274	28.40	7	AP8127071	28.42	12
AP8121421	28.13	5	AP8124277	28.40	11	AP8127072	28.39	15
AP8121454	28.05	25	AP8124284	28.42	11	AP8127110	28.18	9
AP8121464	28.22	7	AP8124289	28.42	8	AP8127111	28.38	8
AP8121470	28.02	3	AP8124293	28.40	9	AP8127115	28.42	4
AP8121471	28.02	28	AP8124454	28.41	15	AP8127121	28.38	7
AP8121473	28.23	10	AP8124579	28.41	4	AP8127124	28.38	8
AP8121474	28.02	19	AP8124583	28.39	6	AP8127155	28.17	1
AP8121504	28.36	24	AP8124587	28.38	8	AP8127157	28.17	4
AP8121509	28.15	10	AP8124588	28.29	4	AP8127158	28.17	5
AP8121510	28.15	11	AP8124664	28.29	8	AP8127159	28.17	6
AP8121511	28.14	7	AP8124719	28.11	14	AP8127160	28.38	1
AP8121513	28.32	9	AP8124768	28.12	3	AP8127161	28.38	2
AP8121520	28.18	17	AP8124831	28.41	1	AP8127162	28.38	3
AP8121536	28.29	12	AP8124864	28.42	3	AP8127163	28.38	4
AP8121537	28.29	14	AP8124865	29.60	19	AP8127164	28.38	6
AP8121538	28.30	10	AP8124866	29.61	1	AP8127165	28.38	9
AP8121539	28.29	16	AP8124867	28.28	9	AP8127166	28.39	2
AP8121545	28.29	17	AP8124868	29.50	12	AP8127170	28.39	1
AP8121549	28.05	6	AP8124869	28.42	9	AP8127171	28.39	3
AP8121566	28.03	5	AP8124895	28.05	23	AP8127172	28.39	4
AP8121567	28.03	4	AP8124895	28.40	4	AP8127235	28.42	1
AP8121575	28.11	15	AP8124895	28.43	2	AP8127295	28.32	22
AP8121576	28.32	25	AP8124929	28.22	13	AP8127297	28.42	1
AP8121607	28.04	7	AP8124930	28.22	11	AP8127298	28.40	15
AP8121640	28.33	20	AP8124936	28.09	1	AP8127298	28.41	3
AP8121640	28.35	36	AP8124977	28.04	4	AP8127343	28.42	15
AP8121640	28.35	36	AP8124981	28.28	17	AP8127425	28.17	7
AP8121641	28.33	21	AP8124984	28.18	10	AP8127426	28.17	7
AP8121641	28.35	37	AP8124985	28.37	9	AP8127427	28.17	7
AP8121641	28.35	37	AP8125687	28.07	17	AP8127467	28.41	4
AP8121661	28.07	27	AP8125687	28.35	21	AP8127468	28.40	15
AP8121678	28.05	14	AP8125763	28.07	13	AP8127468	28.41	3
AP8121773	28.32	8	AP8125763	28.35	20	AP8127469	28.33	22
AP8121790	28.09	14	AP8125790	28.33	2	AP8127469	28.35	34
AP8121790	28.17	2	AP8125791	28.33	1	AP8127470	28.40	17
AP8121819	28.18	18	AP8125794	28.35	13	AP8127471	28.41	16

Code	Drawing Nr.	Pos.	Code	Drawing Nr.	Pos.	Code	Drawing Nr.	Pos.
AP8127472	28.19	10	AP8139619	28.29	2	AP8146475	28.03	11
AP8127491	28.40	18	AP8139628	28.11	9	AP8146476	28.03	12
AP8127506	28.19	4	AP8139630	28.15	9	AP8146534	28.03	8
AP8127509	28.40	12	AP8139631	28.07	20	AP8146563	28.03	10
AP8127514	28.38	16	AP8139797	28.05	10	AP8146594	28.01	3
AP8127514	28.39	23	AP8139799	28.16	14	AP8146626	28.04	10
AP8127515	28.38	15	AP8139902	28.24	1	AP8146737	28.01	3
AP8127515	28.39	22	AP8144005	28.07	11	AP8146755	28.01	2
AP8127525	28.38	5	AP8144006	28.07	10	AP8146761	30.64	3
AP8127552	28.38	14	AP8144007	28.36	10	AP8146762	30.64	4
AP8127552	28.39	21	AP8144008	28.25	7	AP8146809	28.03	9
AP8128004	28.33	23	AP8144015	28.24	18	AP8146866	28.04	10
AP8128004	28.35	33	AP8144015	28.26	18	AP8146867	28.03	10
AP8128103	28.35	23	AP8144015	29.31	11	AP8146871	28.01	1
AP8128104	28.33	17	AP8144038	28.26	19	AP8146871	28.01	1
AP8129241	28.14	12	AP8144038	28.28	13	AP8146876	28.07	1
AP8129251	28.14	13	AP8144038	29.31	16	AP8146900	28.37	7
AP8129463	28.14	12	AP8144045	28.16	6	AP8146900	28.37	7
AP8129464	28.14	13	AP8144046	28.40	2	AP8146964	28.01	1
AP8133510	28.21	4	AP8144048	28.07	4	AP8148337	28.36	23
AP8133542	28.37	2	AP8144061	28.24	6	AP8148588	28.11	16
AP8133547	28.33	6	AP8144063	28.27	5	AP8148589	28.11	17
AP8133548	28.33	7	AP8144069	28.22	19	AP8149020	28.27	8
AP8133622	28.34	1	AP8144069	28.30	4	AP8149021	28.27	11
AP8133623	28.34	2	AP8144071	28.32	7	AP8149022	28.27	2
AP8133637	28.19	1	AP8144087	28.19	12	AP8149034	28.16	20
AP8133638	28.19	3	AP8144151	28.36	22	AP8149165	28.28	15
AP8133639	28.19	2	AP8144158	28.13	16	AP8149292	28.11	6
AP8133640	28.19	5	AP8144164	28.27	1	AP8149293	28.10	1
AP8133643	28.36	18	AP8144165	28.22	20	AP8149294	28.10	2
AP8133644	28.19	8	AP8144166	28.22	15	AP8149296	28.16	4
AP8133645	28.19	9	AP8144168	28.07	18	AP8149424	28.23	17
AP8133746	28.35	5	AP8144197	28.22	14	AP8150014	28.42	13
AP8133746	28.35	5	AP8144200	28.24	10	AP8150015	28.04	5
AP8133748	28.37	1	AP8144220	28.07	23	AP8150017	30.64	6
AP8134167	28.11	5	AP8144221	28.07	24	AP8150018	28.02	24
AP8134248	28.36	3	AP8144222	28.05	7	AP8150018	28.19	15
AP8134534	28.37	7	AP8144226	28.29	6	AP8150018	28.32	4
AP8134552	28.11	10	AP8144227	28.30	8	AP8150019	28.02	24
AP8134553	28.02	12	AP8144288	28.16	5	AP8150020	28.02	2
AP8134557	28.23	4	AP8144303	28.26	2	AP8150020	28.02	30
AP8134567	28.28	10	AP8144321	28.07	28	AP8150026	28.36	13
AP8134598	28.02	13	AP8144328	28.13	6	AP8150026	28.41	10
AP8134598	28.24	4	AP8144348	28.27	4	AP8150044	28.25	3
AP8134618	28.12	9	AP8144349	28.22	12	AP8150044	28.38	12
AP8134650	28.26	21	AP8144350	28.13	2	AP8150044	28.39	19
AP8134653	28.42	2	AP8144351	28.13	10	AP8150044	29.31	7
AP8134676	28.07	22	AP8144408	29.31	13	AP8150045	28.23	12
AP8134678	28.24	8	AP8144420	28.24	13	AP8150064	28.29	9
AP8134678	28.40	14	AP8144431	28.30	5	AP8150072	28.36	14
AP8134681	28.25	12	AP8144436	28.30	1	AP8150086	28.02	1
AP8134714	28.02	16	AP8144461	28.14	10	AP8150137	28.24	14
AP8134744	28.23	15	AP8144462	28.14	11	AP8150137	28.25	10
AP8134745	28.25	9	AP8144466	28.08	17	AP8150158	28.39	8
AP8134838	28.03	15	AP8144475	28.29	10	AP8150159	28.22	10
AP8134844	28.26	22	AP8144476	28.29	13	AP8150165	28.02	14
AP8134845	28.26	23	AP8144478	28.29	7	AP8150165	28.08	15
AP8134846	28.16	19	AP8144483	29.61	5	AP8150165	28.24	5
AP8134848	28.26	24	AP8144485	29.61	3	AP8150170	28.18	2
AP8134933	28.37	7	AP8144610	28.02	32	AP8150170	30.64	8
AP8134941	28.18	19	AP8144617	28.09	18	AP8150179	28.14	3
AP8134942	28.18	20	AP8144623	28.30	7	AP8150199	28.38	10
AP8134944	30.64	5	AP8146045	28.03	6	AP8150204	28.39	9
AP8134950	28.19	11	AP8146192	28.08	6	AP8150220	29.31	3
AP8135608	28.08	5	AP8146193	28.08	7	AP8150221	28.02	25
AP8135923	28.07	6	AP8146196	28.36	15	AP8150248	28.09	22
AP8135924	28.08	3	AP8146388	28.07	15	AP8150270	28.22	9

Code	Drawing Nr.	Pos.	Code	Drawing Nr.	Pos.	Code	Drawing Nr.	Pos.
AP8150272	28.28	19	AP8152279	28.25	16	AP8158035	28.16	17
AP8150285	28.14	6	AP8152279	28.35	38	AP8158036	28.16	16
AP8150292	28.01	8	AP8152279	28.42	16	AP8158254	28.27	15
AP8150292	28.04	8	AP8152280	28.17	9	AP8158632	28.11	10
AP8150292	28.08	13	AP8152280	28.36	6	AP8158759	28.20	17
AP8150292	28.34	8	AP8152281	28.13	7	AP8158886	28.15	2
AP8150292	28.35	4	AP8152281	28.22	5	AP8158887	28.15	1
AP8150334	28.07	26	AP8152281	28.24	21	AP8161025	28.35	39
AP8150334	28.19	14	AP8152281	28.25	15	AP8161025	28.35	39
AP8150334	28.32	16	AP8152281	28.41	2	AP8163066	28.06	5
AP8150342	28.18	6	AP8152283	28.01	7	AP8163067	28.06	6
AP8150378	28.02	21	AP8152284	28.01	6	AP8163068	28.06	7
AP8150382	28.28	11	AP8152285	28.24	23	AP8163069	28.06	8
AP8150382	28.39	12	AP8152285	28.33	5	AP8163070	28.06	9
AP8150388	30.64	7	AP8152285	28.35	6	AP8163071	28.06	10
AP8150406	28.28	18	AP8152285	28.35	6	AP8163072	28.06	11
AP8150413	28.28	12	AP8152285	28.35	6	AP8163073	28.06	12
AP8150421	28.40	10	AP8152285	28.40	13	AP8163074	28.06	13
AP8150429	28.36	25	AP8152286	28.16	8	AP8163075	28.06	14
AP8150429	28.41	11	AP8152286	28.37	6	AP8163076	28.06	15
AP8150430	28.14	4	AP8152287	28.15	7	AP8163077	28.06	16
AP8150430	28.25	14	AP8152288	28.03	13	AP8163078	28.06	17
AP8150430	28.36	8	AP8152288	28.05	11	AP8163079	28.06	18
AP8150430	28.38	13	AP8152289	28.05	2	AP8163080	28.06	19
AP8150430	28.39	20	AP8152290	28.15	8	AP8163081	28.06	20
AP8150430	30.64	10	AP8152292	28.32	5	AP8163082	28.06	21
AP8150431	30.64	11	AP8152293	28.32	26	AP8163083	28.06	22
AP8150436	28.01	14	AP8152299	28.16	3	AP8163084	28.08	18
AP8150444	28.10	3	AP8152299	28.24	7	AP8163218	28.18	3
AP8150451	28.39	11	AP8152299	28.41	14	AP8163335	28.06	1
AP8150453	28.13	12	AP8152299	28.42	17	AP8163336	28.06	2
AP8150454	28.13	11	AP8152300	28.02	26	AP8163341	28.06	17
AP8150458	28.08	10	AP8152300	28.03	14	AP8163371	28.06	1
AP8150489	28.32	21	AP8152300	28.32	6	AP8163378	28.08	16
AP8150491	28.33	19	AP8152301	28.02	5	AP8163446	28.06	21
AP8150491	28.35	32	AP8152301	28.08	9	AP8163447	28.06	18
AP8150493	28.09	12	AP8152302	28.07	19	AP8166233	28.44	4
AP8150510	28.33	5	AP8152302	28.09	8	AP8166235	28.44	4
AP8150510	28.35	6	AP8152302	28.11	3	AP8166239	28.44	4
AP8150510	28.35	6	AP8152302	28.12	7	AP8166491	28.44	4
AP8150513	28.02	20	AP8152302	28.15	6	AP8166613	28.44	7
AP8152001	28.04	9	AP8152302	28.18	23	AP8166614	28.44	8
AP8152043	28.21	11	AP8152302	28.23	9	AP8166788	28.10	11
AP8152117	28.14	5	AP8152305	28.07	25	AP8166789	28.10	12
AP8152123	28.42	14	AP8152315	28.02	6	AP8166790	28.15	12
AP8152137	30.64	9	AP8152316	28.02	4	AP8166791	28.13	17
AP8152147	28.08	12	AP8152317	28.02	8	AP8167651	28.44	1
AP8152184	30.64	12	AP8152318	28.34	7	AP8167753	28.44	1
AP8152229	28.05	12	AP8152318	28.35	2	AP8168317	28.14	15
AP8152242	28.35	3	AP8152320	28.03	2	AP8168318	28.14	16
AP8152246	28.12	5	AP8152323	28.33	4	AP8168468	28.17	3
AP8152246	28.16	11	AP8152325	28.01	12	AP8168743	28.23	1
AP8152246	28.27	7	AP8152329	28.27	10	AP8168916	28.09	7
AP8152246	28.28	2	AP8152329	28.28	1	AP8177086	28.44	6
AP8152246	28.32	28	AP8152335	28.33	3	AP8177757	28.44	7
AP8152246	28.33	24	AP8152338	28.09	17	AP8177895	28.44	1
AP8152246	28.35	35	AP8152339	28.07	21	AP8178368	28.09	2
AP8152272	28.30	6	AP8152339	28.09	11	AP8178369	28.09	6
AP8152274	28.27	3	AP8152339	28.10	7	AP8178370	28.09	21
AP8152275	28.11	4	AP8152342	28.32	10	AP8178391	28.13	1
AP8152277	28.02	17	AP8152384	28.05	16	AP8178393	28.10	5
AP8152278	28.24	22	AP8152396	28.08	11	AP8178394	28.10	6
AP8152278	28.36	7	AP8152397	28.08	8	AP8178395	28.09	3
AP8152278	28.37	8	AP8152409	28.03	3	AP8178396	28.09	4
AP8152279	28.04	6	AP8156065	30.65	6	AP8178397	28.18	21
AP8152279	28.11	7	AP8157001	28.44	9	AP8178398	28.18	22
AP8152279	28.23	7	AP8157770	28.18	4	AP8178399	28.15	3

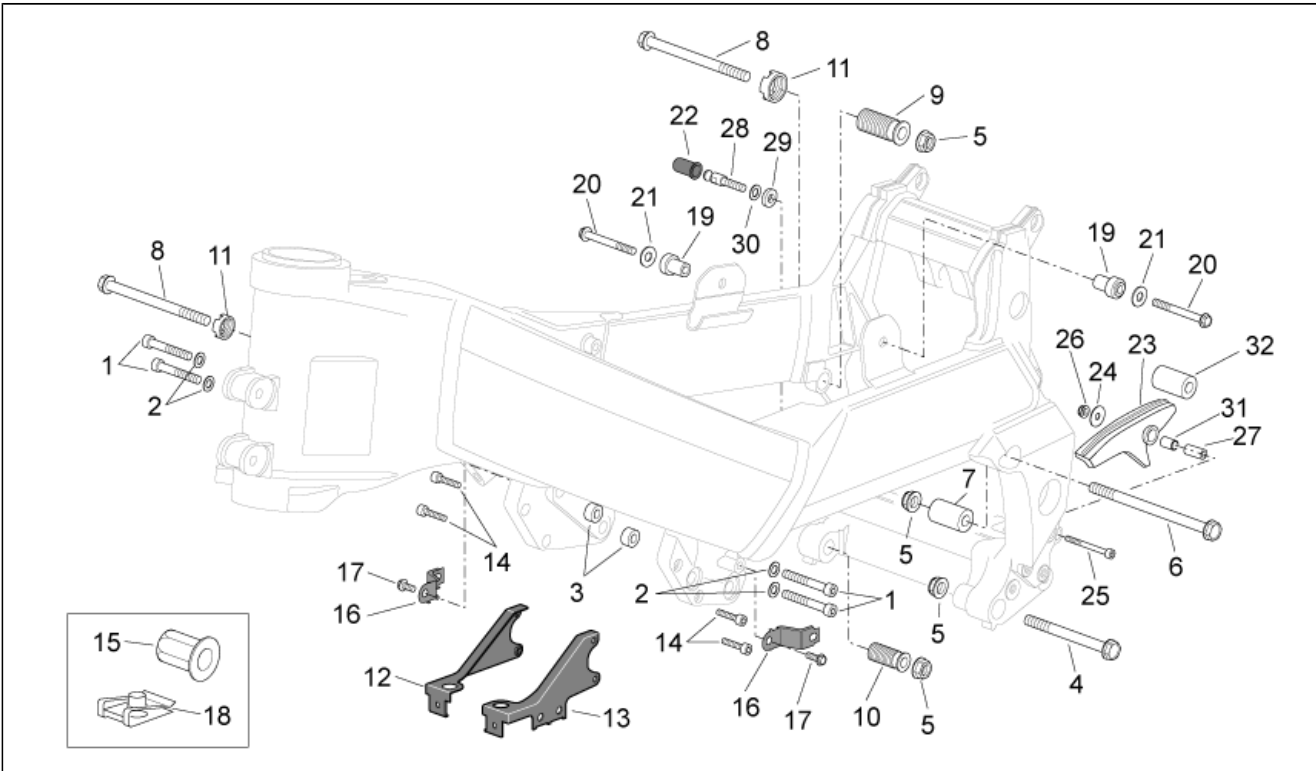
Code	Drawing Nr.	Pos.	Code	Drawing Nr.	Pos.
AP8178400	28.15	4	AP8213057	28.36	1
AP8178401	28.12	1	AP8220095	28.28	16
AP8178402	28.12	2	AP8220150	28.38	11
AP8178403	28.13	1	AP8220150	28.39	17
AP8178405	28.10	5	AP8220162	28.10	4
AP8178406	28.10	6	AP8220263	28.13	14
AP8178407	28.09	3	AP8220263	28.26	1
AP8178408	28.09	4	AP8220263	28.28	4
AP8178409	28.18	21	AP8220283	28.42	5
AP8178409	28.18	21	AP8220349	28.14	8
AP8178409	28.18	21	AP8220460	28.02	22
AP8178410	28.18	22	AP8220517	28.14	9
AP8178410	28.18	22	AP8220546	28.42	6
AP8178410	28.18	22	AP8221007	28.09	16
AP8178411	28.15	3	AP8221017	28.39	18
AP8178412	28.15	4	AP8221023	28.22	4
AP8178413	28.12	1	AP8221023	28.25	4
AP8178414	28.12	2	AP8221036	28.39	14
AP8178418	28.09	6	AP8221046	29.31	4
AP8178420	28.09	3	AP8221145	28.11	8
AP8178422	28.09	4	AP8221150	28.11	13
AP8178424	28.09	5	AP8221204	28.04	3
AP8178425	28.13	1	AP8221211	28.04	2
AP8178426	28.10	5	AP8221310	28.07	16
AP8178427	28.10	6	AP8224164	28.16	18
AP8178428	28.18	21	AP8224192	28.21	10
AP8178429	28.18	22	AP8224389	28.39	5
AP8178430	28.15	3	AP8224393	28.39	16
AP8178431	28.15	4	AP8224462	28.42	7
AP8178432	28.12	1	AP8225369	28.09	17
AP8178433	28.12	2	AP8700792	30.66	5
AP8178977	28.13	1	AP8700793	30.66	5
AP8178978	28.10	5	AP8700794	30.66	5
AP8178979	28.10	6	AP8720115	30.67	1
AP8178980	28.09	3	AP8720116	30.67	2
AP8178981	28.09	4	AP8720117	30.67	3
AP8178982	28.15	3	AP8720118	30.67	4
AP8178983	28.15	4	AP8790114	30.64	13
AP8178984	28.12	1	AP8791235	30.65	3
AP8178985	28.12	2	AP8791236	30.65	2
AP8179134	28.13	1	AP8791237	30.65	1
AP8179135	28.09	2	AP8792152	30.63	10
AP8179370	28.13	1	AP8792172	30.63	8
AP8179371	28.13	1	AP8792173	30.63	7
AP8179374	28.09	3	AP8792174	30.63	9
AP8179375	28.09	4	AP8792184	30.63	6
AP8179378	28.12	1	AP8792198	30.63	4
AP8179379	28.12	2	AP8792199	30.63	5
AP8179382	28.10	5	AP8792288	30.63	8
AP8179383	28.10	6	AP8792331	30.63	11
AP8179384	28.15	3	AP8792375	30.63	1
AP8179385	28.15	4	AP8792376	30.63	2
AP8201225	28.13	15	AP8792377	30.63	3
AP8201358	28.26	17	AP8792378	30.63	1
AP8201727	28.23	6	AP8792379	30.63	2
AP8201755	28.01	11	AP8792380	30.63	3
AP8201763	28.09	9	AP8792391	30.63	6
AP8201808	29.31	15	AP8793056	30.66	1
AP8201842	28.18	15	AP8793057	30.66	1
AP8201843	28.18	14	AP8793683	30.66	2
AP8201856	28.18	16	AP8793684	30.66	3
AP8202154	28.26	6	AP8793685	30.66	1
AP8202154	28.28	20	AP8795035	30.65	7
AP8203074	28.33	16	AP8795038	30.65	5
AP8203200	28.06	3	AP8796733	30.66	4
AP8212382	28.42	18	AP8796735	30.65	4
AP8212702	28.39	10			

Assembly	FRAME
Code	28.01
Description	Frame I
Revision	1



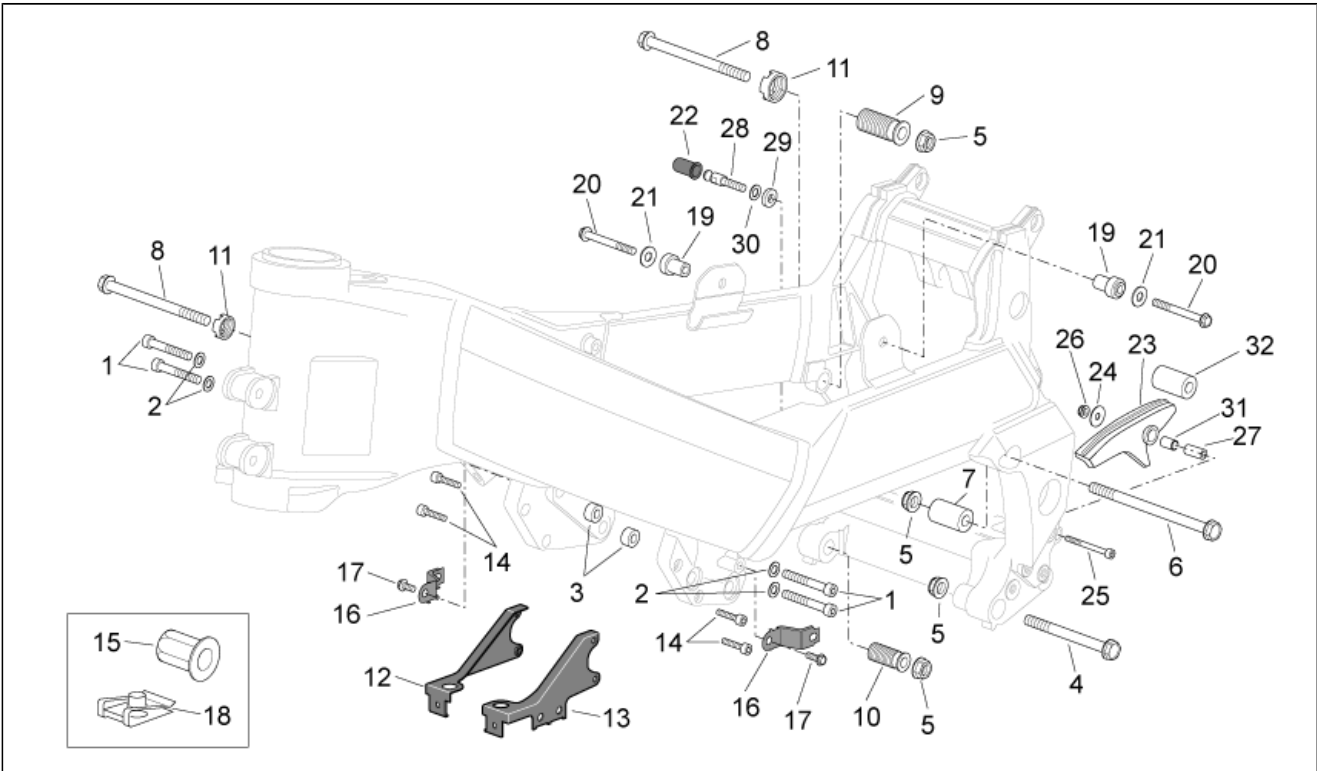
Pos.	Code	Description	Q.ty	Variants
1	AP8146871	Frame	1	year: 2006[6], 2007[7] Color: Venice White 2006 (s.t.15105)[v.white]
1	AP8146871	Frame	1	year: 2004[4], 2005[5] Color: Dust Grey 2004[d.grey], Hilton Blue 2004[h.blu], Titan Grey 2004-2005[t.grey]
1	AP8146964	Frame	1	year: 2005[5], 2006[6] Color: Aprilia black 2005-2006 (s.t.14761)[a.blk]
2	AP8146755	Instrum.holder frame	1	
3	AP8146594	Saddle support	1	Technical Specifications: ETV Capo Nord Standard Version[std]
3	AP8146737	Saddle support	1	Technical Specifications: ABS brake system ETV Capo Nord Version[abs]
4	AP8126702	Rubber spacer	2	
5	AP8102376	Clip M6	8	
6	AP8152284	Screw w/ flange	1	
7	AP8152283	Screw w/ flange	1	
8	AP8150292	Curved spring washer *	4	
9	AP8102544	Threaded rivet M6	4	
9	AP8104390	Threaded rivet M5	4	
10	AP8102902	Hex threaded insert	4	
11	AP8201755	Threaded rivet M5	4	
12	AP8152325	Screw w/ flange M10x40*	4	
13	AP8121889	Cable-guide	1	
14	AP8150436	Low self-locking nut M10	4	

Assembly	FRAME
Code	28.02
Description	Frame II
Revision	1



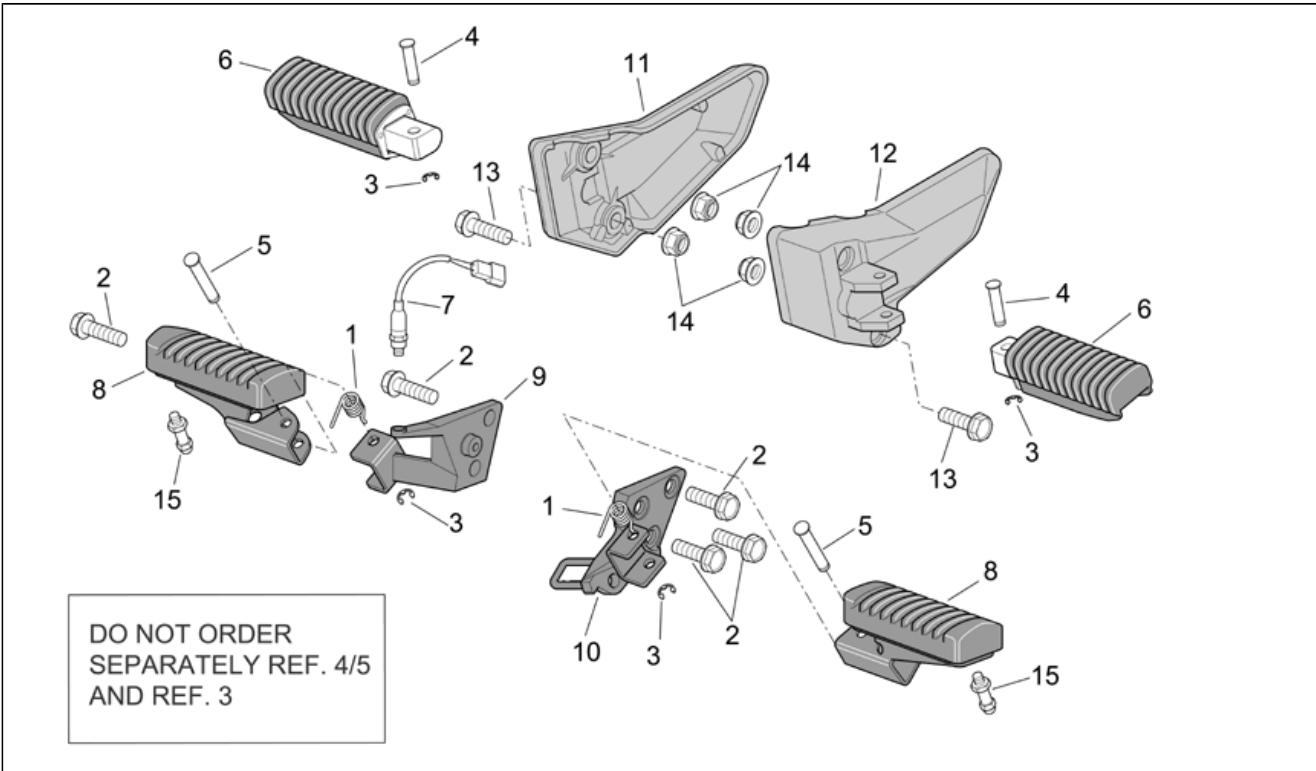
Pos.	Code	Description	Q.ty	Variants
1	AP8150086	Hex socket screw M10X55	4	
2	AP8150020	Washer 10,5x21x2*	4	
3	AP8121470	LH front engine spacer	2	
4	AP8152316	Screw w/ flange M10x75	1	
5	AP8152301	Self-locking nut M10*	4	
6	AP8152315	Screw w/ flange M10x110	1	
7	AP8121998	Upper engine spacer	1	
8	AP8152317	Screw w/ flange M10x100	2	
9	AP8121996	Upper adjustment bush	1	
10	AP8121997	Lower adjustment bush	1	
11	AP8121995	Eng.connect.elem.ring nut	2	
12	AP8134553	RH inf.water cooler holder	1	
13	AP8134598	LH inf.water cooler holder	1	
14	AP8150165	Hex socket screw	4	
15	AP8102902	Hex threaded insert	2	
16	AP8134714	Fairing fixing plate	2	
17	AP8152277	Screw w/ flange	2	
18	AP8102375	Clip M5	2	
19	AP8121474	Fuel tank spacer	2	
20	AP8150513	Screw M6x40	2	
21	AP8150378	Washer 6,4x18x2	2	
22	AP8220460	Rubber cup	1	
23	AP8120972	Chain tensioner roller	1	Country: United States of America[USA]
24	AP8150018	Washer	1	Country: Australia[AA], Ireland[EI], DK, E, I[EU], Great Britain[UK]
24	AP8150019	Washer 8,4x32x2,5	1	Country: United States of America[USA]
25	AP8150221	Hex socket screw M8x70	1	
26	AP8152300	Self-locking nut M8*	1	

Assembly	FRAME
Code	28.02
Description	Frame II
Revision	1



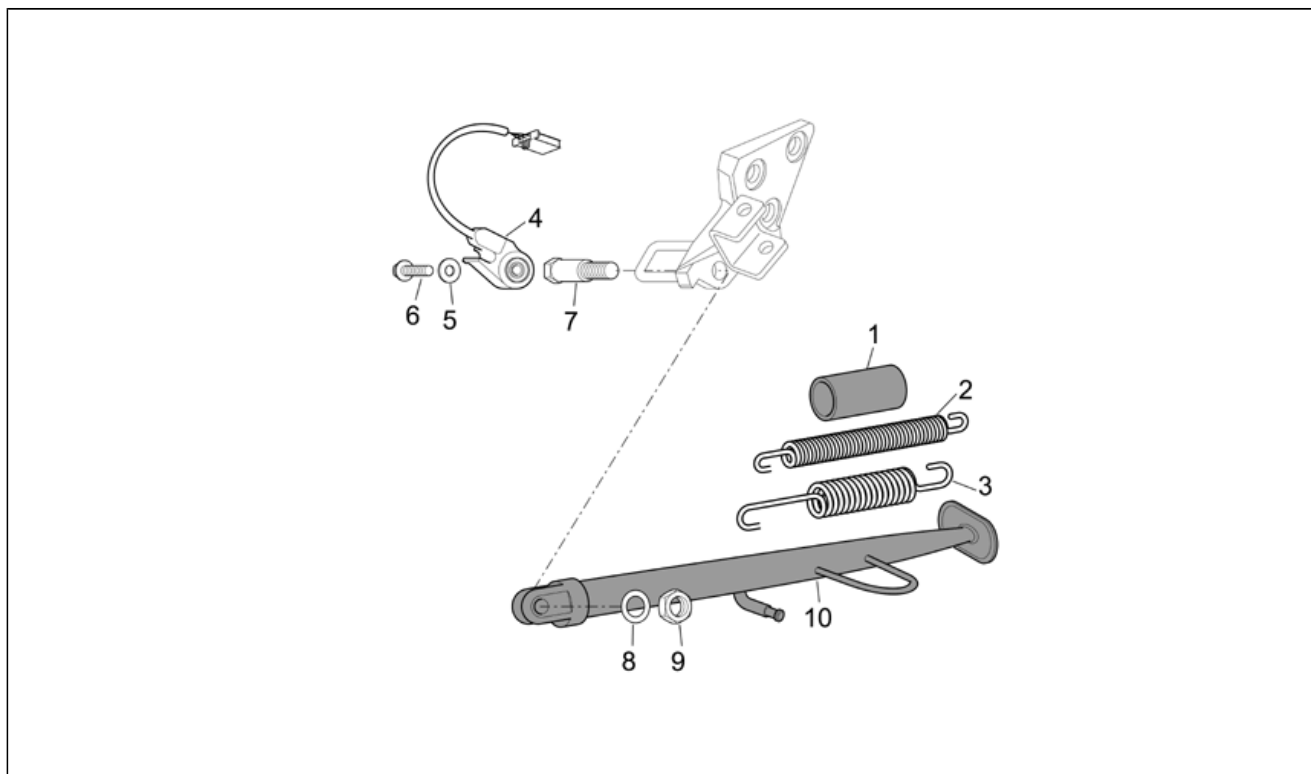
Pos.	Code	Description	Q.ty	Variants
27	AP8101108	Spacer *	1	
28	AP8121471	Lock attachment pin	1	
29	AP8121254	LH front engine spacer	1	
30	AP8150020	Washer 10,5x21x2*	1	
31	AP8121092	Spacer *	1	
32	AP8144610	Chain tensioner sliding block	1	Country: Australia[AA], Ireland[EI], DK, E, I[EU], Great Britain[UK]

Assembly	FRAME
Code	28.03
Description	Foot rests
Revision	1



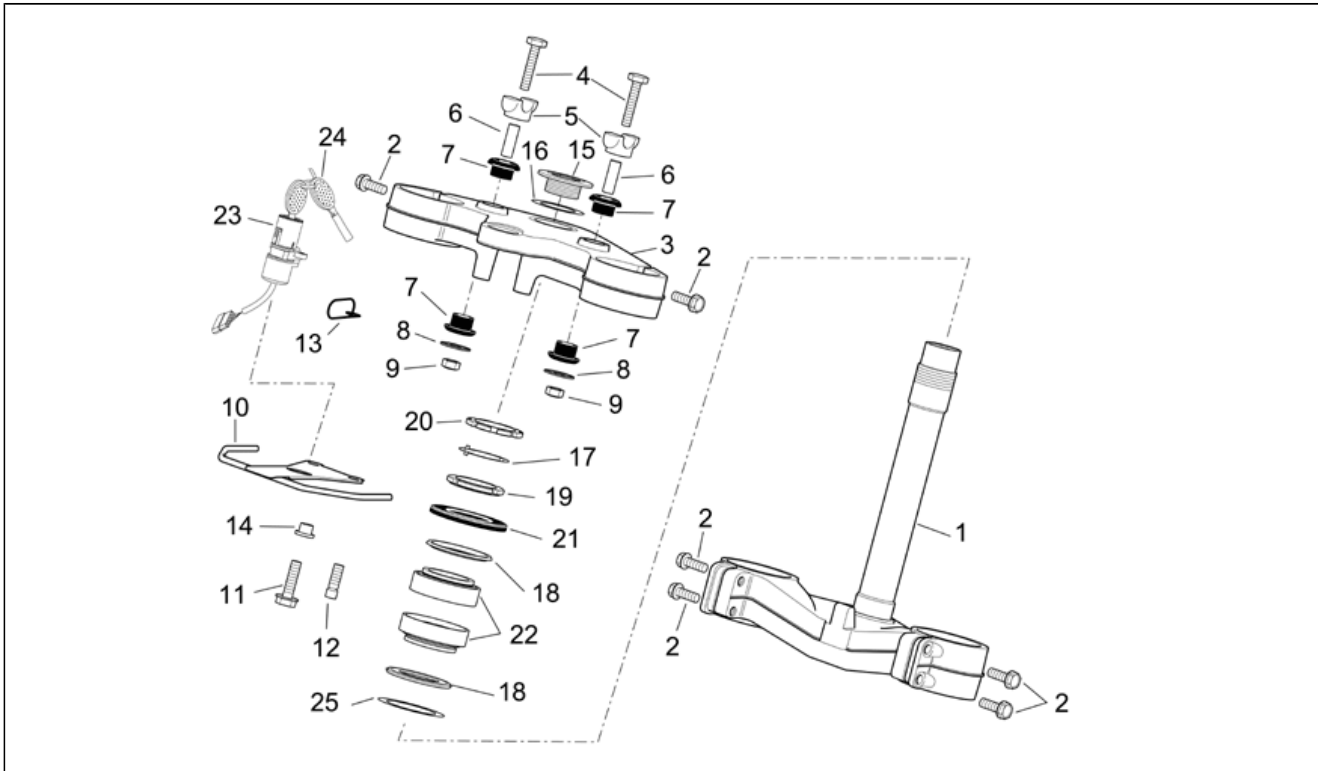
Pos.	Code	Description	Q.ty	Variants
1	AP8121928	Footrest return spring	2	
2	AP8152320	Screw w/ flange M10x30*	5	
3	AP8152409	Stop ring	4	
4	AP8121567	Pin	2	
5	AP8121566	Footrest pin	2	
6	AP8146045	Rear footrests, pair	1	
7	AP8112996	Brake light switch	1	
8	AP8146534	Front footrest, pair	1	
9	AP8146809	RH front footrest bracket	1	
10	AP8146563	LH front footrest bracket	1	Country:United States of America[USA]
10	AP8146867	LH front footrest bracket	1	Country:Australia[AA], Ireland[EI], DK, E, I[EU], Great Britain[UK]
11	AP8146475	RH footrest support	1	
12	AP8146476	LH footrest support	1	
13	AP8152288	Screw w/ flange M8x30*	2	
14	AP8152300	Self-locking nut M8*	4	
15	AP8134838	Footrest pin	2	

Assembly	FRAME
Code	28.04
Description	Central stand
Revision	1



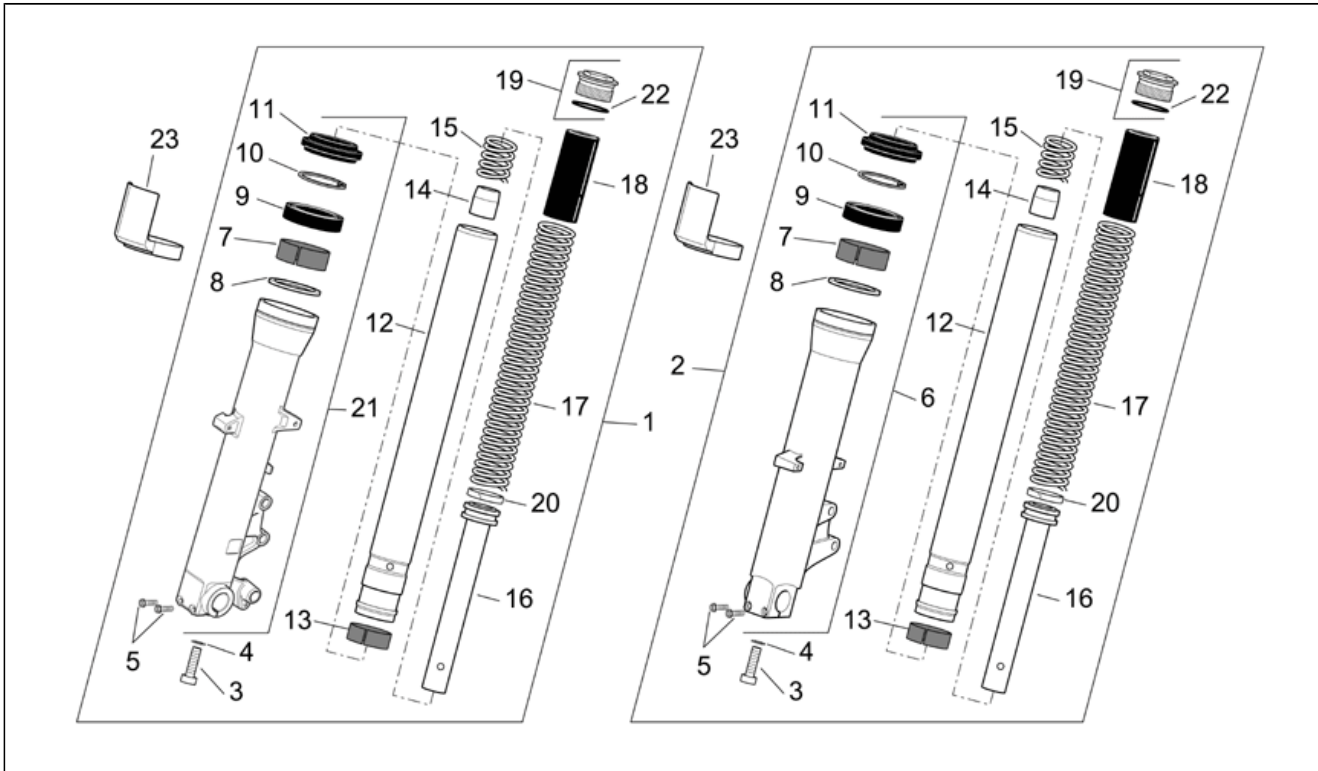
Pos.	Code	Description	Q.ty	Variants
1	AP8102524	Stand spring protection	1	
2	AP8221211	Internal lateral stand spring	1	
3	AP8221204	Lateral stand spring	1	
4	AP8124977	Rotary switch	1	
5	AP8150015	Washer 6,6x18x1,6*	1	
6	AP8152279	Screw w/ flange M6x20	1	
7	AP8121607	Central stand fixing screw	1	Country: United States of America[USA]
7	AP8121994	Central stand fixing screw	1	Country: Australia[AA], Ireland[EI], DK, E, I[EU], Great Britain[UK]
8	AP8150292	Curved spring washer *	1	
9	AP8152001	Low nut M10x1,25*	1	
10	AP8146626	Lateral stand	1	Country: United States of America[USA]
10	AP8146866	Lateral stand	1	Country: Australia[AA], Ireland[EI], DK, E, I[EU], Great Britain[UK]

Assembly	FRAME
Code	28.05
Description	Steering
Revision	1



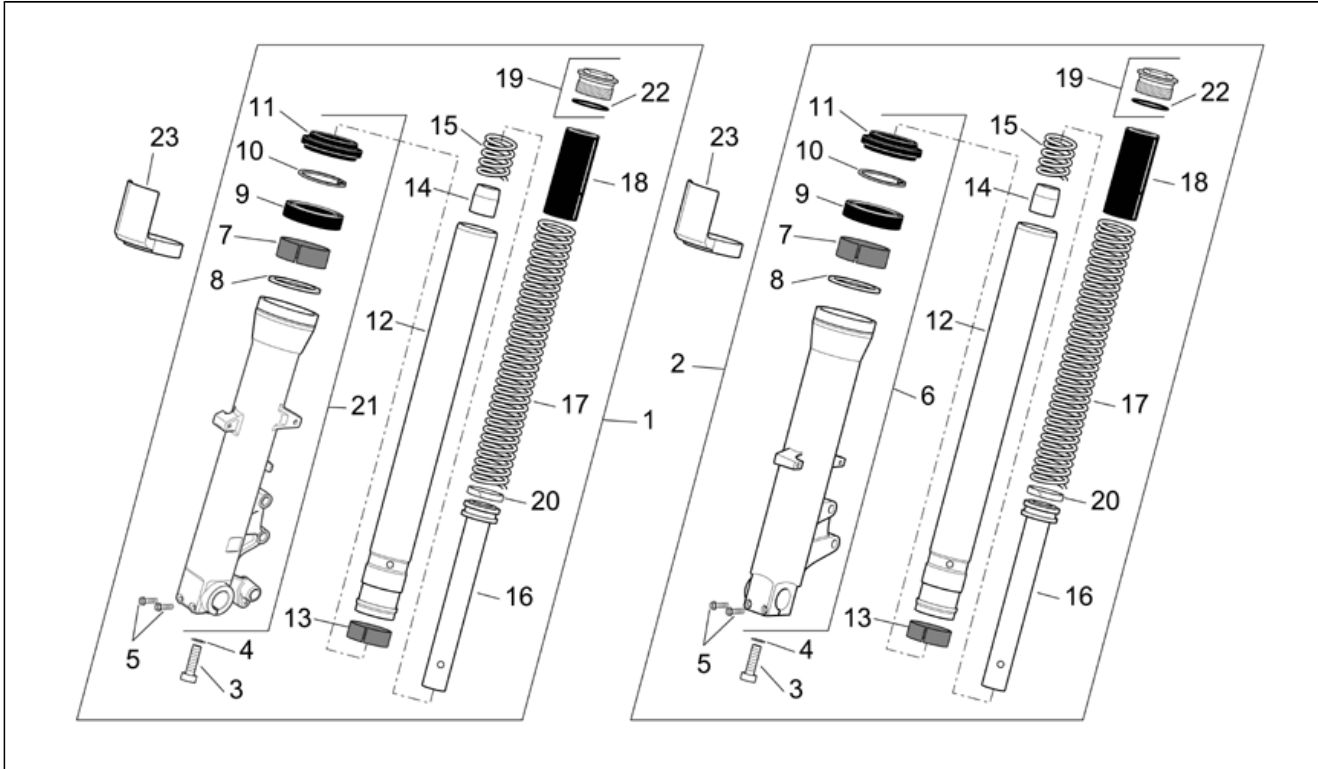
Pos.	Code	Description	Q.ty	Variants
1	AP8123884	Stem base	1	
2	AP8152289	Screw w/ flange M8x35*	6	
3	AP8123883	Fork upper plate	1	
4	AP8123513	Screw	2	
5	AP8123886	U-bolt	2	
6	AP8121549	Spacer	2	
7	AP8144222	Rubber spacer	4	
8	AP8123511	Cup	2	
9	AP8123512	Nut	2	
10	AP8139797	Steering lock cover	1	
11	AP8152288	Screw w/ flange M8x30*	1	
12	AP8152229	Self-locking nut	1	
13	AP8120428	Cable-guide	1	
14	AP8121678	Bush	1	
15	AP8121205	Upper plate fixing bush	1	
16	AP8152384	Stem plug washer	1	
17	AP8121207	Steering security plate	1	
18	AP8123641	Dust cover ring	2	
19	AP8123642	Ring nut	1	
20	AP8123643	Return ring nut	1	
21	AP8123644	Dust cover ring	1	
22	AP8110077	Axial ball bearing	2	
23	AP8104941	Main switch - steering lock	1	Country:United States of America[USA]
23	AP8124895	Main switch - steering lock	1	Country:Australia[AA], Ireland[EI], DK, E, I[EU], Great Britain[UK]
24	AP8104613	"Aprilia" key w/out transpo.	1	
25	AP8121454	Washer	1	

Assembly	FRAME
Code	28.06
Description	Front fork
Revision	1



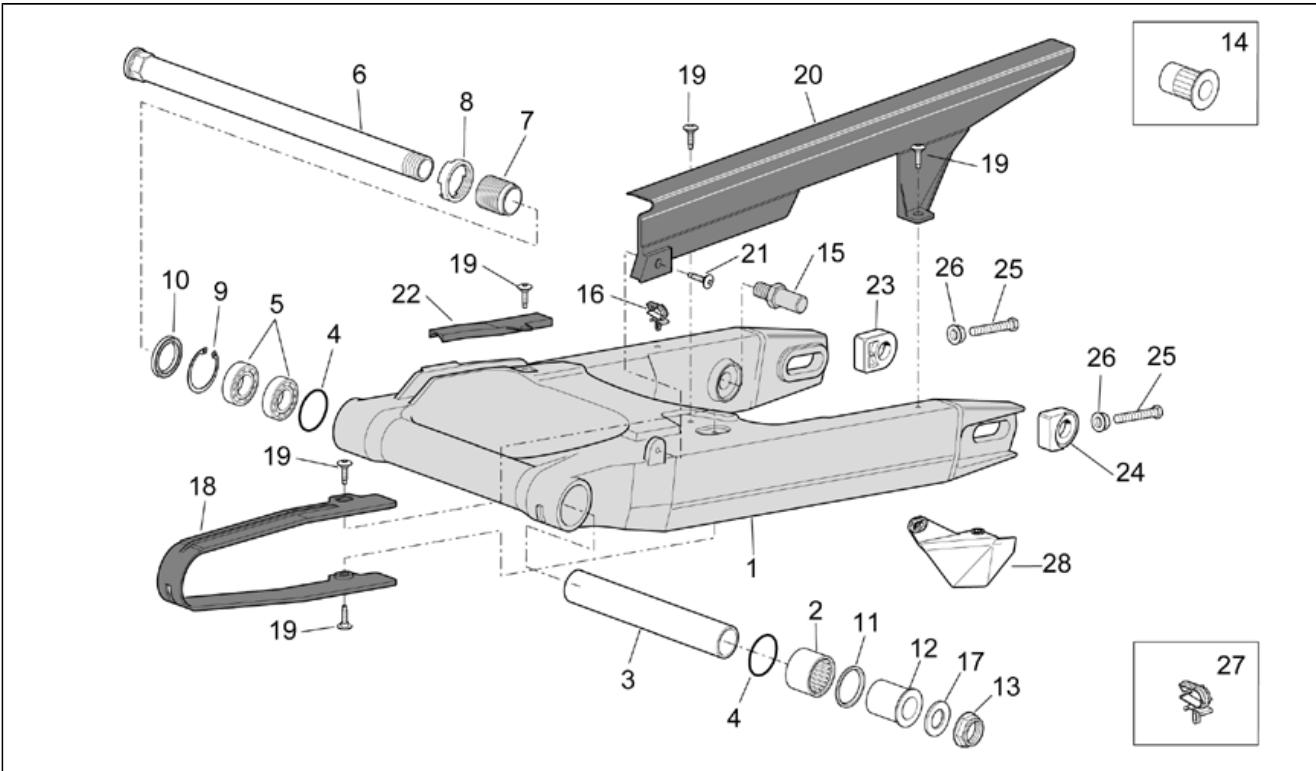
Pos.	Code	Description	Q.ty	Variants
1	AP8163335	RH hub	1	Technical Specifications: ABS brake system ETV Capo Nord Version[abs]
1	AP8163371	RH hub	1	Technical Specifications: ETV Capo Nord Standard Version[std]
2	AP8163336	LH hub	1	
3	AP8203200	Hex socket screw m10x30	2	
4	AP8123206	Seal washer	2	
5	AP8163066	Screw w/ flange M6x35	4	
6	AP8163067	LH sleeve	1	
7	AP8163068	Bush	2	
8	AP8163069	Ring	2	
9	AP8163070	Oil seal	2	
10	AP8163071	Stop ring	2	
11	AP8163072	Dust cover	2	
12	AP8163073	Sleeve	2	
13	AP8163074	Bush	2	
14	AP8163075	Stroke limit stop	2	
15	AP8163076	Return spring	2	
16	AP8163077	Shock absorber	2	
17	AP8163078	Spring	2	Technical Specifications: ETV Capo Nord Standard Version[std]
17	AP8163341	Spring	2	Technical Specifications: ABS brake system ETV Capo Nord Version[abs]
18	AP8163079	Spacer 43x3x130	2	Technical Specifications: ETV Capo Nord Standard Version[std]
18	AP8163447	Spacer 43x3x135	2	Technical Specifications: ABS brake system ETV Capo Nord Version[abs]
19	AP8163080	Plug	2	
20	AP8163081	Ring	2	

Assembly	FRAME
Code	28.06
Description	Front fork
Revision	1



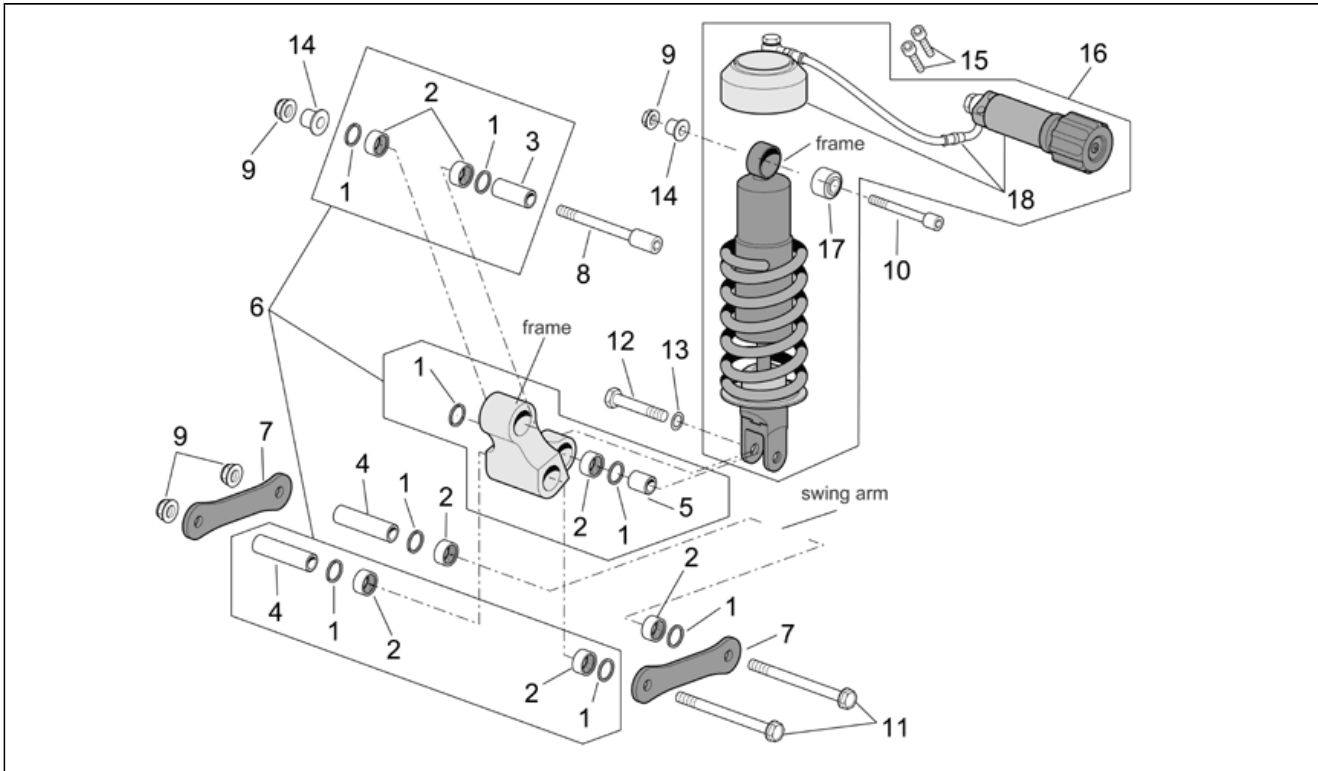
Pos.	Code	Description	Q.ty	Variants
21	AP8163082	RH sleeve	1	Technical Specifications: ETV Capo Nord Standard Version[std]
21	AP8163446	RH sleeve	1	Technical Specifications: ABS brake system ETV Capo Nord Version[abs]
22	AP8163083	O-ring	2	
23	AP8126870	Sleeve protection	2	

Assembly	FRAME
Code	28.07
Description	Swing arm
Revision	1



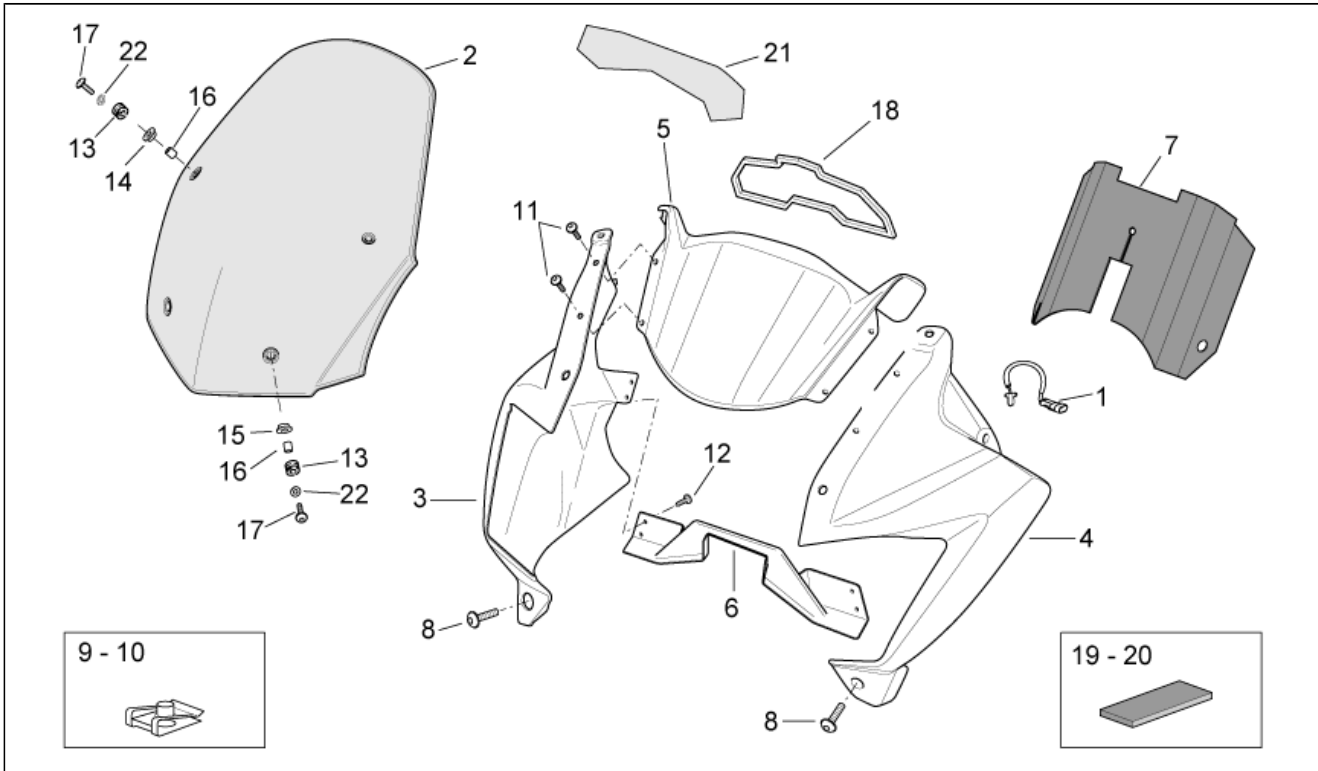
Pos.	Code	Description	Q.ty	Variants
1	AP8146876	Swing arm	1	
2	AP8110066	Needle bearing	1	
3	AP8121202	Internal spacer	1	
4	AP8144048	O-ring 134	2	
5	AP8110079	Ball bearing	2	
6	AP8135923	Rear swing arm pin	1	
7	AP8121200	Adjustment bush	1	
8	AP8121201	Swing arm ring nut	1	
9	AP8121204	Inside circlip d37	1	
10	AP8144006	Gasket ring	1	
11	AP8144005	Gasket ring	1	
12	AP8121203	Rear int.sw.arm piv.bush	1	
13	AP8125763	Rear wheel spindle nut	1	
14	AP8104390	Threaded rivet M5	1	
15	AP8146388	Brake supp. plate pin	1	
16	AP8221310	Cable-guide	1	
17	AP8125687	Wheel pin washer	1	
18	AP8144168	Chain guide plate	1	
19	AP8152302	Screw w/ flange M5x12	5	
20	AP8139631	Chain guard	1	
21	AP8152339	Screw w/ flange M5x9	1	
22	AP8134676	Clamp	1	
23	AP8144220	RH chain guide plate	1	
24	AP8144221	LH chain guide plate	1	
25	AP8152305	Chain tens.adjuster screw	2	
26	AP8150334	Nut	2	
27	AP8121661	Cable-guide	1	
28	AP8144321	Chain guide plate	1	Country: United States of America[USA]

Assembly	FRAME
Code	28.08
Description	Connecting rod and shock absorber
Revision	1



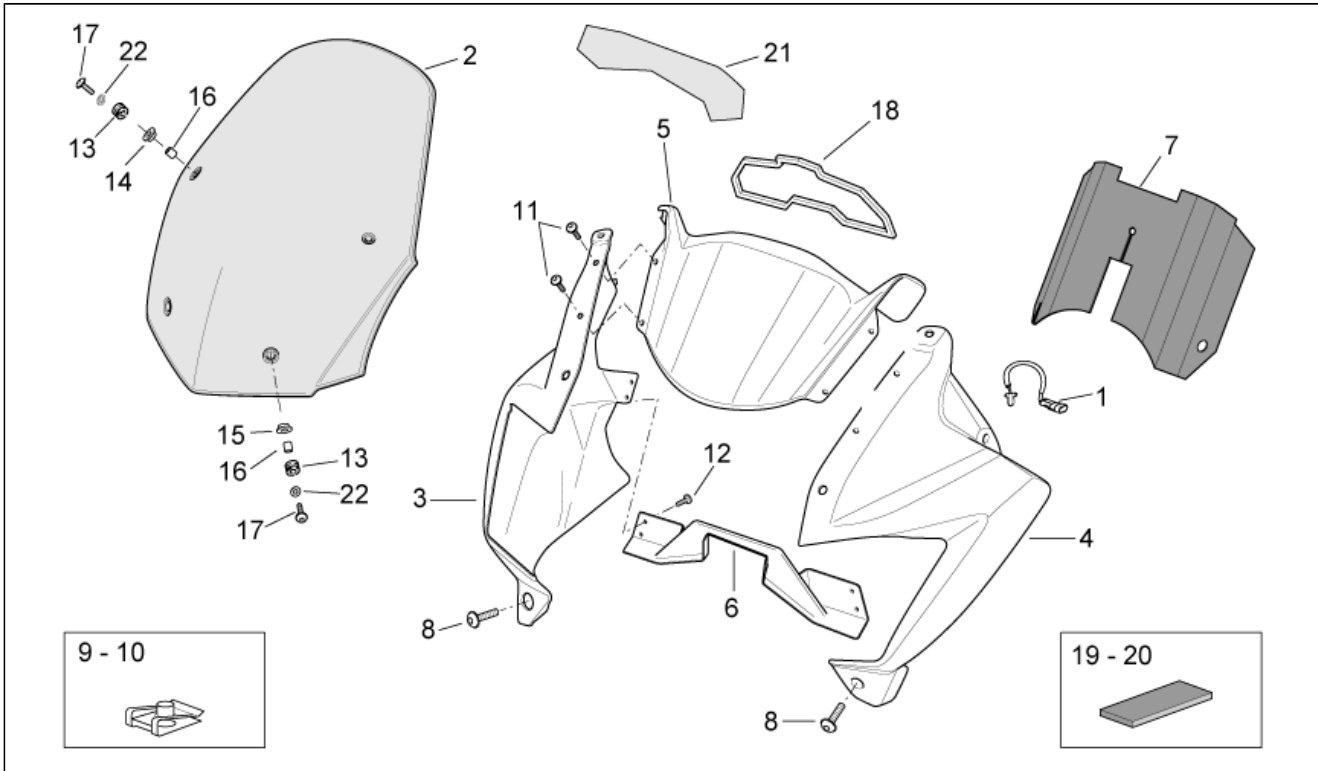
Pos.	Code	Description	Q.ty	Variants
1	AP8110068	Oil seal D18x24x3	8	
2	AP8110066	Needle bearing	7	
3	AP8135924	Double connecting rod pin L40	1	
4	AP8121315	Double connecting rod pin	2	
5	AP8135608	Double connecting rod pin L25	1	
6	AP8146192	Double conrod	1	
7	AP8146193	Single conrod	2	
8	AP8152397	Hex socket screw M10x82	1	
9	AP8152301	Self-locking nut M10*	4	
10	AP8150458	Hex socket screw M10x63	1	
11	AP8152396	Screw w/ flange M10x95	2	
12	AP8152147	Hex screw M10x47	1	
13	AP8150292	Curved spring washer *	1	
14	AP8121155	T bush *	2	
15	AP8150165	Hex socket screw	2	
16	AP8163378	Shock absorber	1	
17	AP8144466	Silent-block	1	
18	AP8163084	Preload	1	

Assembly	FRAME
Code	28.09
Description	Front body I
Revision	1



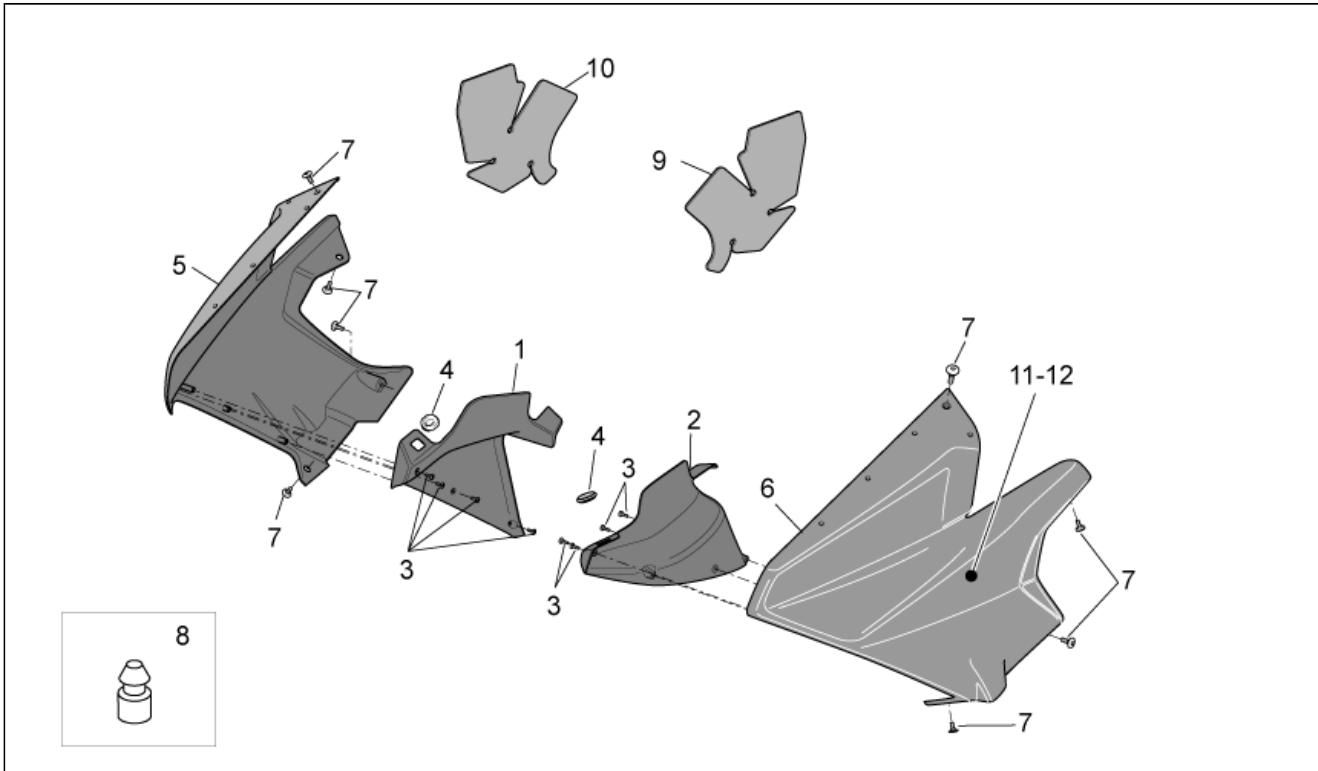
Pos.	Code	Description	Q.ty	Variants
1	AP8124936	Air temp. Sensor	1	
2	AP8178368	Windshield	1	Country: Ireland[EI], DK, E, I[EU], Great Britain[UK]
2	AP8179135	Windshield	1	Country: Australia[AA], United States of America[USA]
3	AP8178395	RH windshield, blue	1	year: 2004[4] Color: Hilton Blue 2004[h.blu]
3	AP8178407	RH windshield, grey	1	year: 2004[4] Color: Dust Grey 2004[d.grey]
3	AP8178420	RH windshield, grey	1	year: 2004[4], 2005[5] Color: Titan Grey 2004-2005[t.grey]
3	AP8178980	RH windshield, black	1	year: 2005[5], 2006[6] Color: Aprilia black 2005-2006 (s.t.14761)[a.blk]
3	AP8179374	RH windshield, grey	1	year: 2006[6], 2007[7] Color: Venice White 2006 (s.t.15105)[v.white]
4	AP8178396	LH windshield, blue	1	year: 2004[4] Color: Hilton Blue 2004[h.blu]
4	AP8178408	LH windshield, grey	1	year: 2004[4] Color: Dust Grey 2004[d.grey]
4	AP8178422	LH windshield, grey	1	year: 2004[4], 2005[5] Color: Titan Grey 2004-2005[t.grey]
4	AP8178981	LH windshield, black	1	year: 2005[5], 2006[6] Color: Aprilia black 2005-2006 (s.t.14761)[a.blk]
4	AP8179375	LH windshield, grey	1	year: 2006[6], 2007[7] Color: Venice White 2006 (s.t.15105)[v.white]
5	AP8178424	Protection	1	
6	AP8178369	Top cover	1	Technical Specifications: ABS brake system ETV Capo Nord Version[abs]
6	AP8178418	Top cover	1	Technical Specifications: ETV Capo Nord Standard Version[std]
7	AP8168916	Dashboard lockup extension	1	
8	AP8152302	Screw w/ flange M5x12	4	
9	AP8201763	Screw clip D5,5*	6	

Assembly	FRAME
Code	28.09
Description	Front body I
Revision	1



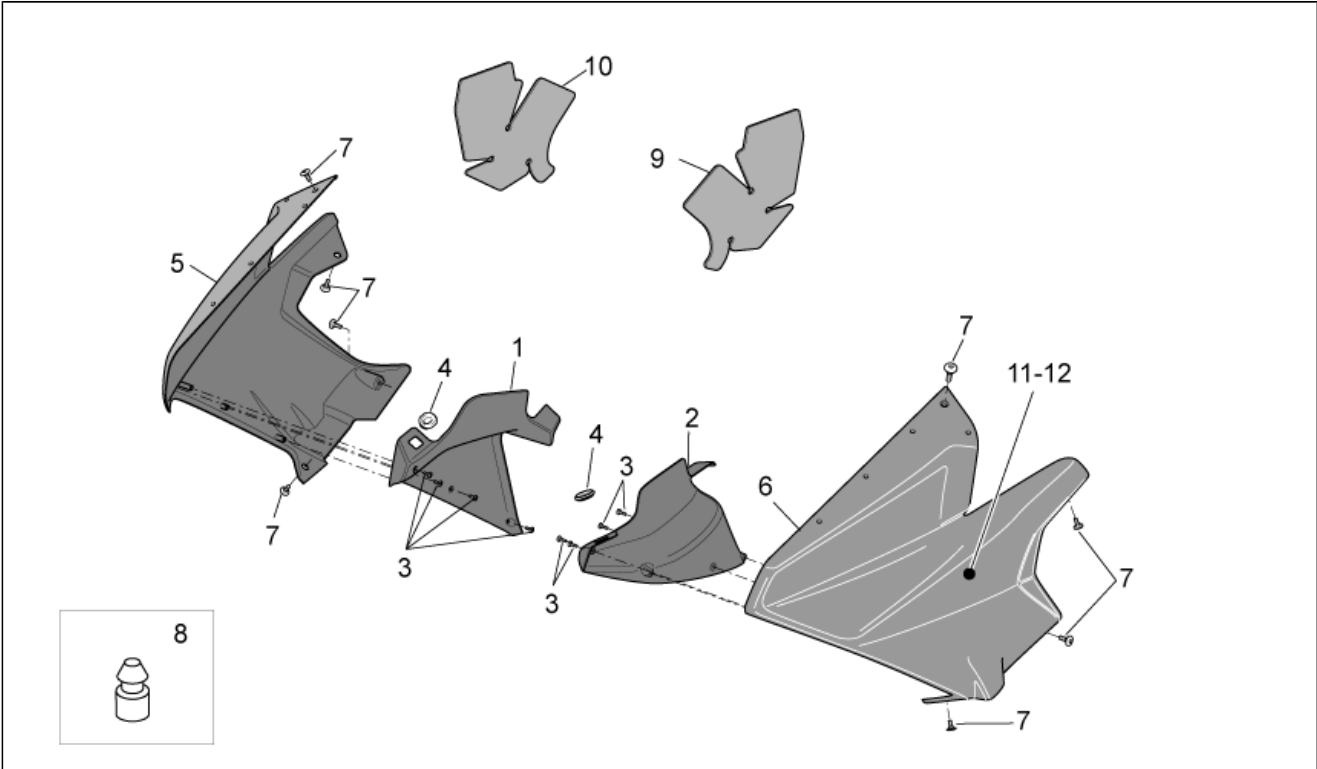
Pos.	Code	Description	Q.ty	Variants
10	AP8102381	Clip M4	4	
11	AP8152339	Screw w/ flange M5x9	4	
12	AP8150493	Hex socket screw M4x16	4	
13	AP8120223	Rubber spacer *	4	
14	AP8121790	T bush *	2	Country: Australia[AA], Ireland[EI], DK, E, I[EU], Great Britain[UK]
15	AP8121032	Bush	2	
16	AP8120313	Spacer H11,5	4	Country: Australia[AA], Ireland[EI], DK, E, I[EU], Great Britain[UK]
16	AP8221007	Spacer 6,5X10X11*	4	Country: United States of America[USA]
17	AP8152338	Screw w/ flange M5x20	4	Country: Australia[AA], Ireland[EI], DK, E, I[EU], Great Britain[UK]
17	AP8225369	Hex socket screw m5x35	4	Country: United States of America[USA]
18	AP8144617	Gasket	1	
19	AP8117033	Adhesive sponge	1	
20	AP8117041	Adhesive sponge 6x30	1	
21	AP8178370	Front lockup	1	
22	AP8150248	Washer 5,5x15x1,6	4	

Assembly	FRAME
Code	28.10
Description	Front body II
Revision	1



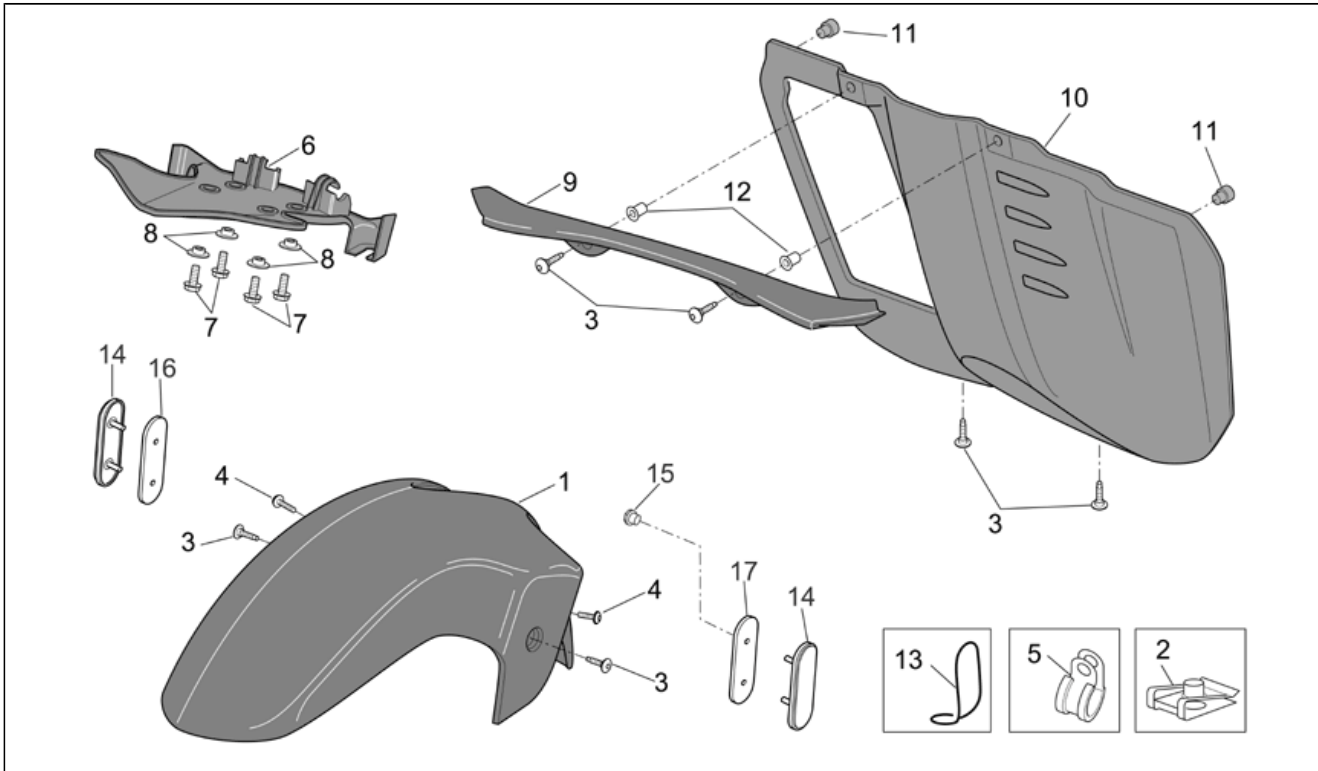
Pos.	Code	Description	Q.ty	Variants
1	AP8149293	RH air duct	1	
2	AP8149294	LH air duct	1	
3	AP8150444	Self-tapping screw	8	
4	AP8220162	Rubber spacer	2	
5	AP8178393	RH lat.fairing, blue	1	year: 2004[4] Color:Hilton Blue 2004[h.blu]
5	AP8178405	RH lat.fairing, grey	1	year: 2004[4] Color:Dust Grey 2004[d.grey]
5	AP8178426	RH lat.fairing, grey	1	year: 2004[4], 2005[5] Color:Titan Grey 2004-2005[t.grey]
5	AP8178978	RH lat.fairing, black	1	year: 2005[5], 2006[6] Color:Aprilia black 2005-2006 (s.t.14761)[a.blk]
5	AP8179382	RH side fairing, white	1	year: 2006[6], 2007[7] Color: Venice White 2006 (s.t.15105)[v.white] Technical Specifications:Without decals applied[ND]
6	AP8178394	LH lat.fairing, blue	1	year: 2004[4] Color:Hilton Blue 2004[h.blu]
6	AP8178406	LH lat.fairing, grey	1	year: 2004[4] Color:Dust Grey 2004[d.grey]
6	AP8178427	LH lat.fairing, grey	1	year: 2004[4], 2005[5] Color:Titan Grey 2004-2005[t.grey]
6	AP8178979	LH lat.fairing, black	1	year: 2005[5], 2006[6] Color:Aprilia black 2005-2006 (s.t.14761)[a.blk]
6	AP8179383	LH side fairing, white	1	year: 2006[6], 2007[7] Color: Venice White 2006 (s.t.15105)[v.white] Technical Specifications:Without decals applied[ND]
7	AP8152339	Screw w/ flange M5x9	8	
8	AP8104716	Plug	1	
9	AP8117205	LH heat protection	1	
10	AP8117206	RH heat protection	1	
11	AP8166788	Sticker RH Caponord	1	year: 2006[6], 2007[7]

Assembly	FRAME
Code	28.10
Description	Front body II
Revision	1



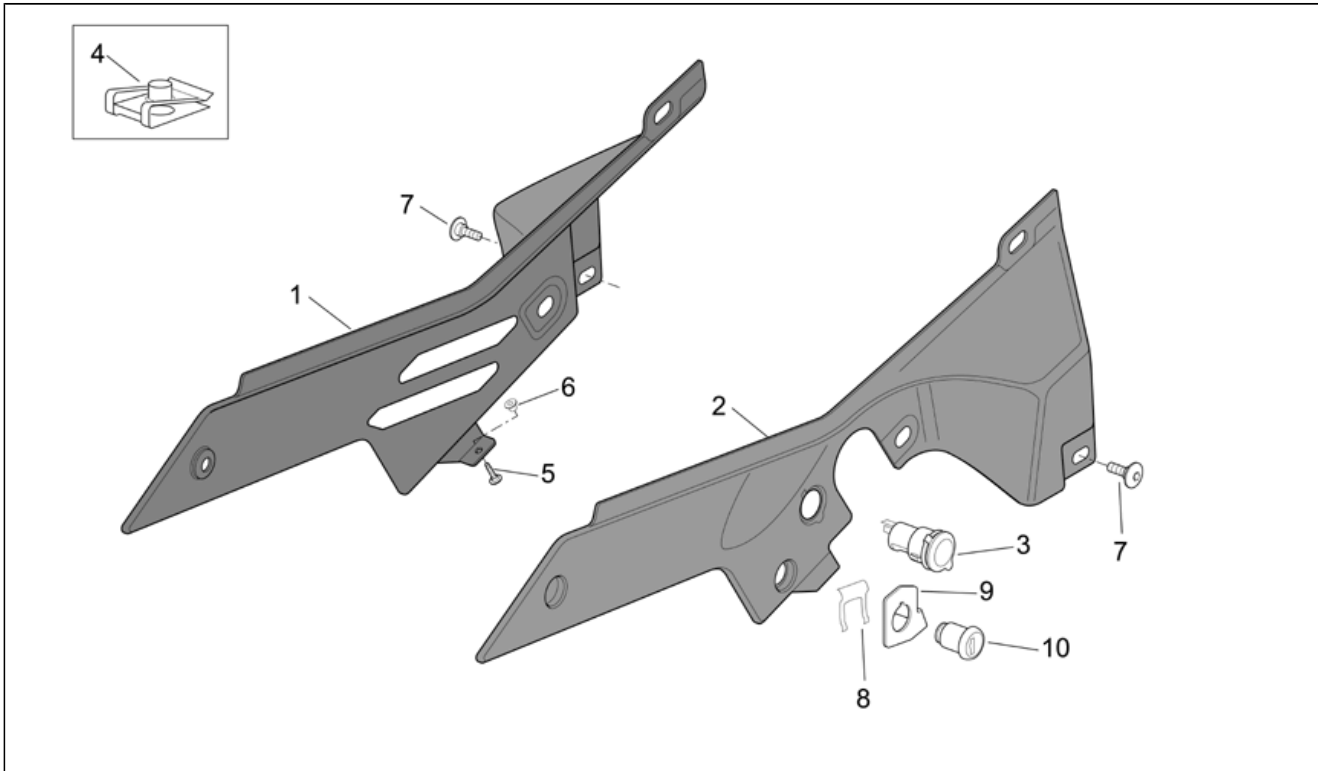
Pos.	Code	Description	Q.ty	Variants
				Color:Venice White 2006 (s.t.15105)[v.white]
12	AP8166789	Sticker LH Caponord	1	year: 2006[6], 2007[7] Color:Venice White 2006 (s.t.15105)[v.white]

Assembly	FRAME
Code	28.11
Description	Front body III
Revision	1



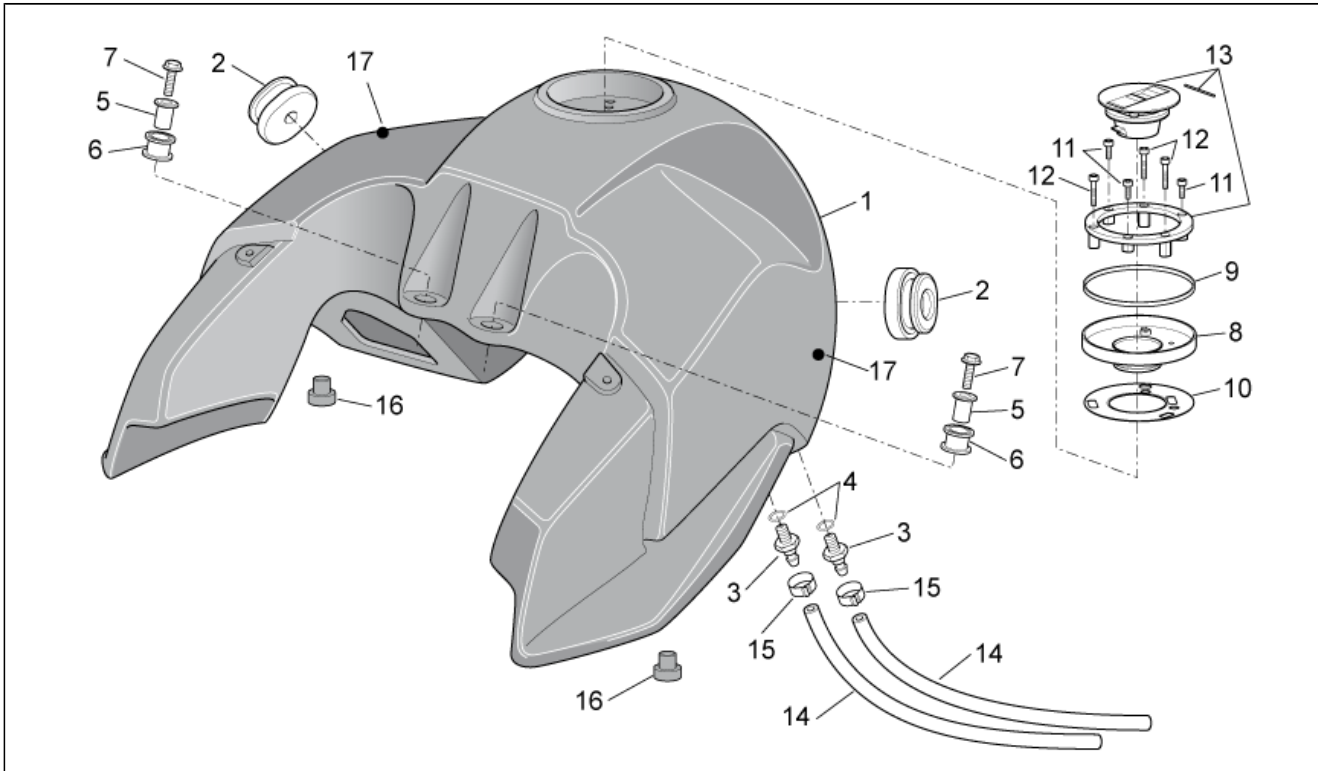
Pos.	Code	Description	Q.ty	Variants
1	AP8126997	Front mudguard	1	Country:Australia[AA], Ireland[EI], DK, E, I[EU], Great Britain[UK]
1	AP8126998	Front mudguard	1	Country:United States of America[USA]
2	AP8102375	Clip M5	8	
3	AP8152302	Screw w/ flange M5x12	6	
4	AP8152275	Screw w/ flange M5x25*	2	
5	AP8134167	Brake hose hanger	2	
6	AP8149292	Low.fairing, black	1	
7	AP8152279	Screw w/ flange M6x20	4	
8	AP8221145	T bush *	4	
9	AP8139628	Cooler spoiler, grey	1	
10	AP8134552	Sump guard, grey	1	Country:Australia[AA], Ireland[EI], DK, E, I[EU], Great Britain[UK]
10	AP8158632	Sump guard, grey	1	Country:United States of America[USA]
11	AP8120712	Rubber spacer	2	
12	AP8121032	Bush	2	
13	AP8221150	Cable-guide	1	
14	AP8124719	Reflector, amber	2	Country:United States of America[USA]
15	AP8121575	Nut	4	Country:United States of America[USA]
16	AP8148588	RH Front reflector support	1	Country:United States of America[USA]
17	AP8148589	LH Front reflector support	1	Country:United States of America[USA]

Assembly	FRAME
Code	28.12
Description	Central body
Revision	1



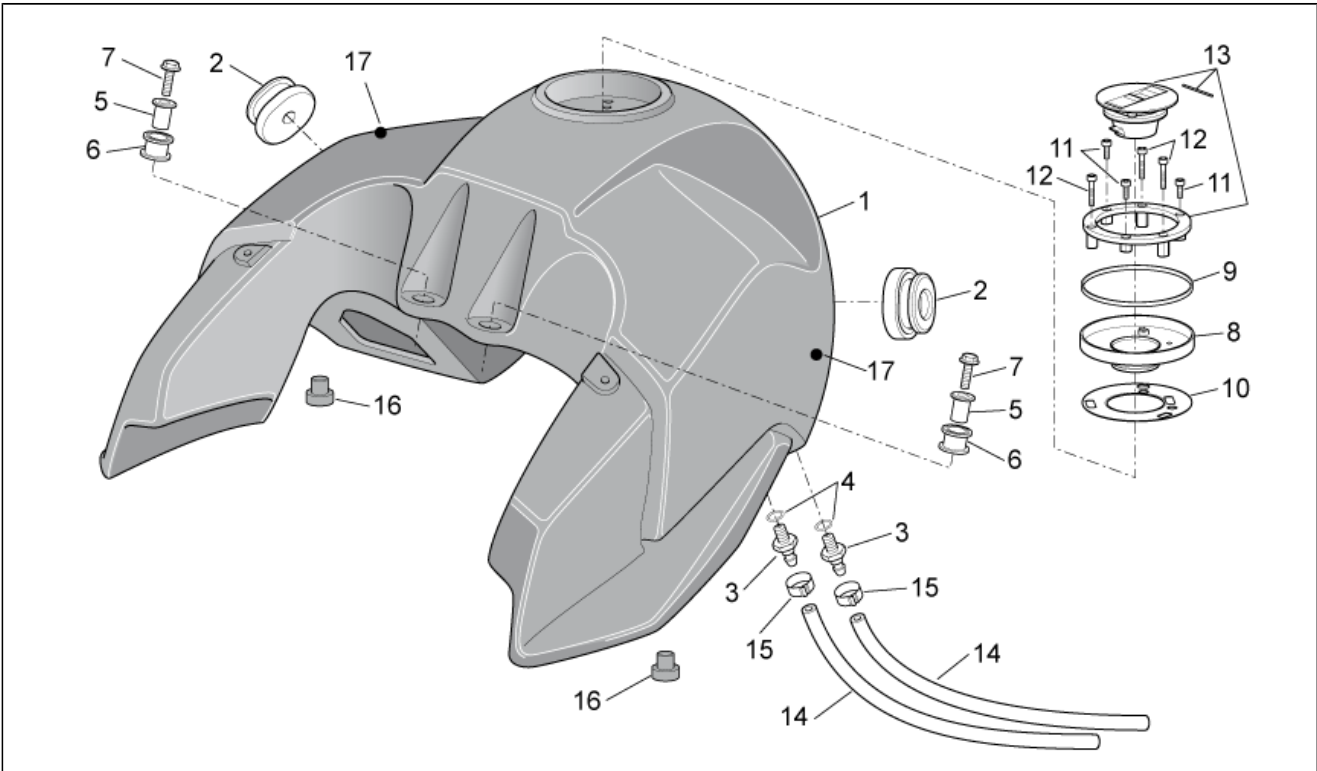
Pos.	Code	Description	Q.ty	Variants
1	AP8178401	RH side panel, blue	1	year: 2004[4] Color:Hilton Blue 2004[h.blu]
1	AP8178413	RH side panel, grey	1	year: 2004[4] Color:Dust Grey 2004[d.grey]
1	AP8178432	RH side panel, grey	1	year: 2004[4], 2005[5] Color:Titan Grey 2004-2005[t.grey]
1	AP8178984	RH side panel, grey	1	year: 2005[5], 2006[6] Color:Aprilia black 2005-2006 (s.t.14761)[a.blk]
1	AP8179378	RH side panel, grey	1	year: 2006[6], 2007[7] Color:Venice White 2006 (s.t.15105)[v.white]
2	AP8178402	LH side panel, blue	1	year: 2004[4] Color:Hilton Blue 2004[h.blu]
2	AP8178414	LH side panel, grey	1	year: 2004[4] Color:Dust Grey 2004[d.grey]
2	AP8178433	LH side panel, grey	1	year: 2004[4], 2005[5] Color:Titan Grey 2004-2005[t.grey]
2	AP8178985	LH side panel, grey	1	year: 2005[5], 2006[6] Color:Aprilia black 2005-2006 (s.t.14761)[a.blk]
2	AP8179379	LH side panel, grey	1	year: 2006[6], 2007[7] Color:Venice White 2006 (s.t.15105)[v.white]
3	AP8124768	Socket	1	
4	AP8102375	Clip M5	2	
5	AP8152246	Screw w/ flange	2	
6	AP8121032	Bush	2	
7	AP8152302	Screw w/ flange M5x12	6	
8	AP8121420	Fork spring	1	
9	AP8134618	Cable fixing plate	1	
10	AP8104154	Saddle lock	1	

Assembly	FRAME
Code	28.13
Description	Fuel tank
Revision	1



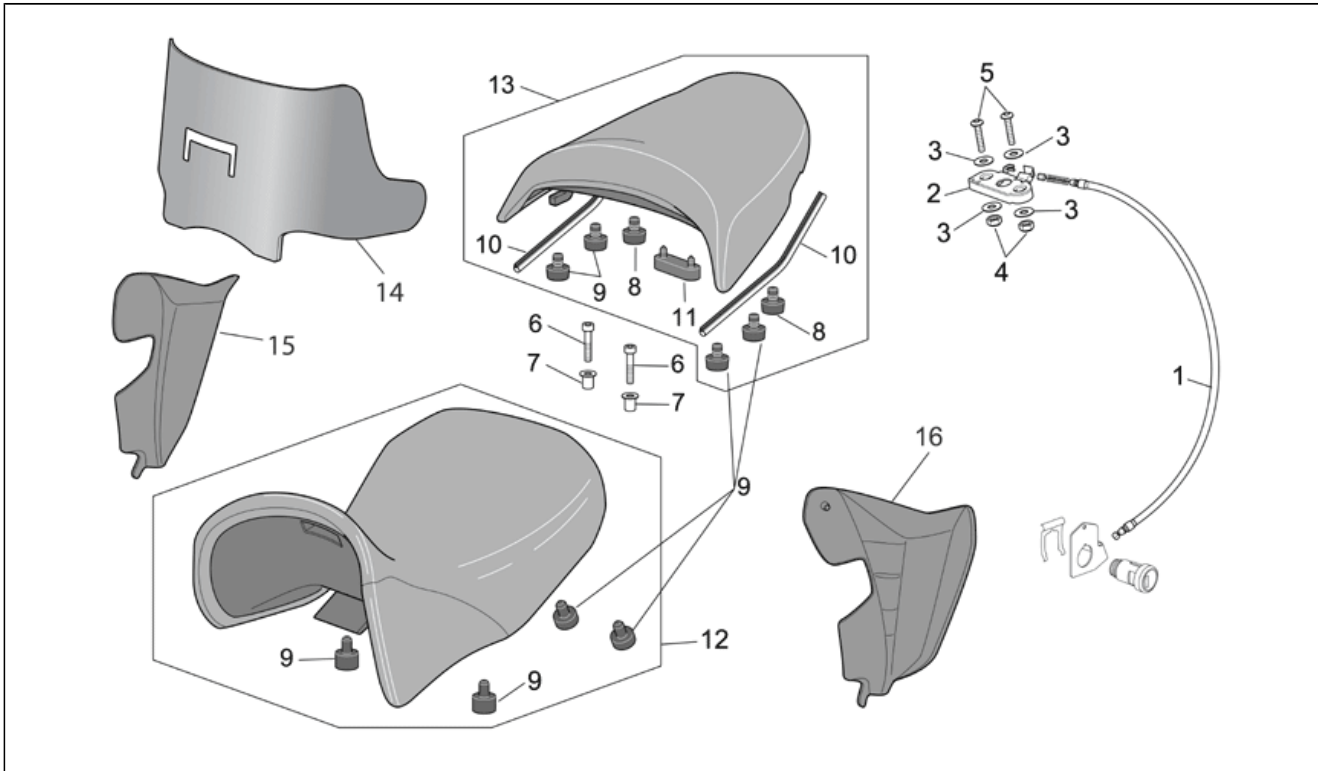
Pos.	Code	Description	Q.ty	Variants
1	AP8178391	Fuel tank, blue	1	year: 2004[4] Color:Hilton Blue 2004[h.blu]
1	AP8178403	Fuel tank, grey	1	year: 2004[4] Color:Dust Grey 2004[d.grey]
1	AP8178425	Fuel tank, grey	1	year: 2004[4], 2005[5] Color:Titan Grey 2004-2005[t.grey]
1	AP8178977	Fuel tank, black/grey	1	year: 2005[5] Color: Aprilia black 2005-2006 (s.t.14761)[a.blk] Country:Australia[AA], Ireland[EI], DK, E, I[EU], Great Britain[UK]
1	AP8179134	Fuel tank, black/grey	1	year: 2006[6] Color: Aprilia black 2005-2006 (s.t.14761)[a.blk] Country:United States of America[USA]
1	AP8179370	Fuel tank, white/grey	1	year: 2006[6] Color: Venice White 2006 (s.t.15105)[v.white] Country: Australia[AA], Ireland[EI], DK, E, I[EU], Great Britain[UK] Technical Specifications:With decals applied[D]
1	AP8179371	Fuel tank, white/grey	1	year: 2006[6], 2007[7] Color: Venice White 2006 (s.t.15105)[v.white] Country: United States of America[USA] Technical Specifications:With decals applied[D]
2	AP8144350	Rubber spacer	2	
3	AP8102503	Hose holder union	2	
4	AP8120965	O-ring 2018	2	
5	AP8121421	T bush	2	
6	AP8144328	Rubber spacer	2	
7	AP8152281	Screw w/ flange	2	
8	AP8102535	Float chamber	1	
9	AP8120893	Cap seal	1	
10	AP8120894	Fuel tank gasket	1	Country:Australia[AA], Ireland[EI], DK, E, I[EU], Great Britain[UK]

Assembly	FRAME
Code	28.13
Description	Fuel tank
Revision	1



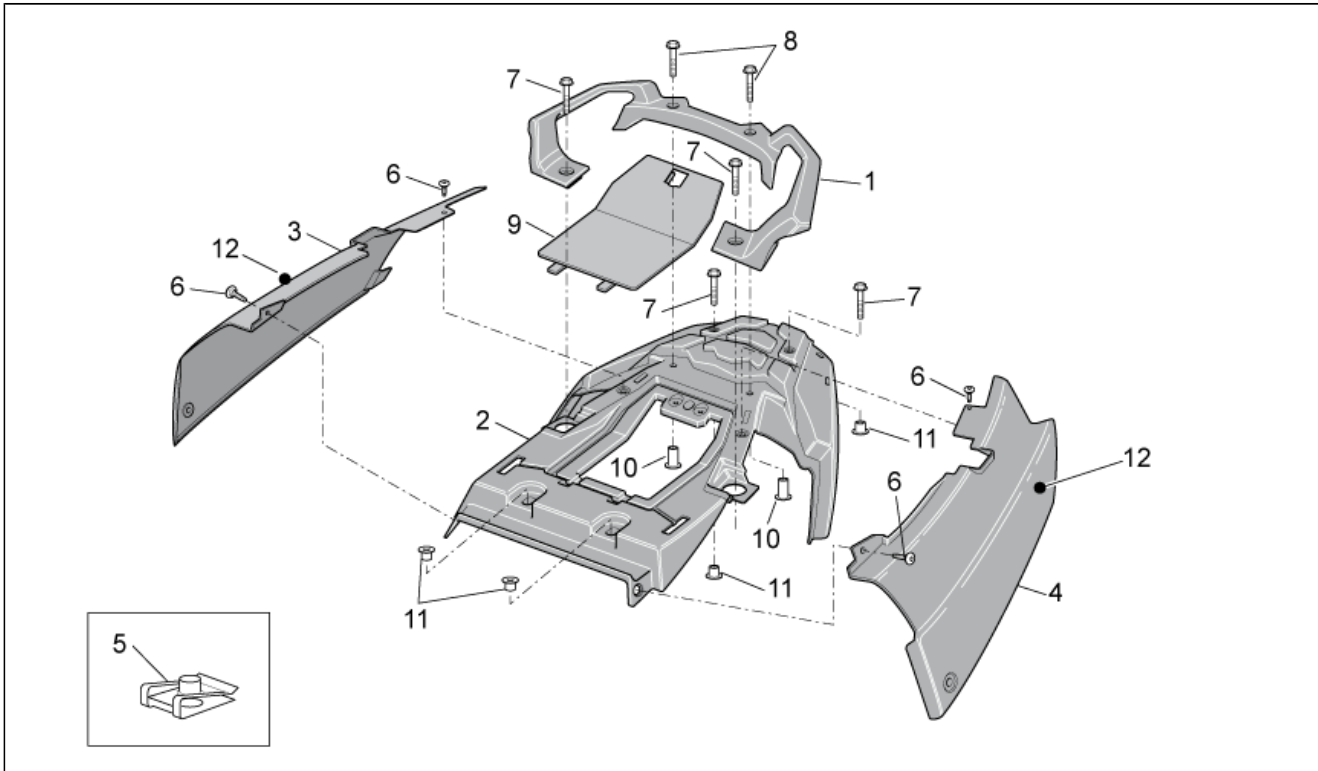
Pos.	Code	Description	Q.ty	Variants
10	AP8144351	Fuel tank gasket	1	Country:United States of America[USA]
11	AP8150454	Hex socket screw M5x16	4	
12	AP8150453	Hex socket screw M5x30	3	
13	AP8104529	Fuel filler cap	1	
14	AP8220263	Breather pipe 4x8	2	
15	AP8201225	Hose clip D8,5x5,5	2	
16	AP8144158	Rubber spacer	2	
17	AP8166791	Decal	2	year: 2006[6], 2007[7] Color:Venice White 2006 (s.t.15105)[v.white]

Assembly	FRAME
Code	28.14
Description	Saddle
Revision	1



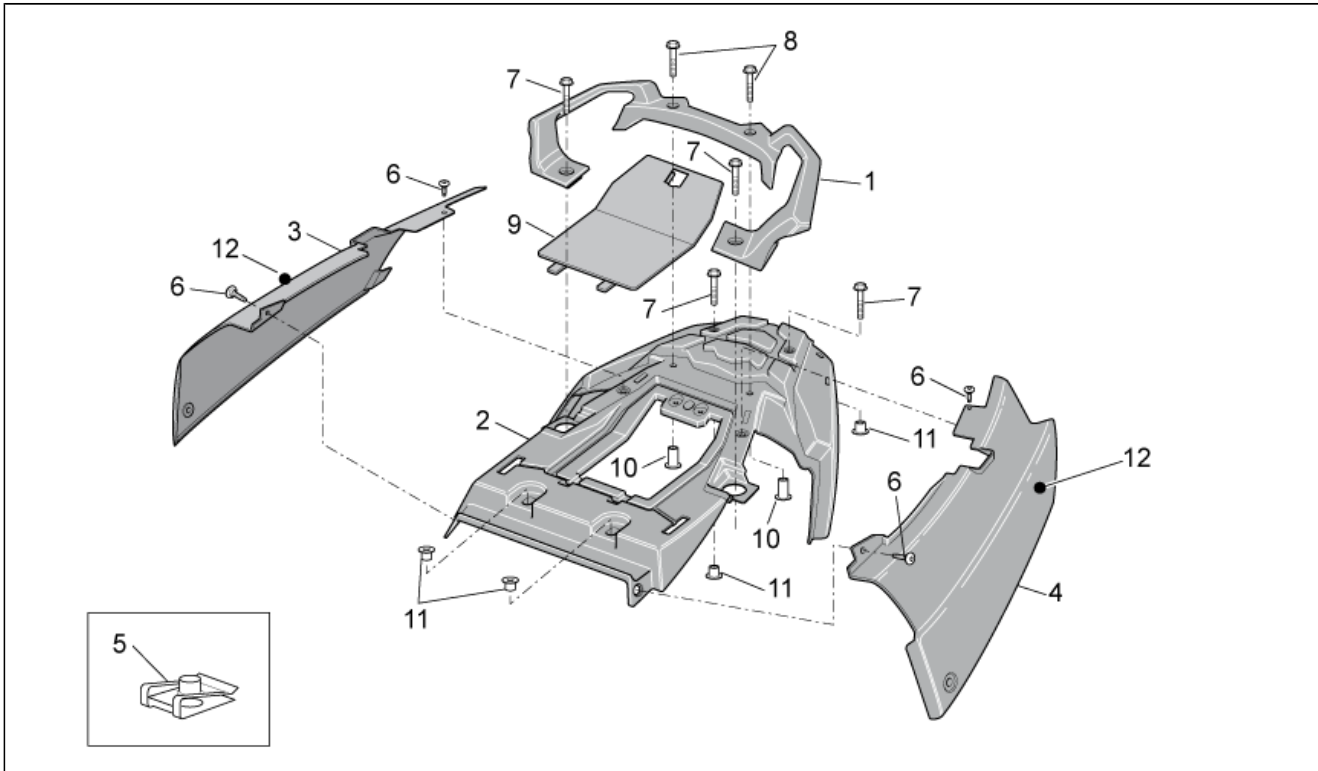
Pos.	Code	Description	Q.ty	Variants
1	AP8104345	Lock cable	1	
2	AP8102913	Pass.saddle connecting plate	1	
3	AP8150179	Washer 6,6x18*	4	
4	AP8150430	Low self-locking nut	2	
5	AP8152117	Hex socket screw	2	
6	AP8150285	Hex socket screw	2	
7	AP8121511	Bush	2	
8	AP8220349	Rubber spacer	2	
9	AP8220517	Saddle rubber	8	
10	AP8144461	Gasket	2	
11	AP8144462	Saddle rubber	1	
12	AP8129241	Driver saddle, black	1	
12	AP8129463	Driver saddle, blue	1	year: 2006[6], 2007[7] Color:Venice White 2006 (s.t.15105)[v.white]
13	AP8129251	Rear saddle, black	1	
13	AP8129464	Rear saddle, blue	1	year: 2006[6], 2007[7] Color:Venice White 2006 (s.t.15105)[v.white]
14	AP8117201	Heat protection	1	
15	AP8168317	RH baffle	1	
16	AP8168318	LH baffle	1	

Assembly	FRAME
Code	28.15
Description	Rear body
Revision	1



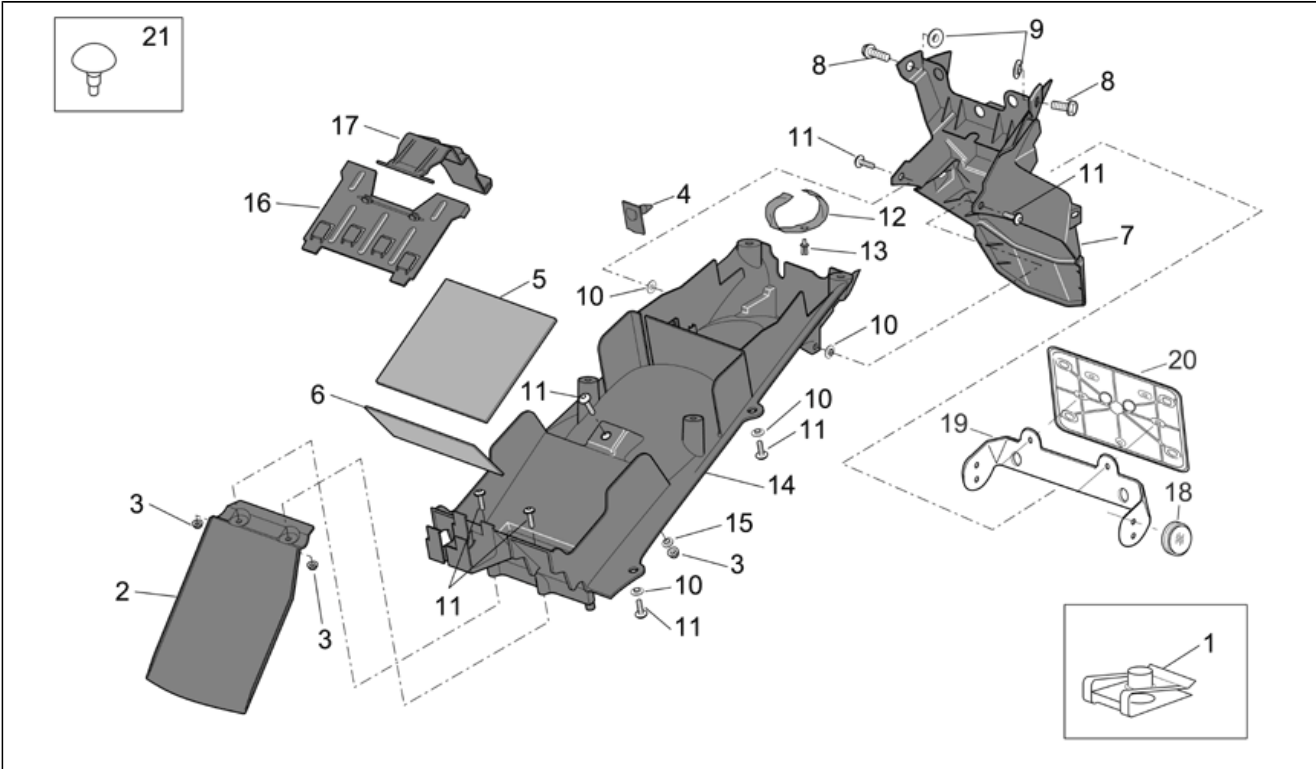
Pos.	Code	Description	Q.ty	Variants
1	AP8158887	Pillion grab bar	1	
2	AP8158886	Luggage rack, grey	1	
3	AP8178399	RH side panel, blue	1	year: 2004[4] Color:Hilton Blue 2004[h.blu]
3	AP8178411	RH side panel, grey	1	year: 2004[4] Color:Dust Grey 2004[d.grey]
3	AP8178430	RH side panel, grey	1	year: 2004[4], 2005[5] Color:Titan Grey 2004-2005[t.grey]
3	AP8178982	RH side panel, grey	1	year: 2005[5], 2006[6] Color:Aprilia black 2005-2006 (s.t.14761)[a.blk]
3	AP8179384	RH side panel, grey	1	year: 2006[6], 2007[7] Color: Venice White 2006 (s.t.15105)[v.white] Technical Specifications:Without decals applied[ND]
4	AP8178400	LH side panel, blue	1	year: 2004[4] Color:Hilton Blue 2004[h.blu]
4	AP8178412	LH side panel, grey	1	year: 2004[4] Color:Dust Grey 2004[d.grey]
4	AP8178431	LH side panel, grey	1	year: 2004[4], 2005[5] Color:Titan Grey 2004-2005[t.grey]
4	AP8178983	LH side panel, grey	1	year: 2005[5], 2006[6] Color:Aprilia black 2005-2006 (s.t.14761)[a.blk]
4	AP8179385	LH side panel, grey	1	year: 2006[6], 2007[7] Color: Venice White 2006 (s.t.15105)[v.white] Technical Specifications:Without decals applied[ND]
5	AP8102375	Clip M5	4	
6	AP8152302	Screw w/ flange M5x12	4	
7	AP8152287	Screw w/ flange M8x25*	4	
8	AP8152290	Screw w/ flange M8x40*	2	
9	AP8139630	Luggage rack cover, grey	1	
10	AP8121509	Bush	2	
11	AP8121510	Bush	4	

Assembly	FRAME
Code	28.15
Description	Rear body
Revision	1



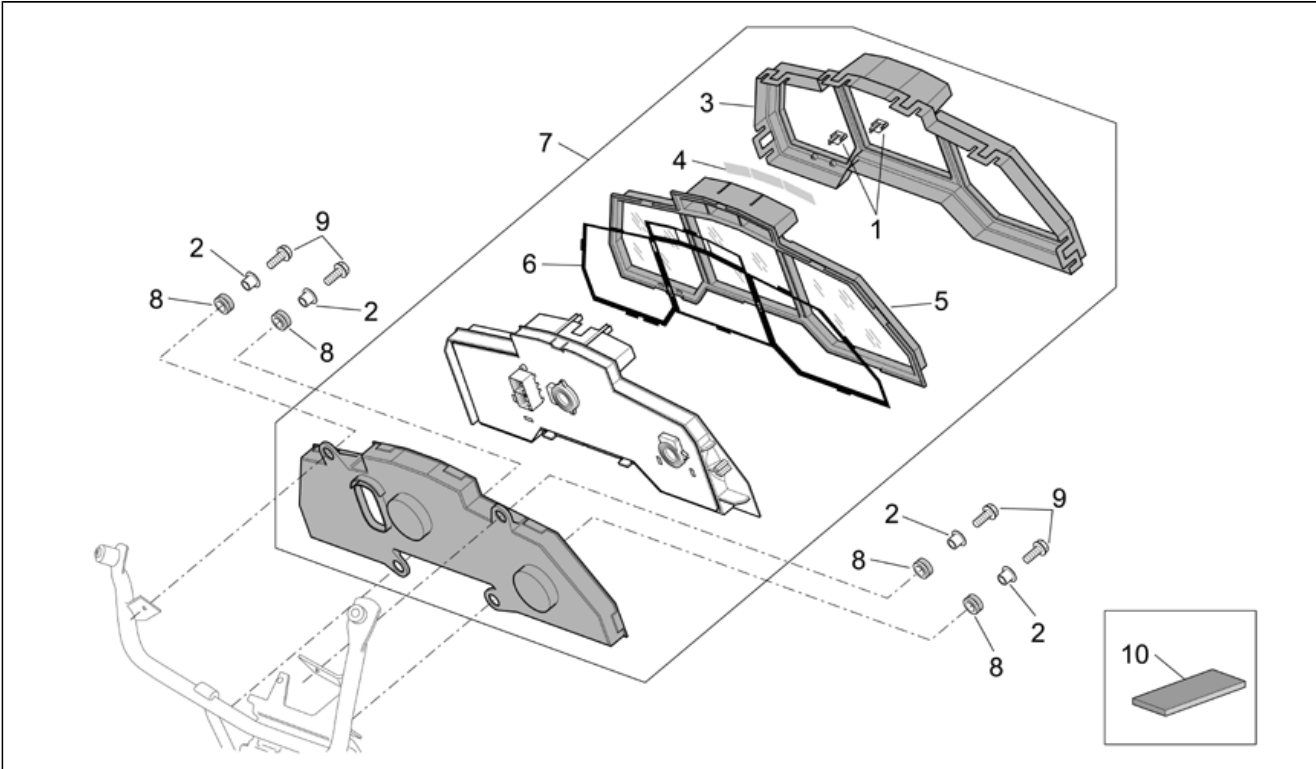
Pos.	Code	Description	Q.ty	Variants
12	AP8166790	Decal ETV 1000	2	year: 2006[6], 2007[7] Color: Venice White 2006 (s.t.15105)[v.white]

Assembly	FRAME
Code	28.16
Description	Undersaddle
Revision	1



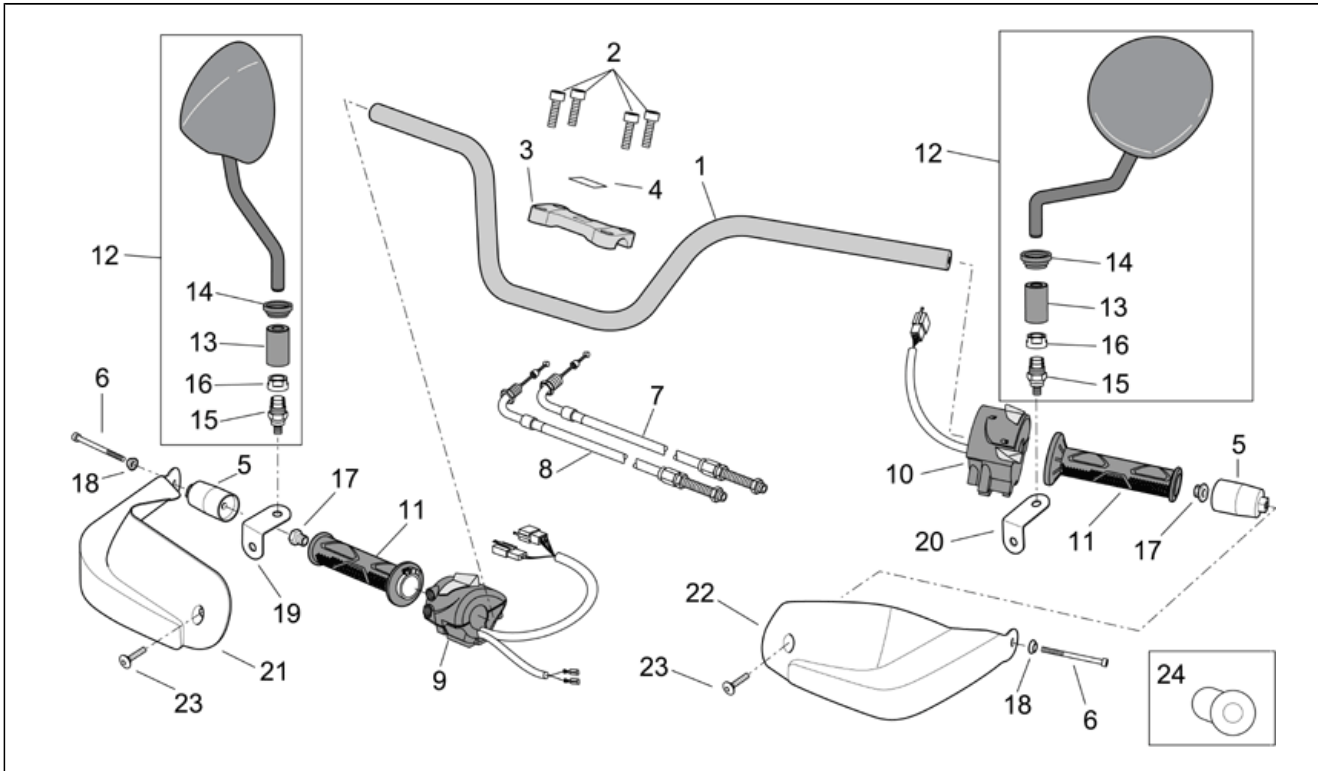
Pos.	Code	Description	Q.ty	Variants
1	AP8102376	Clip M6	2	
2	AP8126717	Shock absorber cover	1	
3	AP8152299	Self-locking nut	4	
4	AP8149296	Fixing pin	1	
5	AP8144288	Lat.battery support rubber	1	
6	AP8144045	Battery support rubber	1	
7	AP8126706	Number plate holder, grey	1	
8	AP8152286	Screw w/ flange M8x20	2	
9	AP8120508	T bush *	2	
10	AP8121032	Bush	8	
11	AP8152246	Screw w/ flange	11	
12	AP8102348	Toolkit clip	1	
13	AP8120317	Plastic rivet, black	1	
14	AP8139799	Saddle supp.low. lockup, black	1	
15	AP8121991	Bush	1	
16	AP8158036	Battery cover	1	
17	AP8158035	Clamp	1	
18	AP8224164	Rear reflector, red	2	Country:United States of America[USA]
19	AP8134846	Rear reflector support	1	Country:United States of America[USA]
20	AP8149034	Number plate support	1	Country:United States of America[USA]
21	AP8120001	Rubber spacer	1	Country:United States of America[USA]

Assembly	FRAME
Code	28.17
Description	Dashboard
Revision	1



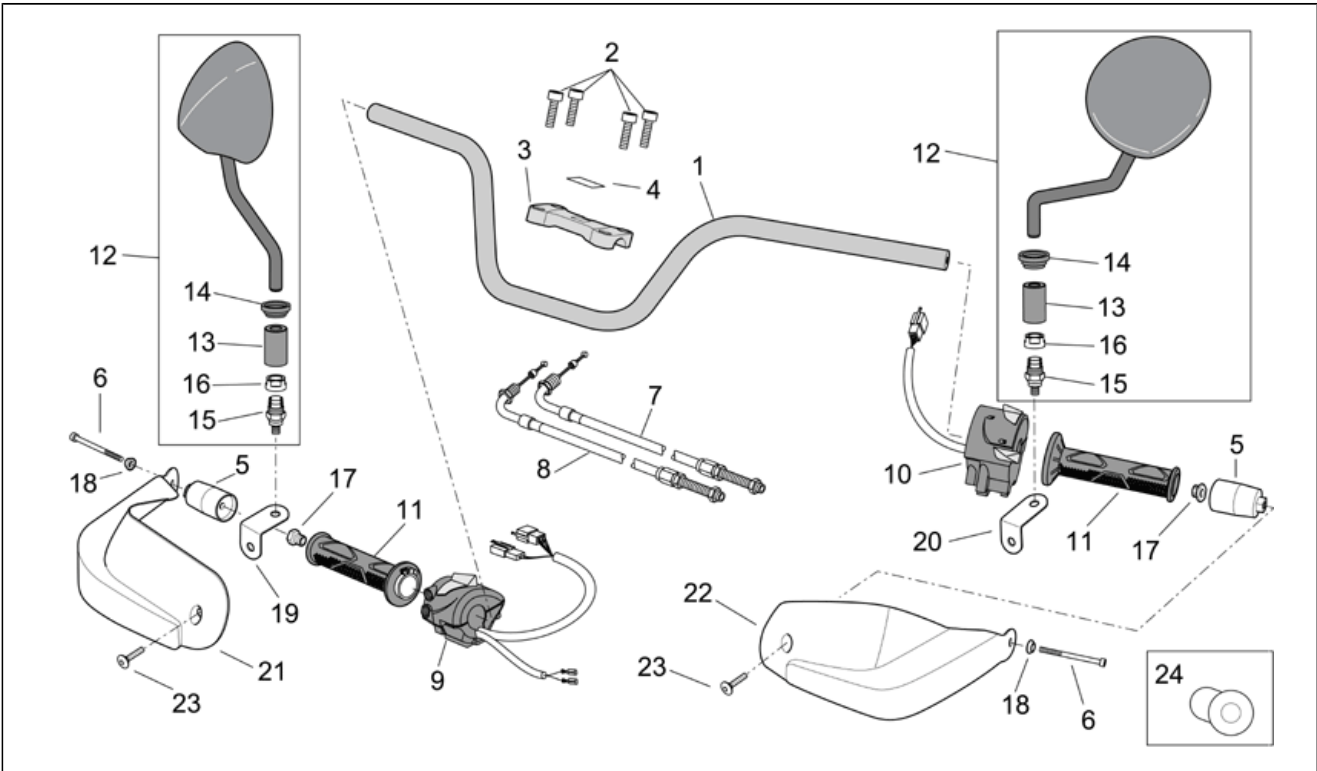
Pos.	Code	Description	Q.ty	Variants
1	AP8127155	Dashboard button	2	
2	AP8121790	T bush *	4	
3	AP8168468	Guard	1	
4	AP8127157	Guard	1	
5	AP8127158	Transparent protection	1	
6	AP8127159	Gasket	1	
7	AP8127425	Dashboard complete	1	Country:Australia[AA], Ireland[EI], DK, E, I[EU]
7	AP8127426	Dashboard complete	1	Country:Great Britain[UK]
7	AP8127427	Dashboard complete	1	Country:United States of America[USA]
8	AP8112599	Rubber spacer *	4	
9	AP8152280	Screw w/ flange	4	
10	AP8117073	Adhesive sponge	1	

Assembly	FRAME
Code	28.18
Description	Handlebar
Revision	1



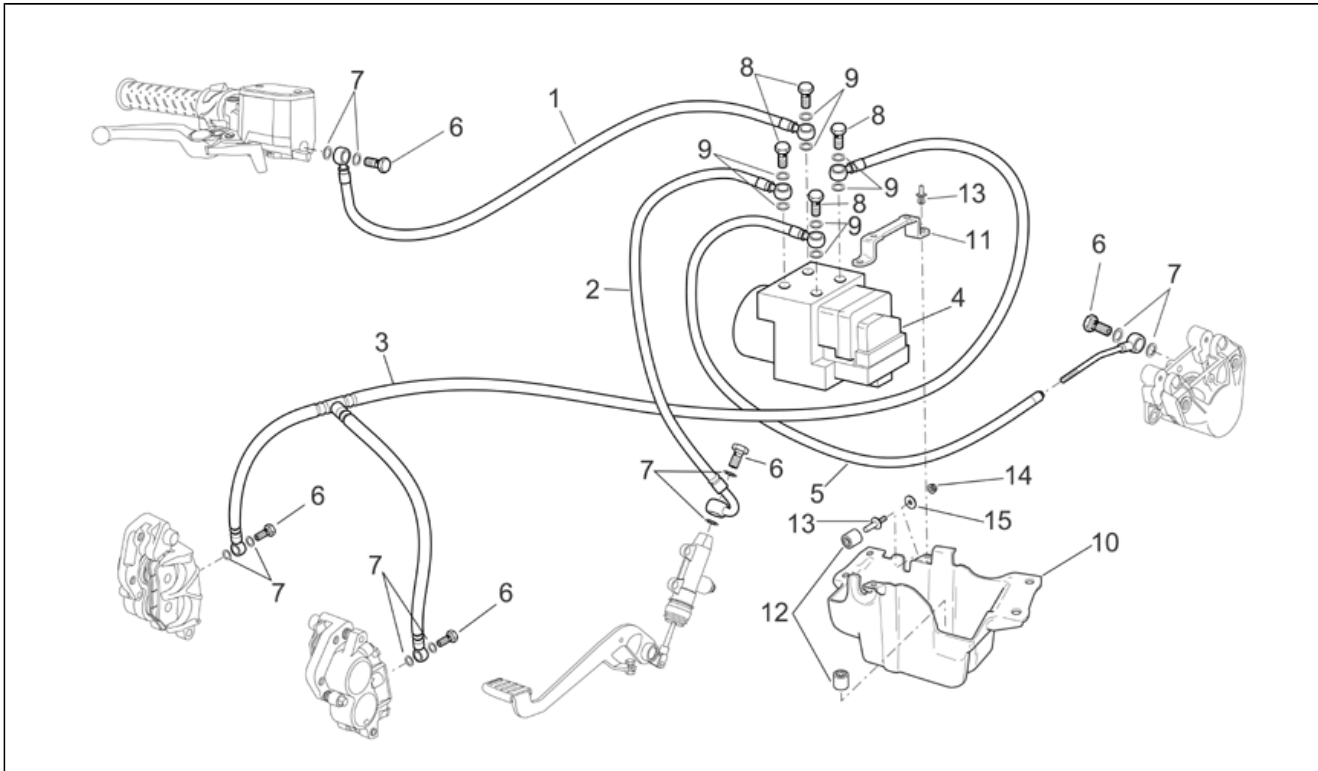
Pos.	Code	Description	Q.ty	Variants
1	AP8118691	Handlebar	1	
2	AP8150170	Hex socket screw M8x25*	4	
3	AP8163218	Upper U-bolt	2	
4	AP8157770	"Aprilia" dataplate	1	
5	AP8104627	Anti.v weight, black	2	
6	AP8150342	Hex socket screw M6x70	2	
7	AP8114375	Gas trasmission delivery	1	
8	AP8114376	Gas trasmission return	1	
9	AP8127110	RH lights selector	1	
10	AP8124984	LH lights selector	1	
11	AP8118619	Handgrip pair, black	1	
12	AP8104556	Rearview mirror	2	
13	AP8106911	Mirror rubber	2	
14	AP8201843	Terminal cover	2	
15	AP8201842	Mirror mounting clump	2	
16	AP8201856	Ring nut for clamp	2	
17	AP8121520	Anti vib.weight trailing	2	
18	AP8121819	Washer 6,5x12,5*	2	
19	AP8134941	RH plate	1	
20	AP8134942	LH plate	1	
21	AP8178397	RH handguard, blue	1	year: 2004[4] Color:Hilton Blue 2004[h.blu]
21	AP8178409	RH handguard, grey	1	year: 2004[4] Color:Dust Grey 2004[d.grey]
21	AP8178409	RH handguard, grey	1	year: 2005[5], 2006[6] Color:Aprilia black 2005-2006 (s.t.14761)[a.blk]
21	AP8178409	RH handguard, grey	1	year: 2006[6], 2007[7] Color:Venice White 2006 (s.t.15105)[v.white]
21	AP8178428	RH handguard, grey	1	year: 2004[4], 2005[5]

Assembly	FRAME
Code	28.18
Description	Handlebar
Revision	1



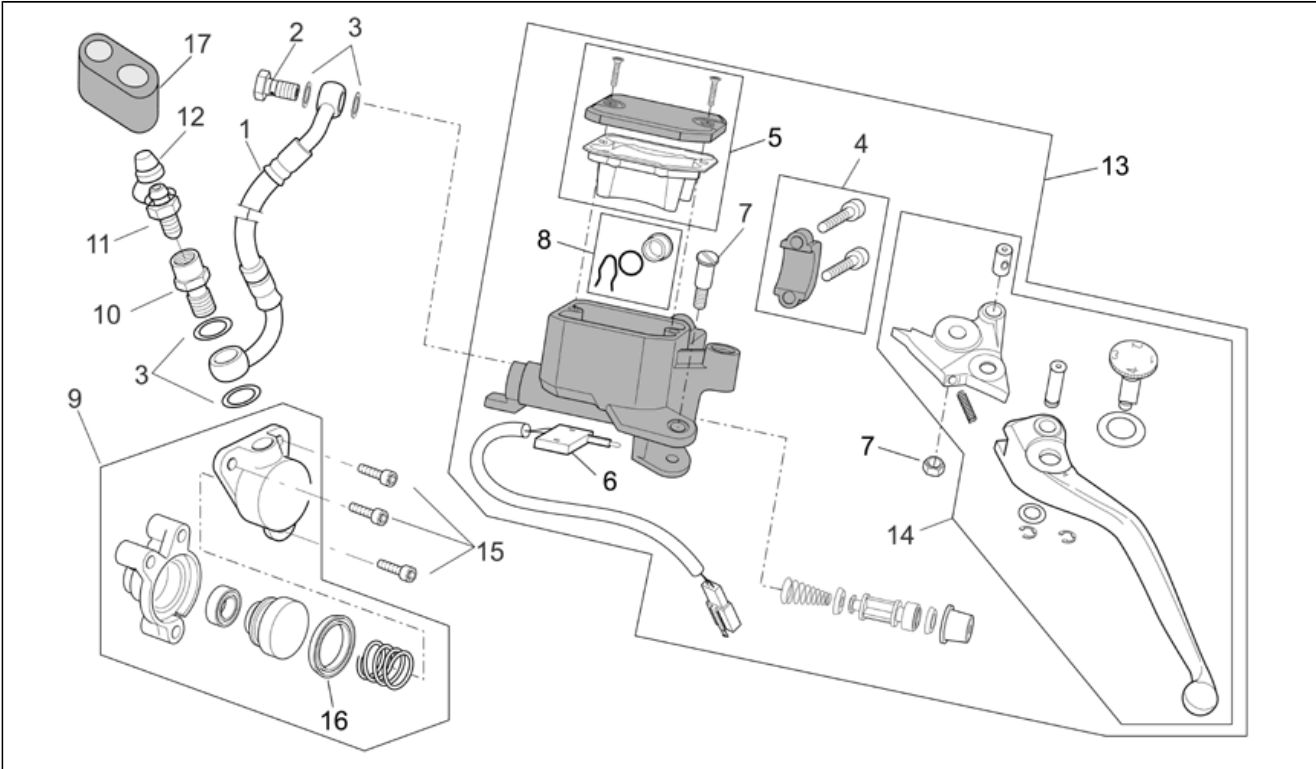
Pos.	Code	Description	Q.ty	Variants
				Color:Titan Grey 2004-2005[t.grey]
22	AP8178398	LH handguard, blue	1	year: 2004[4] Color:Hilton Blue 2004[h.blu]
22	AP8178410	LH handguard, grey	1	year: 2006[6], 2007[7] Color:Venice White 2006 (s.t.15105)[v.white]
22	AP8178410	LH handguard, grey	1	year: 2005[5], 2006[6] Color:Aprilia black 2005-2006 (s.t.14761)[a.blk]
22	AP8178410	LH handguard, grey	1	year: 2004[4] Color:Dust Grey 2004[d.grey]
22	AP8178429	LH handguard, grey	1	year: 2004[4], 2005[5] Color:Titan Grey 2004-2005[t.grey]
23	AP8152302	Screw w/ flange M5x12	2	
24	AP8120531	Rubber w/ insert *	1	

Assembly	FRAME
Code	28.19
Description	ABS Brake system
Revision	1



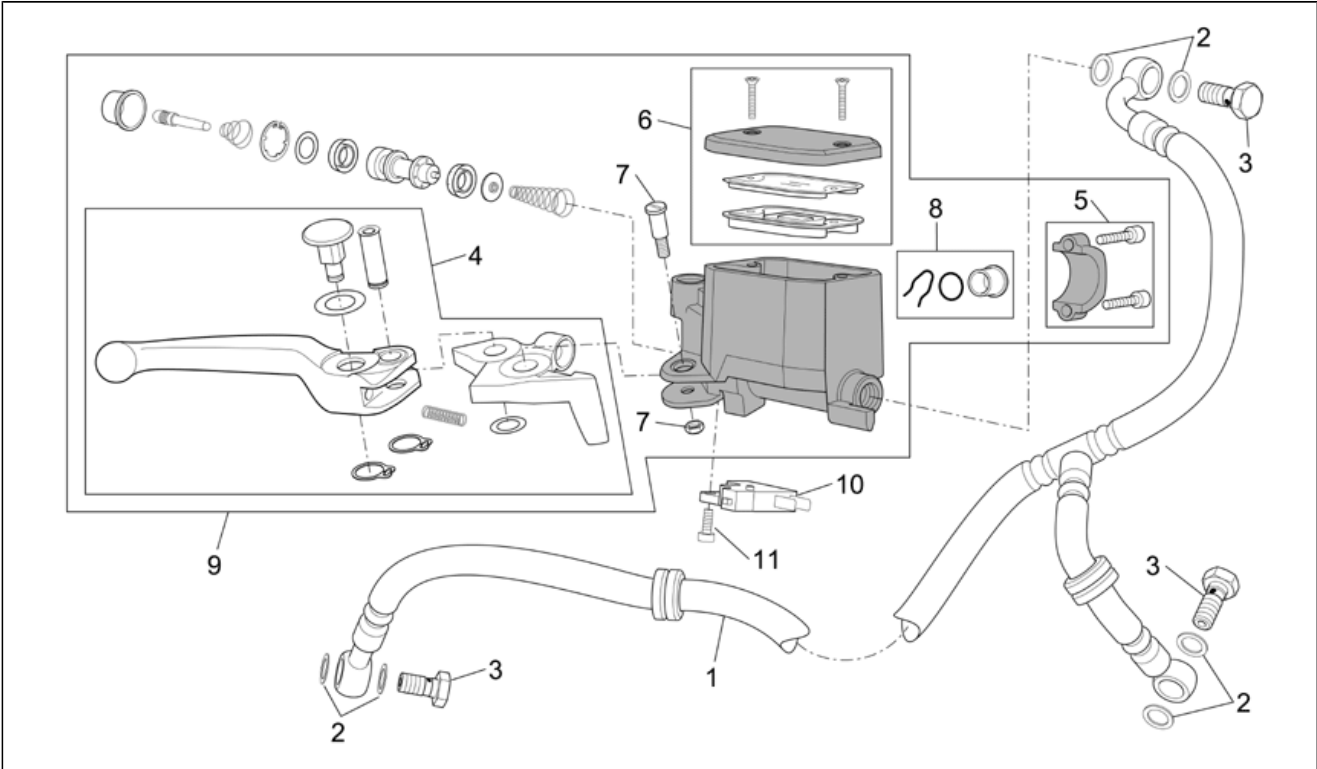
Pos.	Code	Description	Q.ty	Variants
1	AP8133637	Front brake hose	1	Technical Specifications: ABS brake system ETV Capo Nord Version[abs]
2	AP8133639	Rear brake hose	1	Technical Specifications: ABS brake system ETV Capo Nord Version[abs]
3	AP8133638	Front brake hose	1	Technical Specifications: ABS brake system ETV Capo Nord Version[abs]
4	AP8127506	ECU/Pump ABS	1	Technical Specifications: ABS brake system ETV Capo Nord Version[abs]
5	AP8133640	Brake hose	1	Technical Specifications: ABS brake system ETV Capo Nord Version[abs]
6	AP8113003	Oil pipe screw *	3	Technical Specifications: ABS brake system ETV Capo Nord Version[abs]
7	AP8121915	Gasket	5	Technical Specifications: ABS brake system ETV Capo Nord Version[abs]
8	AP8133644	Screw	2	Technical Specifications: ABS brake system ETV Capo Nord Version[abs]
9	AP8133645	Gasket	4	Technical Specifications: ABS brake system ETV Capo Nord Version[abs]
10	AP8127472	Cover	1	Technical Specifications: ABS brake system ETV Capo Nord Version[abs]
11	AP8134950	Plate	1	Technical Specifications: ABS brake system ETV Capo Nord Version[abs]
12	AP8144087	Rubber spacer	2	Technical Specifications: ABS brake system ETV Capo Nord Version[abs]
13	AP8120317	Plastic rivet, black	2	Technical Specifications: ABS brake system ETV Capo Nord Version[abs]
14	AP8150334	Nut	2	Technical Specifications: ABS brake system ETV Capo Nord Version[abs]
15	AP8150018	Washer	2	Technical Specifications: ABS brake system ETV Capo Nord Version[abs]

Assembly	FRAME
Code	28.20
Description	Clutch pump
Revision	1



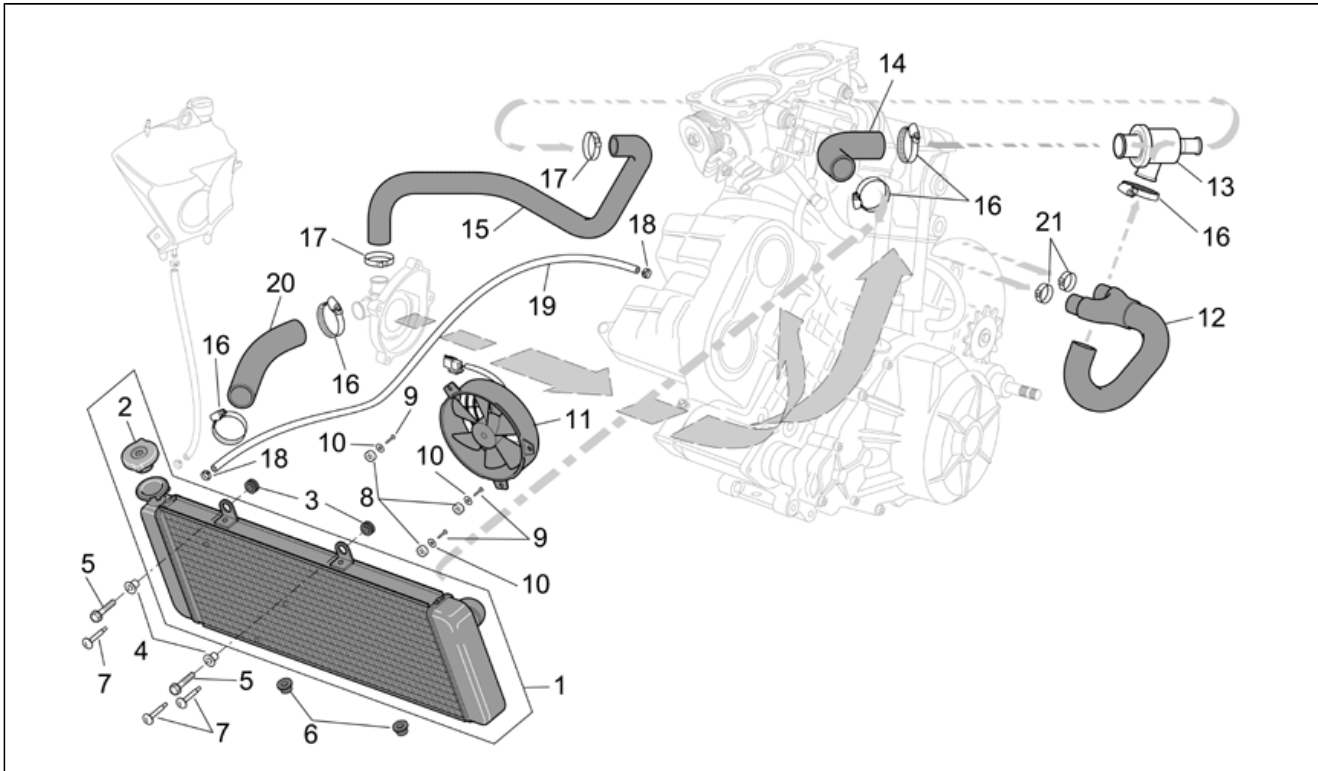
Pos.	Code	Description	Q.ty	Variants
1	AP8113881	Clutch pipe	1	
2	AP8113003	Oil pipe screw *	1	
3	AP8121915	Gasket	4	
4	AP8113993	U-bolt	1	
5	AP8113997	Tank cap	1	
6	AP8113998	Microswitch	1	
7	AP8113719	Lever pin	1	
8	AP8113063	Master cyl.level window	1	
9	AP8106381	Clutch command cylinder	1	
10	AP8113762	Bored screw	1	
11	AP8113761	Air bleed valve	1	
12	AP8113230	Bleed valve cap	1	
13	AP8106713	Clutch pump	1	
14	AP8118659	Clutch lever	1	
15	AP0241821	Hex socket screw M6x45	3	
16	AP8106935	Gasket	1	
17	AP8158759	Bleed valve protection	1	

Assembly	FRAME
Code	28.21
Description	Front master cilinder
Revision	1



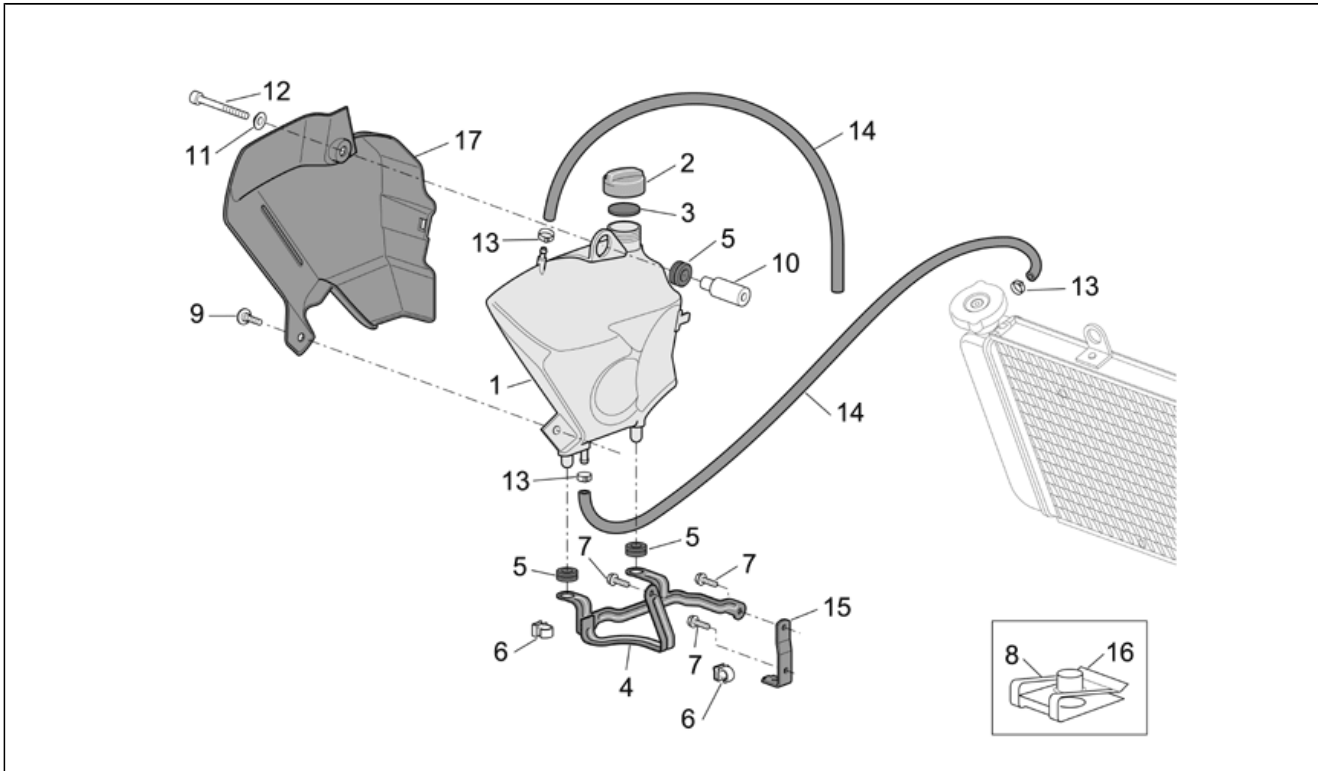
Pos.	Code	Description	Q.ty	Variants
1	AP8113807	Front brake hose	1	Technical Specifications: ETV Capo Nord Standard Version[std]
2	AP8121915	Gasket	6	
3	AP8113003	Oil pipe screw *	3	
4	AP8133510	Front brake lever	1	
5	AP8113993	U-bolt	1	
6	AP8113994	Tank cap	1	
7	AP8113995	Lever pin	1	
8	AP8113063	Master cyl.level window	1	
9	AP8113803	Front master cilinder	1	
10	AP8224192	Brake light switch w/ rubber	1	
11	AP8152043	Hex socket screw M4x10	1	

Assembly	FRAME
Code	28.22
Description	Cooling system
Revision	1



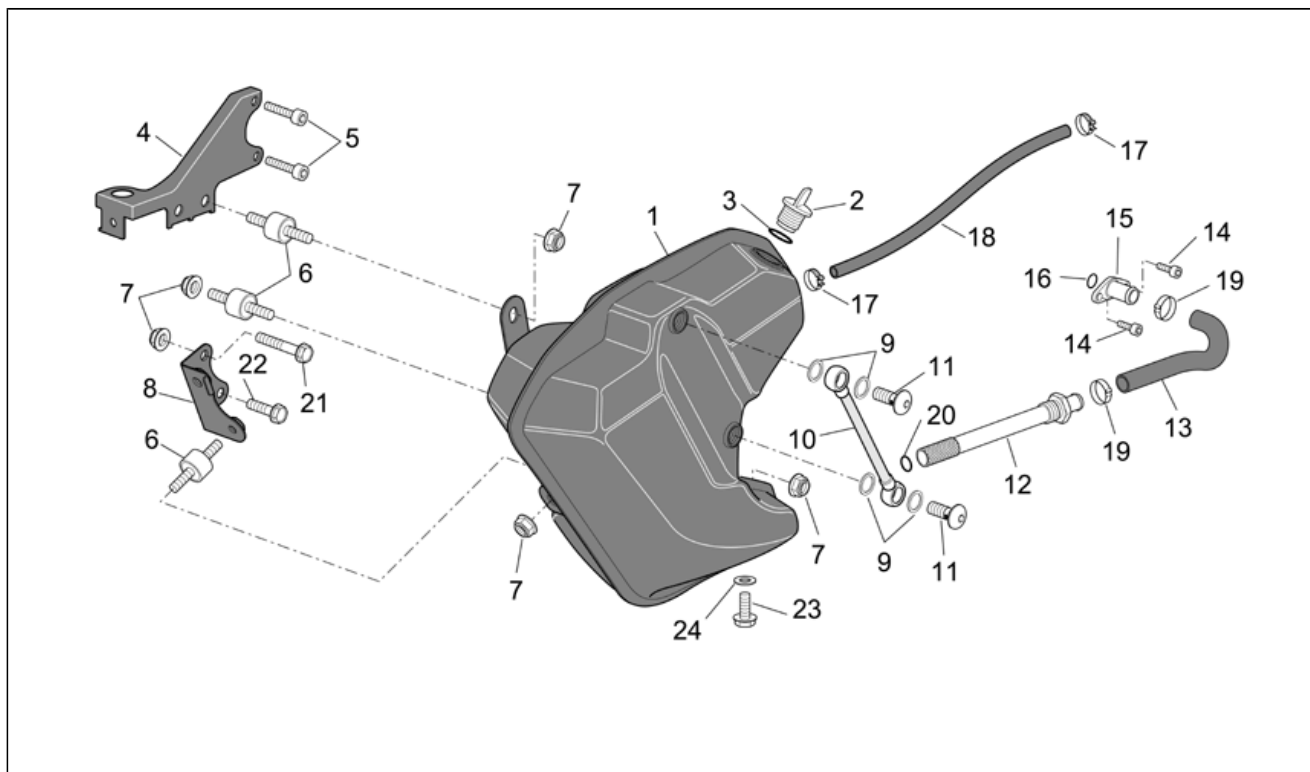
Pos.	Code	Description	Q.ty	Variants
1	AP8102915	Water cooler with plug	1	
2	AP8102771	Water cooler filler cap	1	
3	AP8120030	Rubber spacer *	2	
4	AP8221023	T bush *	2	
5	AP8152281	Screw w/ flange	2	
6	AP8101372	Silent-block	2	
7	AP8121464	Pin	3	
8	AP8125848	Spacer	3	
9	AP8150270	Screw 4,2x20*	3	
10	AP8150159	Washer 4,3x16*	3	
11	AP8124930	Fan, cpl.	1	
12	AP8144349	Pipe 3 vie	1	
13	AP8124929	Thermostat valve set 75°C	1	
14	AP8144197	Cooler-thermostat pipe	1	
15	AP8144166	Engine-thermostat pipe	1	
16	AP8104097	Hose clamp	5	
17	AP8101927	Hose clip D23,5x8*	2	
18	AP8102239	Hose clamp 12,5x8	2	
19	AP8144069	Fuel pipe 6x13	1	
20	AP8144165	Cooler-engine pipe	1	
21	AP8101743	Hose clip D23,5x8*	2	

Assembly	FRAME
Code	28.23
Description	Expansion tank
Revision	1



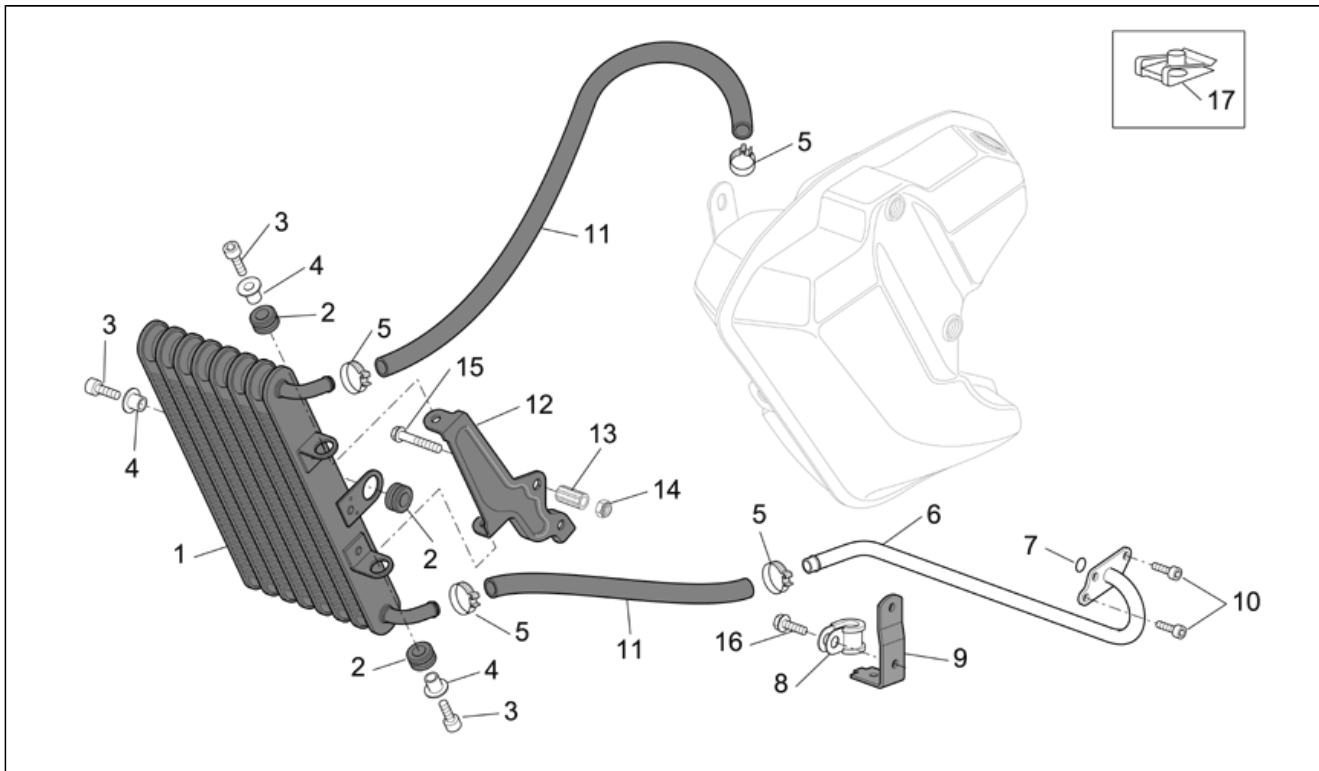
Pos.	Code	Description	Q.ty	Variants
1	AP8168743	Expansion tank	1	
2	AP8120354	Plug	1	
3	AP8120355	Oil plug gasket	1	
4	AP8134557	Expansion tank support	1	
5	AP8120030	Rubber spacer *	3	
6	AP8201727	Black cable guide	2	
7	AP8152279	Screw w/ flange M6x20	3	
8	AP8102375	Clip M5	3	
9	AP8152302	Screw w/ flange M5x12	1	
10	AP8121473	Spacer	1	
11	AP8121032	Bush	1	
12	AP8150045	Hex socket screw	1	
13	AP8102738	Hose clamp	3	
14	AP8120952	Fuel pipe 5,5x10	2	
15	AP8134744	Plate	1	
16	AP8102376	Clip M6	1	
17	AP8149424	Expansion tank protection	1	

Assembly	FRAME
Code	28.24
Description	Oil tank
Revision	1



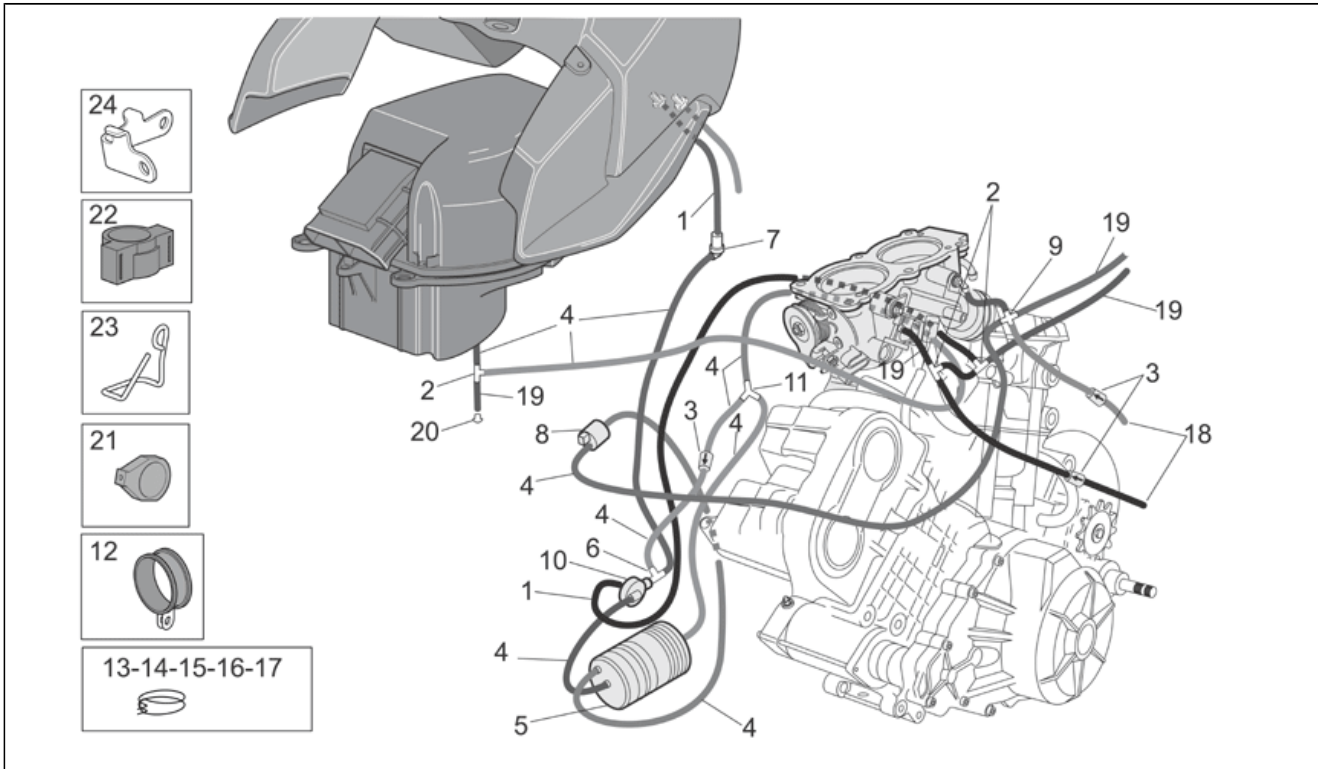
Pos.	Code	Description	Q.ty	Variants
1	AP8139902	Oil tank	1	
2	AP8102618	Oil filler cap	1	
3	AP8120190	O-ring 3075	2	
4	AP8134598	LH inf.water cooler holder	1	
5	AP8150165	Hex socket screw	2	
6	AP8144061	Silent-block	3	
7	AP8152299	Self-locking nut	5	
8	AP8134678	Plate	1	
9	AP8113004	Washer 10x14x1,6*	4	
10	AP8144200	Oil level pipe	1	
11	AP8121409	Oil pipe screw	2	
12	AP8102828	Oil filter cpl.	1	
13	AP8144420	Oil pipe	1	
14	AP8150137	Hex socket screw	2	
15	AP8106387	Oil pipe	1	
16	AP8120196	O-ring 3056	1	
17	AP8120446	Hose clip, green D11x6,6x1	1	
18	AP8144015	Oil pipe 6x12	1	
19	AP8102786	Hose clip 20x8	2	
20	AP8120190	O-ring 3075	1	
21	AP8152281	Screw w/ flange	1	
22	AP8152278	Screw w/ flange	1	
23	AP8152285	Screw w/ flange M8x16*	1	
24	AP8121862	Washer D8x16x1,5	1	

Assembly	FRAME
Code	28.25
Description	Oil cooler
Revision	1



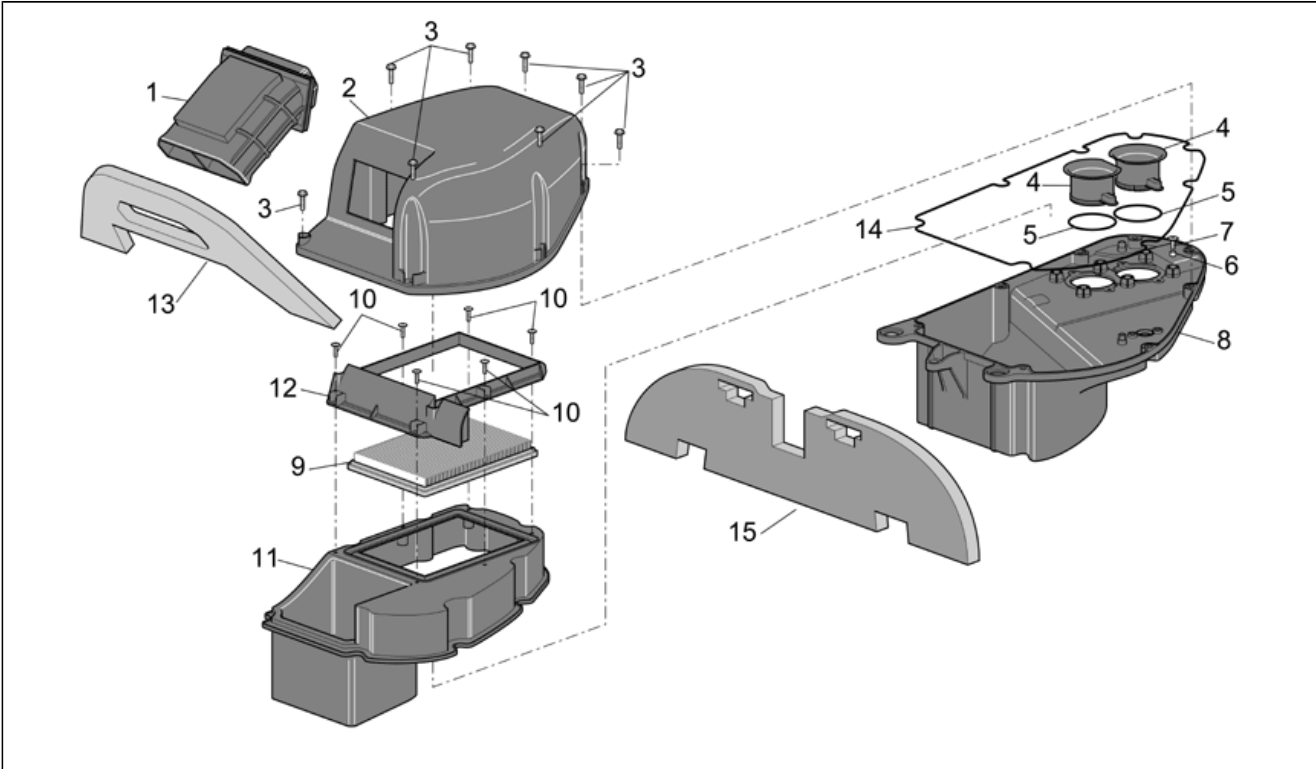
Pos.	Code	Description	Q.ty	Variants
1	AP8102918	Oil cooler cpl.	1	
2	AP8120030	Rubber spacer *	3	
3	AP8150044	Hex socket screw	3	
4	AP8221023	T bush *	3	
5	AP8102349	White hose clip D17,5x8	4	
6	AP8106388	Oil pipe	1	
7	AP8144008	O-ring 115	1	
8	AP8102731	Hose clamp	1	
9	AP8134745	Plate	1	
10	AP8150137	Hex socket screw	2	
11	AP8106389	Oil pipe 12x19	1	
12	AP8134681	Plate	1	
13	AP8121313	Conical bush	1	
14	AP8150430	Low self-locking nut	1	
15	AP8152281	Screw w/ flange	1	
16	AP8152279	Screw w/ flange M6x20	1	
17	AP8102376	Clip M6	1	

Assembly	FRAME
Code	28.26
Description	Fuel vapour recover system
Revision	1



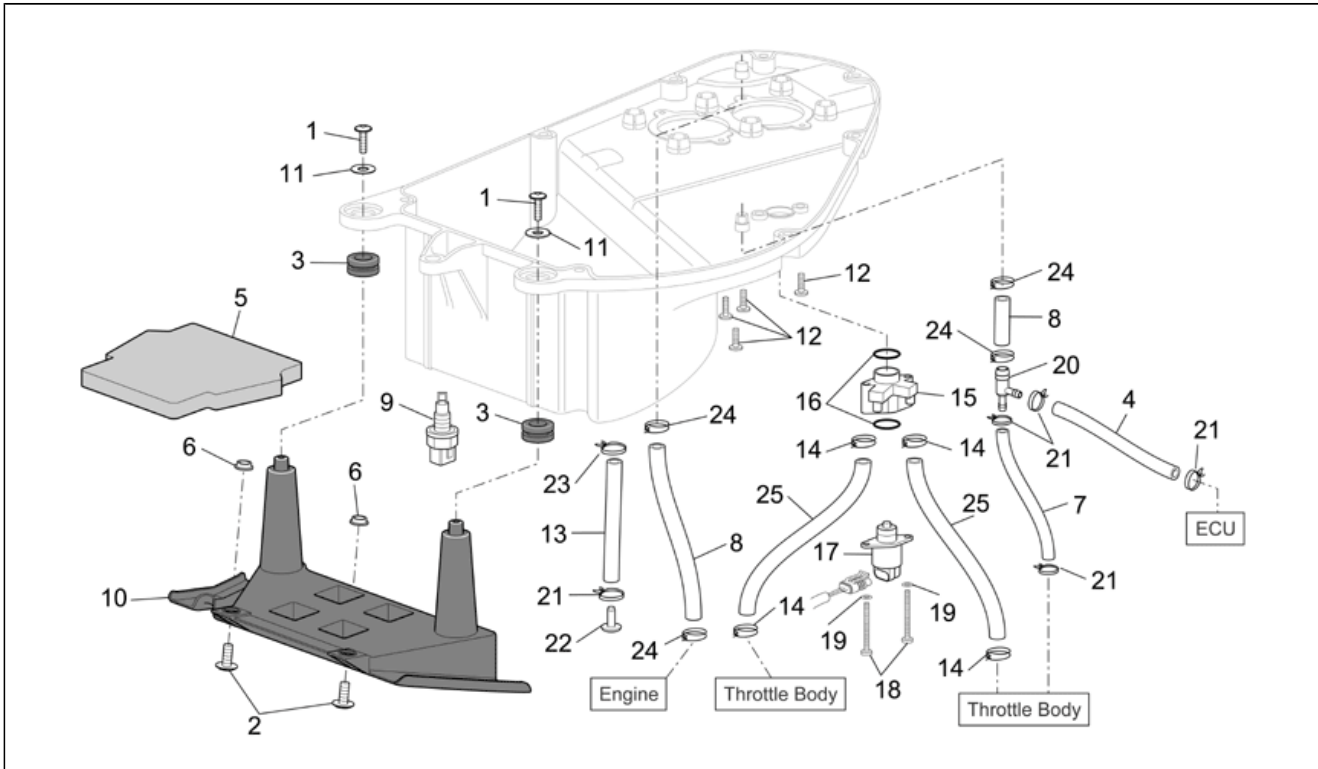
Pos.	Code	Description	Q.ty	Variants
1	AP8220263	Breather pipe 4x8	1	
2	AP8144303	3-way union	3	
3	AP8104251	Oil breather valve	3	
4	AP8120952	Fuel pipe 5,5x10	1	
5	AP8102678	Carbon filter	1	
6	AP8202154	3-way union	1	
7	AP8106824	"Roll-over" valve	1	
8	AP8106738	Electrical "Purge" valve	1	
9	AP8104475	Union	1	
10	AP8106776	"Purge" valve	1	
11	AP8120116	3-way union	1	
12	AP8102378	Hose clamp D11,3	1	
13	AP8102688	Hose clamp d.76	2	
14	AP8102766	Hose clamp	2	
15	AP8120179	Hose clamp D8*	1	
16	AP8120446	Hose clip, green D11x6,6x1	2	
17	AP8201358	Hose clamp D 11,9	1	
18	AP8144015	Oil pipe 6x12	2	
19	AP8144038	Fuel pipe 6x10	4	
20	AP8120876	Plug	1	
21	AP8134650	Valve support clamp	1	
22	AP8134844	Support	1	
23	AP8134845	Support	1	
24	AP8134848	Support	1	

Assembly	FRAME
Code	28.27
Description	Air box I
Revision	1



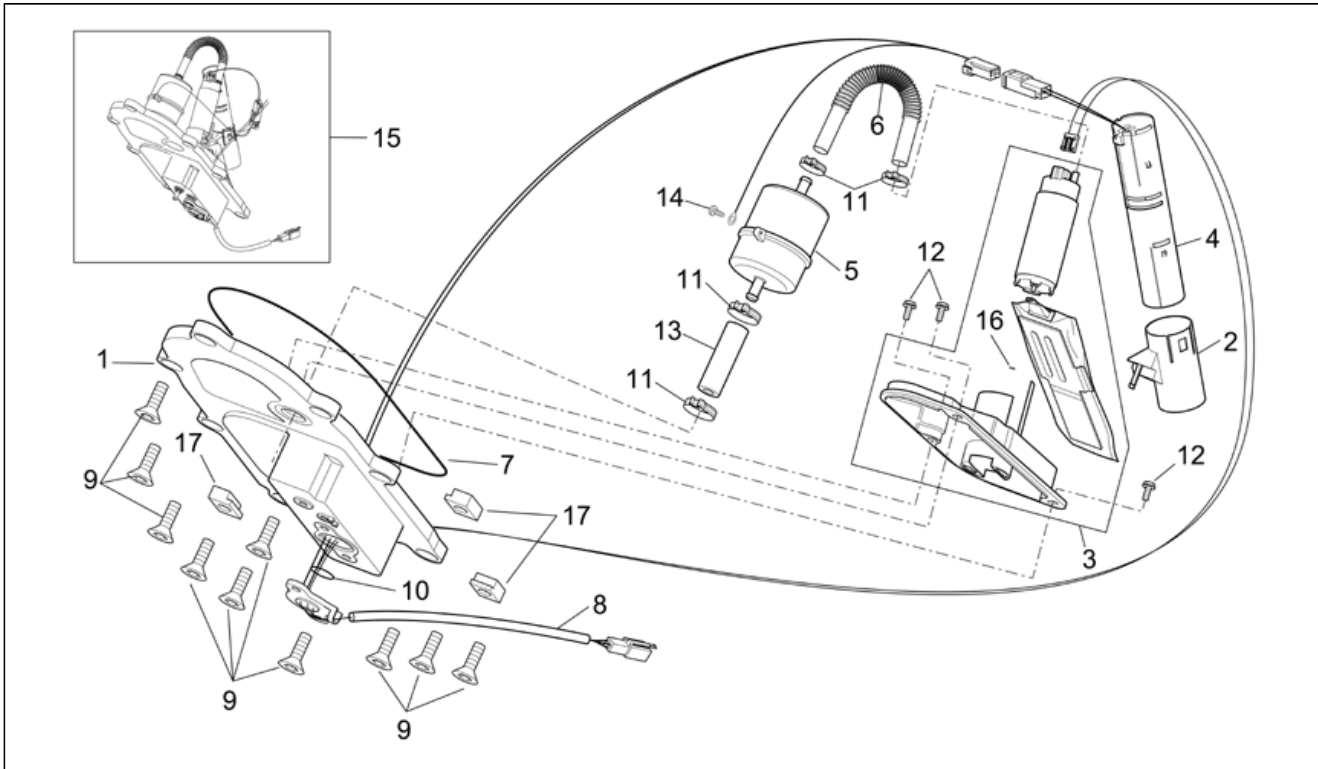
Pos.	Code	Description	Q.ty	Variants
1	AP8144164	Intake hose	1	
2	AP8149022	Upper side filter case	1	
3	AP8152274	Screw w/ flange M5X20	8	
4	AP8144348	Intake opening	2	
5	AP8144063	O-ring 159	2	
6	AP8120253	Spacer *	6	
7	AP8152246	Screw w/ flange	6	
8	AP8149020	Lower side filter case	1	
9	AP8104169	Air filter	1	
10	AP8152329	Phillips screw, SWP M5X20	6	
11	AP8149021	Air filter support	1	
12	AP8104168	Filter housing block	1	
13	AP8117151	Acoustic insulation panel	1	
14	AP8120615	Gasket D3	1	
15	AP8158254	Closure panel	1	

Assembly	FRAME
Code	28.28
Description	Air box II
Revision	1



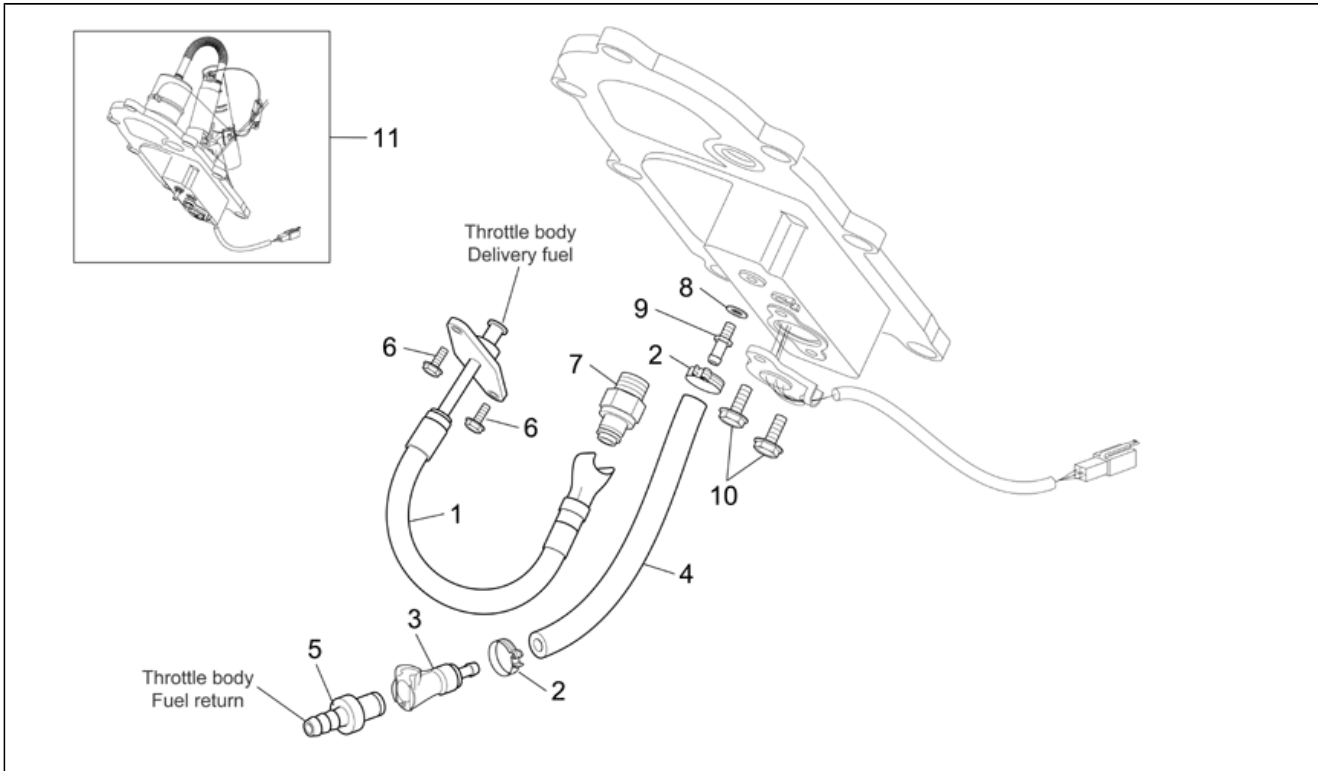
Pos.	Code	Description	Q.ty	Variants
1	AP8152329	Phillips screw, SWP M5X20	2	
2	AP8152246	Screw w/ flange	2	
3	AP8120030	Rubber spacer *	2	
4	AP8220263	Breather pipe 4x8	1	
5	AP8117153	Acoustic insulation panel	1	
6	AP8121032	Bush	2	
7	AP8120955	Pipe, grey 3x8	1	
8	AP8120987	Pipe 9x14	1	
9	AP8124867	Air temp. Sensor	1	
10	AP8134567	Filter case front. supp.	1	
11	AP8150382	Washer 15x5,5X1,2*	2	
12	AP8150413	Self-tap screw 3,9x14	4	
13	AP8144038	Fuel pipe 6x10	1	
14	AP8102525	Hose cock	4	
15	AP8149165	Min.adj.valve	1	
16	AP8220095	O-ring	2	
17	AP8124981	Min.regulation engine	1	
18	AP8150406	Screw m5x45	2	
19	AP8150272	Curved spring washer *	2	
20	AP8202154	3-way union	1	
21	AP8102377	Hose clamp D9,1*	4	
22	AP8120876	Plug	1	
23	AP8101595	Hose clamp D10,1*	1	
24	AP8102766	Hose clamp	4	
25	AP8120772	Breather pipe	1	

Assembly	FRAME
Code	28.29
Description	Fuel pump I
Revision	1



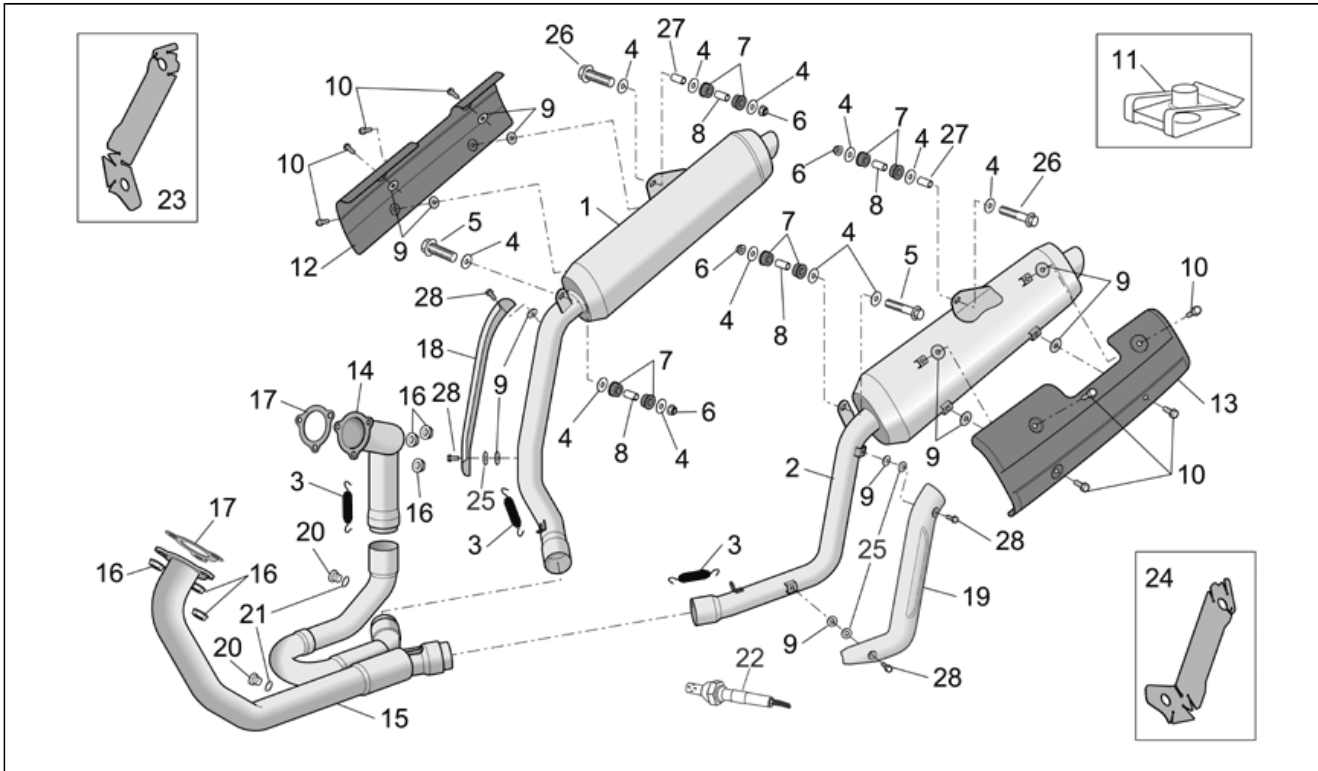
Pos.	Code	Description	Q.ty	Variants
1	AP8106597	Fuel pump flange	1	
2	AP8139619	Level sensor holder	1	
3	AP8106629	Fuel pump	1	
4	AP8124588	Level sensor	1	
5	AP8102971	Fuel filter	1	
6	AP8144226	Fuel pipe	1	
7	AP8144478	Gasket ring	1	
8	AP8124664	Fuel pump wiring	1	
9	AP8150064	Screw m5x16 cl.10.9	10	
10	AP8144475	Gasket ring	1	
11	AP8104373	Hose clamp	4	
12	AP8121536	Screw M5x12	3	
13	AP8144476	Fuel pipe	1	
14	AP8121537	Self-tap screw	1	
15	AP8106807	Fuel pump cpl.	1	
16	AP8121539	Snap ring	1	
17	AP8121545	Block	3	

Assembly	FRAME
Code	28.30
Description	Fuel pump II
Revision	1



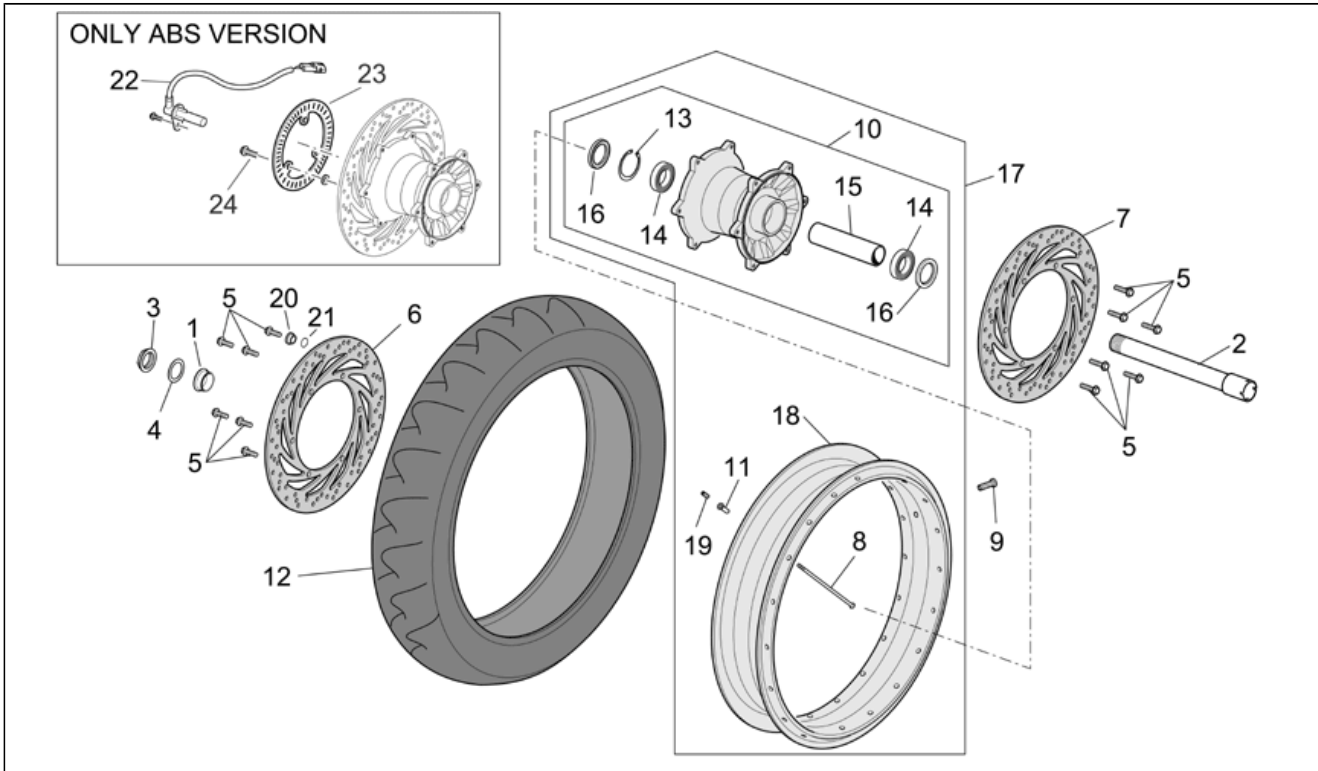
Pos.	Code	Description	Q.ty	Variants
1	AP8144436	Delivery fuel pipe	1	
2	AP8102239	Hose clamp 12,5x8	2	
3	AP8102829	Union	1	
4	AP8144069	Fuel pipe 6x13	1	
5	AP8144431	Union	1	
6	AP8152272	Screw w/ flange M5x12	2	
7	AP8144623	Union	1	
8	AP8144227	Gasket	1	
9	AP8104374	Union	1	
10	AP8121538	Screw	2	
11	AP8106807	Fuel pump cpl.	1	

Assembly	FRAME
Code	28.32
Description	Exhaust pipe
Revision	1



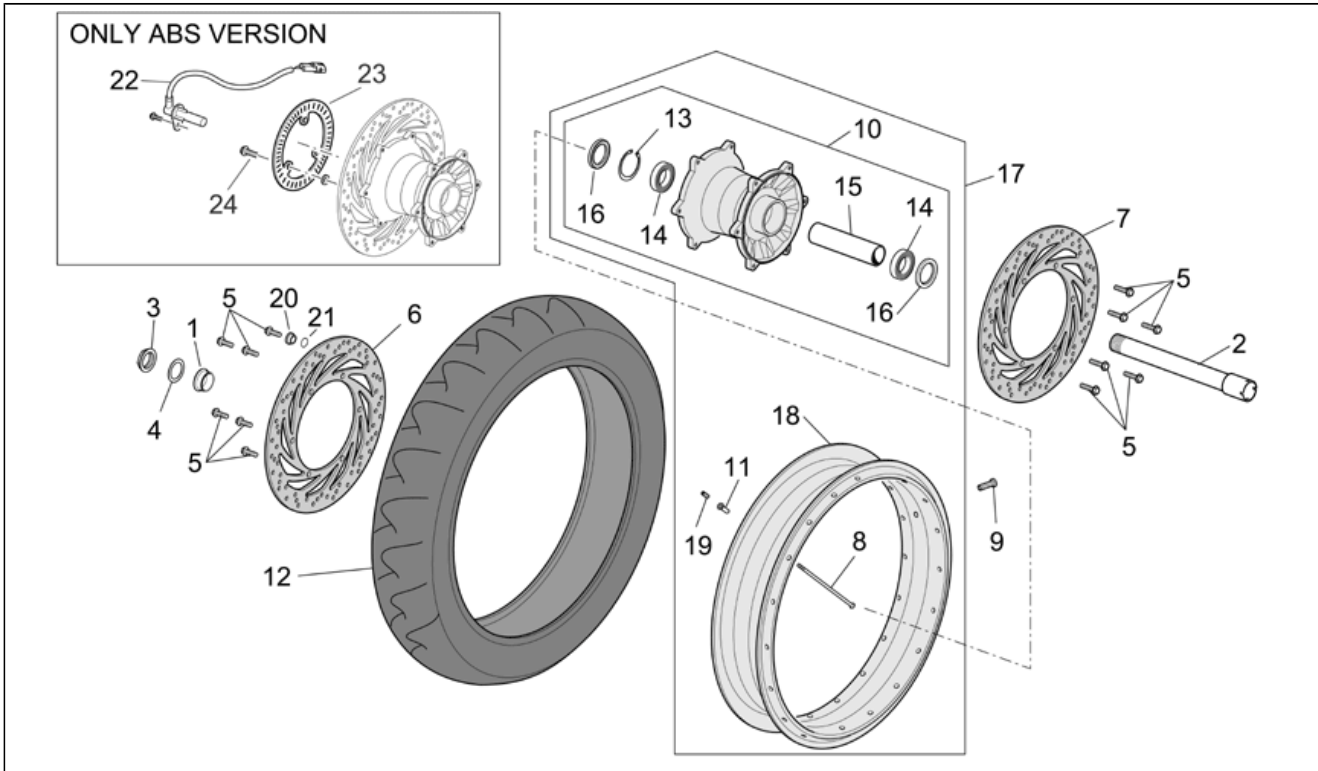
Pos.	Code	Description	Q.ty	Variants
1	AP8119669	RH silencer	1	
2	AP8119700	LH silencer	1	
3	AP8121170	Spring	3	
4	AP8150018	Washer	12	
5	AP8152292	Screw w/ flange M8x50*	2	
6	AP8152300	Self-locking nut M8*	4	
7	AP8144071	Rubber exhaust	8	
8	AP8121773	Spacer *	4	
9	AP8121513	Washer 5,5X20X1	12	
10	AP8152342	Screw w/ flange M6x12	8	
11	AP8102376	Clip M6	12	
12	AP8119786	Silencer dx protection	1	
12	AP8119787	Silencer sx protection	1	
14	AP8119523	Rear exhaust pipe	1	
15	AP8119712	Front. Exhaust pipe	1	
16	AP8150334	Nut	6	
17	AP8119414	Exhaust pipe gasket	2	
18	AP8119713	RH exhaust pipe shield	1	
19	AP8119714	LH exhaust pipe shield	1	
20	AP8119664	Plug	2	
21	AP8150489	Washer 10x14x1	2	
22	AP8127295	Lamda sensor	1	
23	AP8117203	RH heat protection	1	
24	AP8117204	LH heat protection	1	
25	AP8121576	Spacer	4	
26	AP8152293	Screw w/ flange M8x60*	2	
27	AP8120314	Spacer bush	2	
28	AP8152246	Screw w/ flange	4	

Assembly	FRAME
Code	28.33
Description	Front wheel
Revision	1



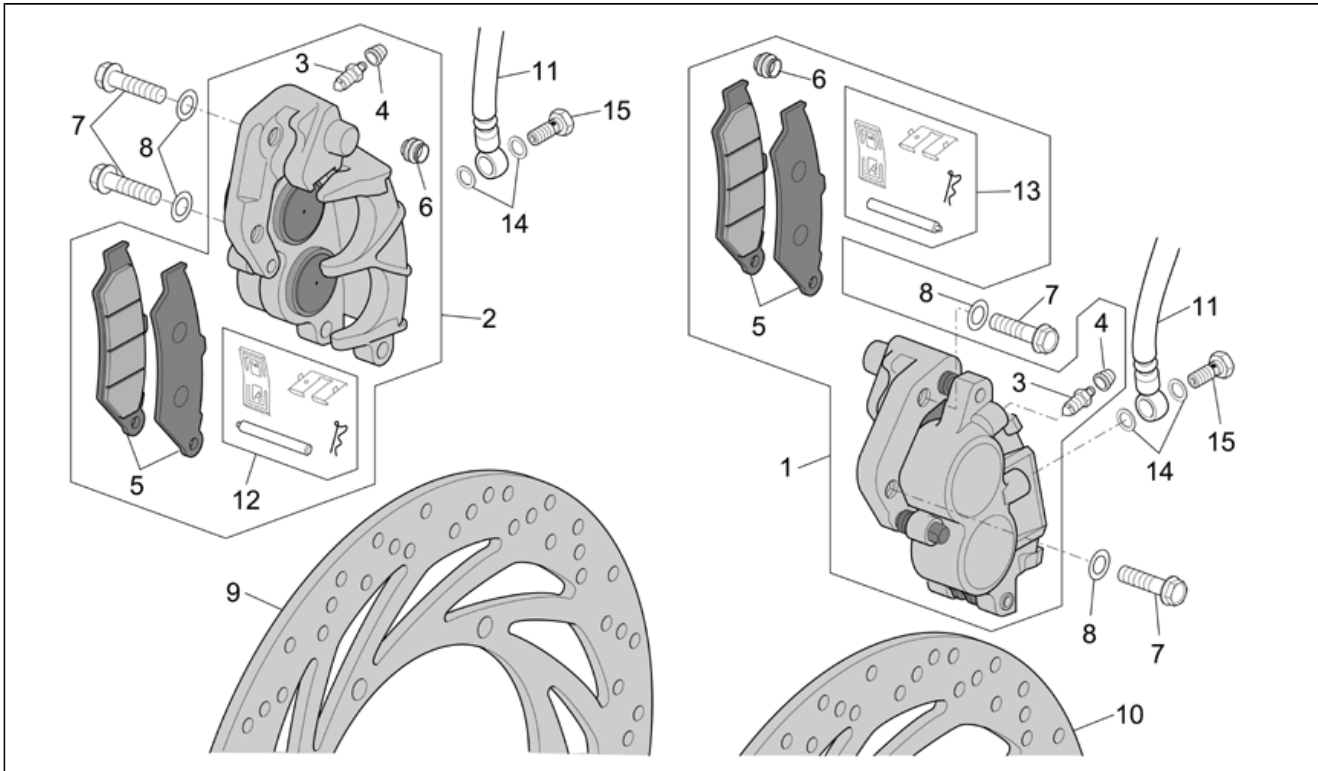
Pos.	Code	Description	Q.ty	Variants
1	AP8125791	Spacer	1	
2	AP8125790	Front wheel spindle	1	
3	AP8152335	Wheel spindle nut	1	
4	AP8152323	Washer 25,2x36x1	1	
5	AP8150510	Screw TB M8x20	12	Technical Specifications: ABS brake system ETV Capo Nord Version[abs]
5	AP8152285	Screw w/ flange M8x16*	12	Technical Specifications: ETV Capo Nord Standard Version[std]
6	AP8113805	RH front brake disc	1	Technical Specifications: ETV Capo Nord Standard Version[std]
6	AP8133547	RH front brake disc	1	Technical Specifications: ABS brake system ETV Capo Nord Version[abs]
7	AP8113806	LH front brake disc	1	Technical Specifications: ETV Capo Nord Standard Version[std]
7	AP8133548	LH front brake disc	1	Technical Specifications: ABS brake system ETV Capo Nord Version[abs]
8	AP8108784	Spoke	36	
9	AP8101744	Tubeless tyre valve	1	
10	AP8125883	Front hub	1	Technical Specifications: ETV Capo Nord Standard Version[std]
10	AP8125910	Front hub	1	Technical Specifications: ABS brake system ETV Capo Nord Version[abs]
11	AP8108953	Nipples	36	
12	0000000	Tyre 110/90"	1	
13	AP8125868	Inside circlip D47	1	
14	AP8125869	Bearing 6005-2rs 25x47x12	2	
15	AP8125870	Internal spacer	1	
16	AP8203074	Gasket ring	2	
17	AP8125871	Front wheel(complete)	1	Technical Specifications: ETV Capo Nord Standard Version[std]

Assembly	FRAME
Code	28.33
Description	Front wheel
Revision	1



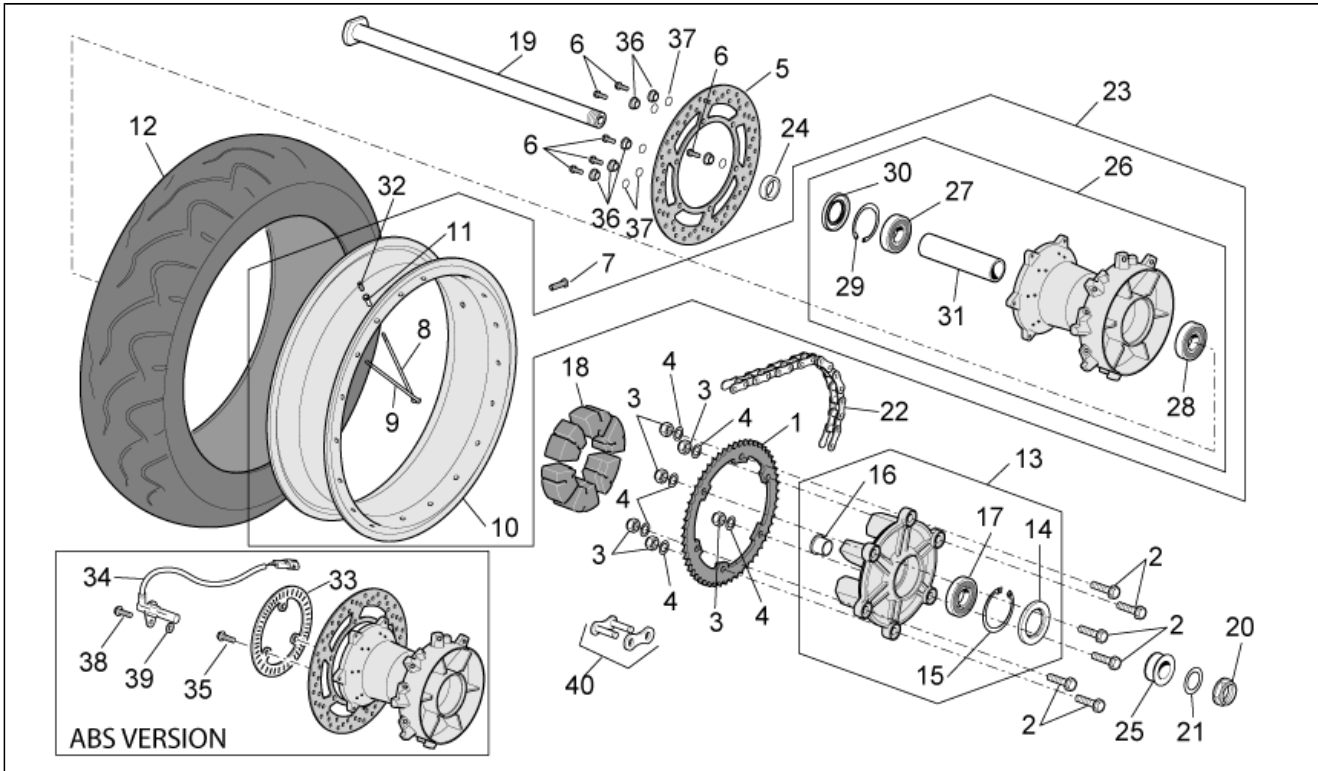
Pos.	Code	Description	Q.ty	Variants
17	AP8128104	Front wheel(complete)	1	Technical Specifications: ABS brake system ETV Capo Nord Version[abs]
18	AP8108785	Wheel D19"	1	
19	AP8150491	Dowel	36	
20	AP8121640	Bush	12	
21	AP8121641	Ring	12	
22	AP8127469	Sensor abs	1	Technical Specifications: ABS brake system ETV Capo Nord Version[abs]
23	AP8128004	Wheel speed sensor, left front	1	Technical Specifications: ABS brake system ETV Capo Nord Version[abs]
24	AP8152246	Screw w/ flange	3	Technical Specifications: ABS brake system ETV Capo Nord Version[abs]

Assembly	FRAME
Code	28.34
Description	Front brake caliper
Revision	1



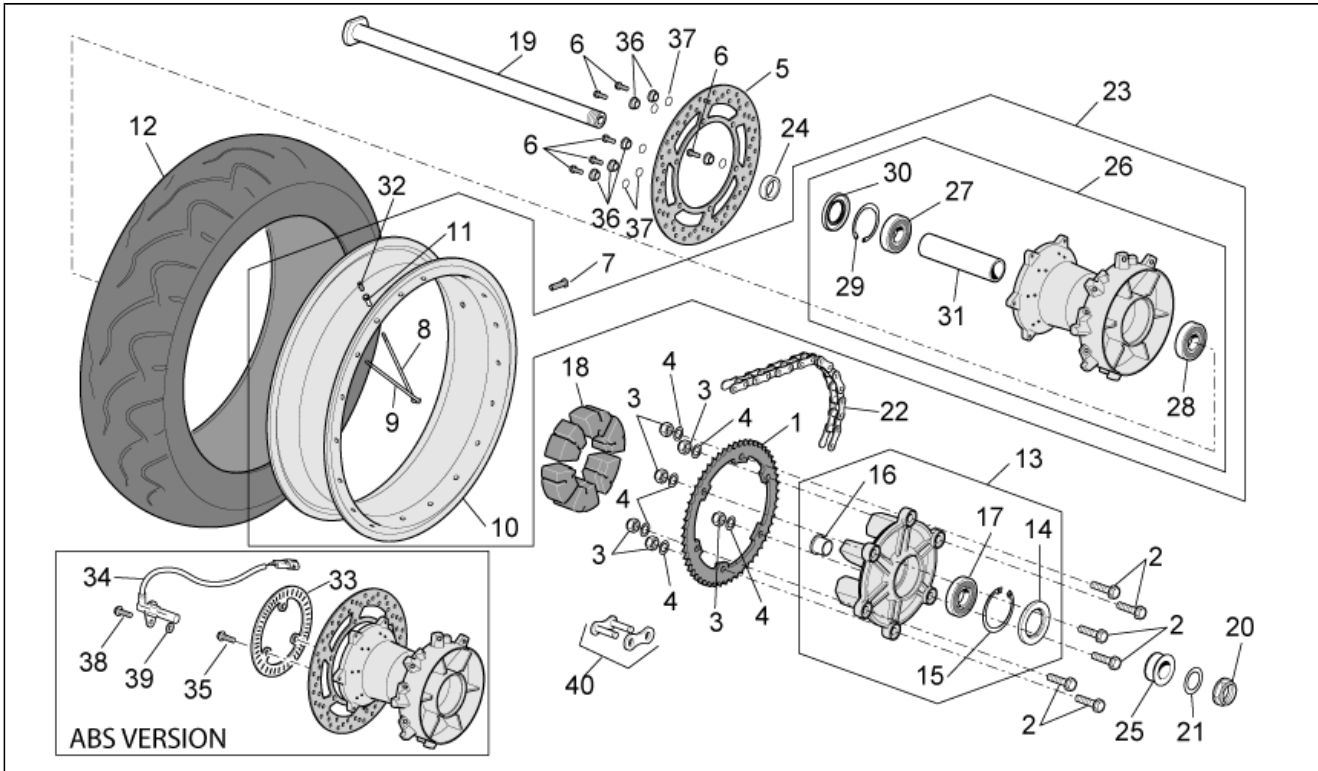
Pos.	Code	Description	Q.ty	Variants
1	AP8133622	LH front brake caliper	1	
2	AP8133623	RH front brake caliper	1	
3	AP8113549	Air bleed valve	2	
4	AP8113070	Bleed valve cap	2	
5	AP8113988	Pads pair	2	
6	AP8113548	Guard	2	
7	AP8152318	Screw w/ flange M10x35	4	
8	AP8150292	Curved spring washer *	4	
9	AP8113805	RH front brake disc	1	
10	AP8113806	LH front brake disc	1	
11	AP8113807	Front brake hose	1	Technical Specifications: ETV Capo Nord Standard Version[std]
12	AP8113989	RH Pin+Brake spring	1	
13	AP8113990	LH Pin+Brake spring	1	
14	AP8121915	Gasket	4	
15	AP8113003	Oil pipe screw *	2	

Assembly	FRAME
Code	28.35
Description	Rear wheel
Revision	1



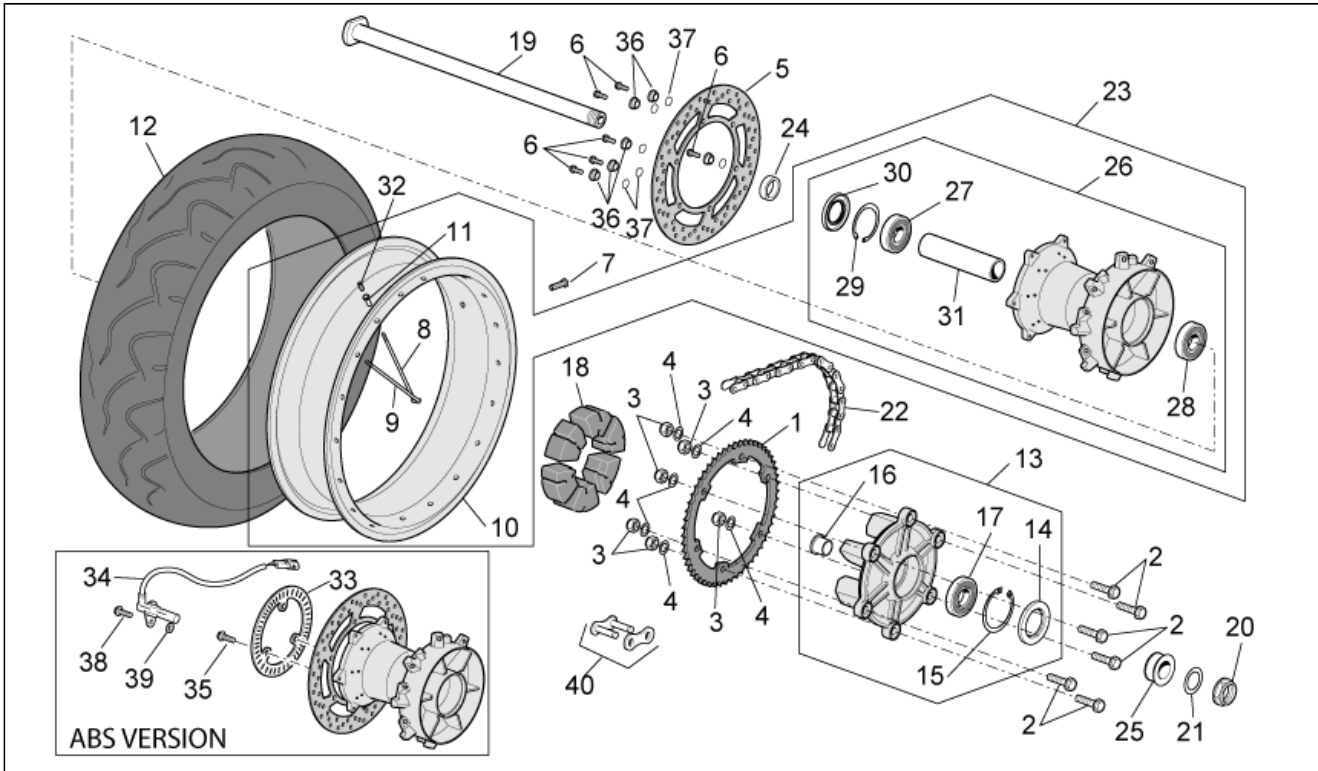
Pos.	Code	Description	Q.ty	Variants
1	AP8107129	Chain ring z=45	1	
2	AP8152318	Screw w/ flange M10x35	6	
3	AP8152242	Nut M10	6	
4	AP8150292	Curved spring washer *	6	
5	AP8113808	Rear brake disc	1	year: 2004[4] Technical Specifications: ABS brake system ETV Capo Nord Version[abs]
5	AP8113808	Rear brake disc	1	Technical Specifications: ETV Capo Nord Standard Version[std]
5	AP8133746	Rear brake disc	1	year: 2004[4] Technical Specifications: ABS brake system ETV Capo Nord Version[abs]
5	AP8133746	Rear brake disc	1	year: 2005[5], 2006[6], 2007[7] Technical Specifications: ABS brake system ETV Capo Nord Version[abs]
6	AP8150510	Screw TB M8x20	6	year: 2005[5], 2006[6], 2007[7] Technical Specifications: ABS brake system ETV Capo Nord Version[abs]
6	AP8150510	Screw TB M8x20	6	year: 2004[4] Technical Specifications: ABS brake system ETV Capo Nord Version[abs]
6	AP8152285	Screw w/ flange M8x16*	6	Technical Specifications: ETV Capo Nord Standard Version[std]
6	AP8152285	Screw w/ flange M8x16*	6	year: 2004[4] Technical Specifications: ABS brake system ETV Capo Nord Version[abs]
6	AP8152285	Screw w/ flange M8x16*	6	year: 2005[5], 2006[6], 2007[7] Technical Specifications: ABS brake system ETV Capo Nord Version[abs]
7	AP8101744	Tubeless tyre valve	1	
8	AP8108787	Spoke 3,5	18	
9	AP8108805	Spoke	18	

Assembly	FRAME
Code	28.35
Description	Rear wheel
Revision	1



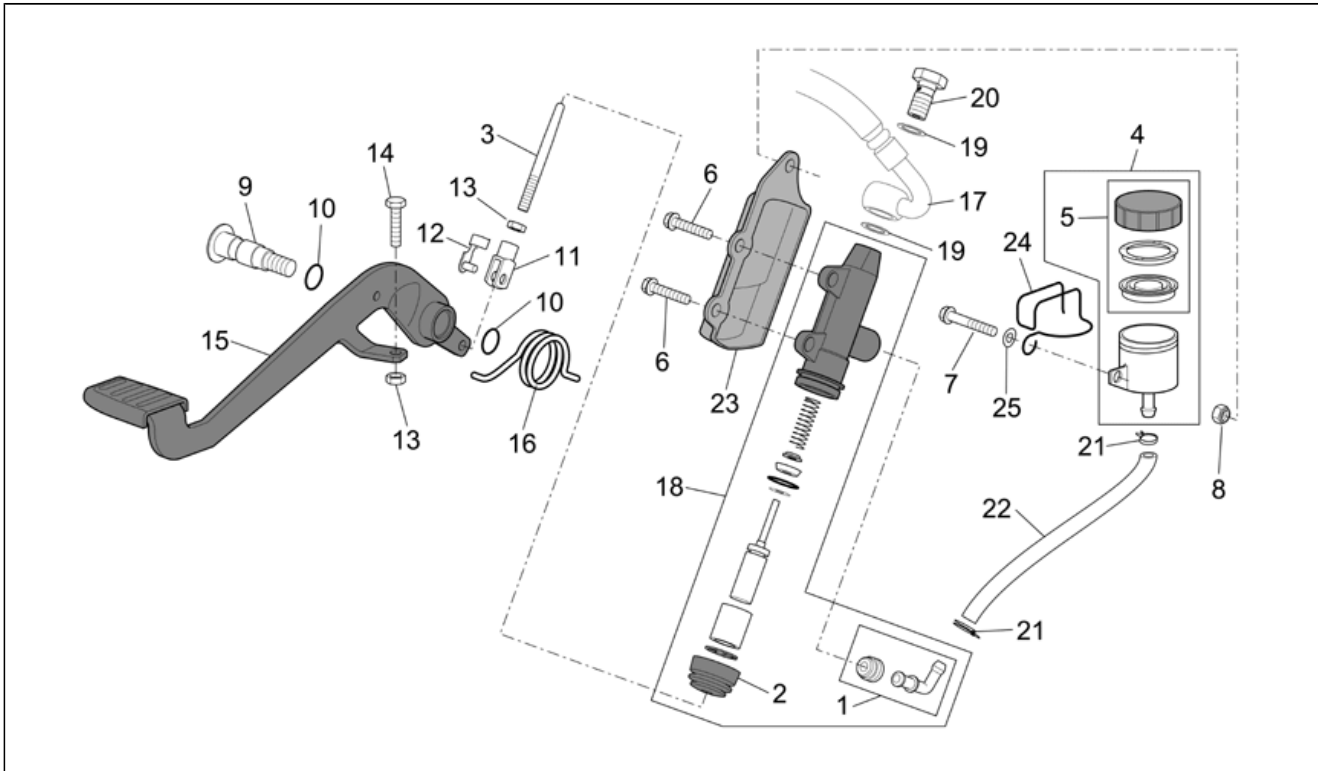
Pos.	Code	Description	Q.ty	Variants
10	AP8108788	Wheel D17"	1	
11	AP8108953	Nipples	36	
12	0000000	Tyre 110/90"	1	
13	AP8125794	Crown holder cpl.	1	
14	AP8125878	Gasket ring	1	
15	AP8125879	Circlip	1	
16	AP8125880	Spacer	1	
17	AP8125881	Bearing	1	
18	AP8125798	Flexible coupling rubber	6	
19	AP8125796	Rear wheel spindle	1	
20	AP8125763	Rear wheel spindle nut	1	
21	AP8125687	Wheel pin washer	1	
22	AP8107130	Chain	1	
23	AP8125877	Rear wheel(complete)	1	Technical Specifications: ETV Capo Nord Standard Version[std]
23	AP8128103	Rear wheel(complete)	1	Technical Specifications: ABS brake system ETV Capo Nord Version[abs]
24	AP8125799	Spacer	1	
25	AP8125800	Spacer	1	
26	AP8125907	Rear hub	1	Technical Specifications: ETV Capo Nord Standard Version[std]
26	AP8125911	Rear hub	1	Technical Specifications: ABS brake system ETV Capo Nord Version[abs]
27	AP8125872	Bearing 6304-2RS 20x52x15	1	
28	AP8125873	Bearing 6204-2RS 20x47x14	1	
29	AP8125874	Inside circlip D52	1	
30	AP8125875	Oil seal 30x52x7	1	
31	AP8125876	Spacer	1	
32	AP8150491	Dowel	36	

Assembly	FRAME
Code	28.35
Description	Rear wheel
Revision	1



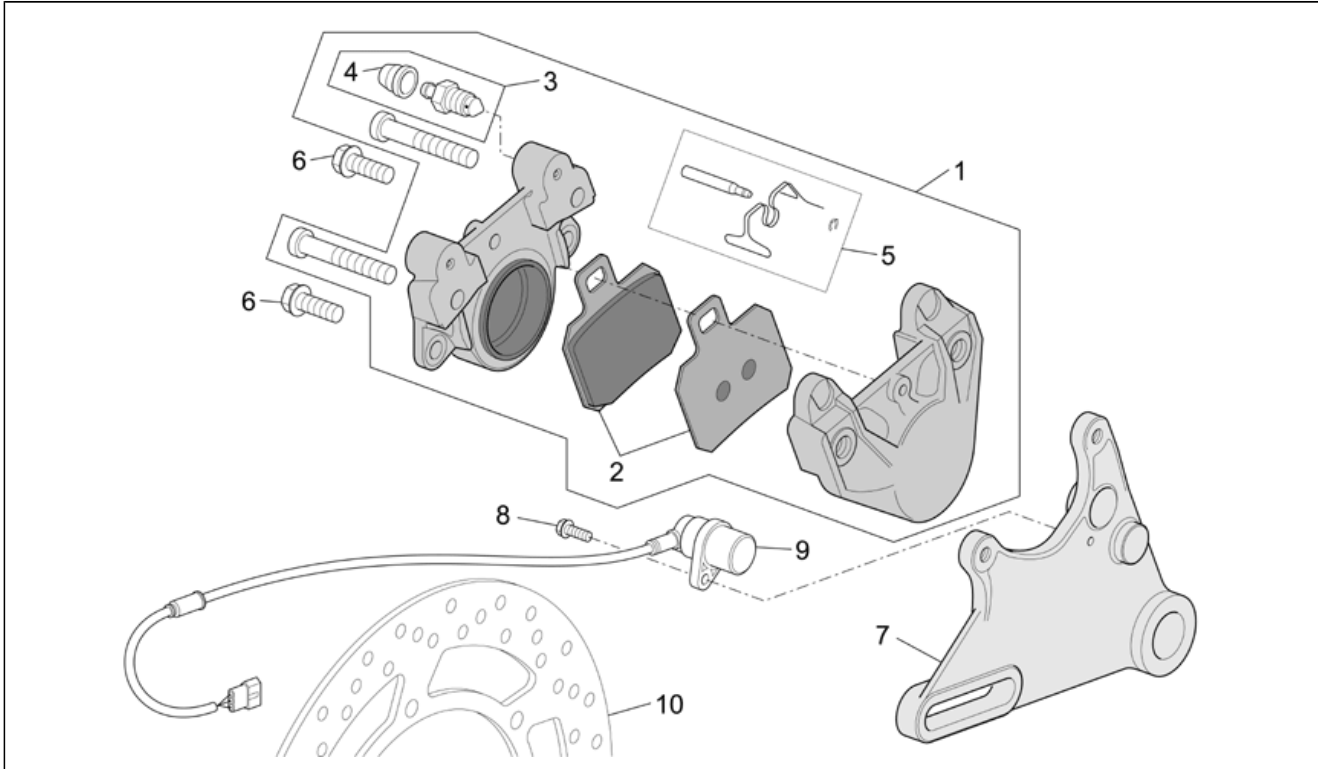
Pos.	Code	Description	Q.ty	Variants
33	AP8128004	Wheel speed sensor, left front	1	Technical Specifications: ABS brake system ETV Cap Nord Version[abs]
34	AP8127469	Sensor abs	1	Technical Specifications: ABS brake system ETV Cap Nord Version[abs]
35	AP8152246	Screw w/ flange	3	Technical Specifications: ABS brake system ETV Cap Nord Version[abs]
36	AP8121640	Bush	6	year: 2004[4] Technical Specifications: ABS brake system ETV Cap Nord Version[abs]
36	AP8121640	Bush	6	year: 2005[5], 2006[6], 2007[7] Technical Specifications: ABS brake system ETV Cap Nord Version[abs]
37	AP8121641	Ring	6	year: 2005[5], 2006[6], 2007[7] Technical Specifications: ABS brake system ETV Cap Nord Version[abs]
37	AP8121641	Ring	6	year: 2004[4] Technical Specifications: ABS brake system ETV Cap Nord Version[abs]
38	AP8152279	Screw w/ flange M6x20	1	Technical Specifications: ABS brake system ETV Cap Nord Version[abs]
39	AP8161025	Thrust washer	1	year: 2004[4] Technical Specifications: ABS brake system ETV Cap Nord Version[abs]
39	AP8161025	Thrust washer	1	year: 2005[5], 2006[6], 2007[7] Technical Specifications: ABS brake system ETV Cap Nord Version[abs]
40	AP8107150	Connecting link	1	

Assembly	FRAME
Code	28.36
Description	Rear master cylinder
Revision	1



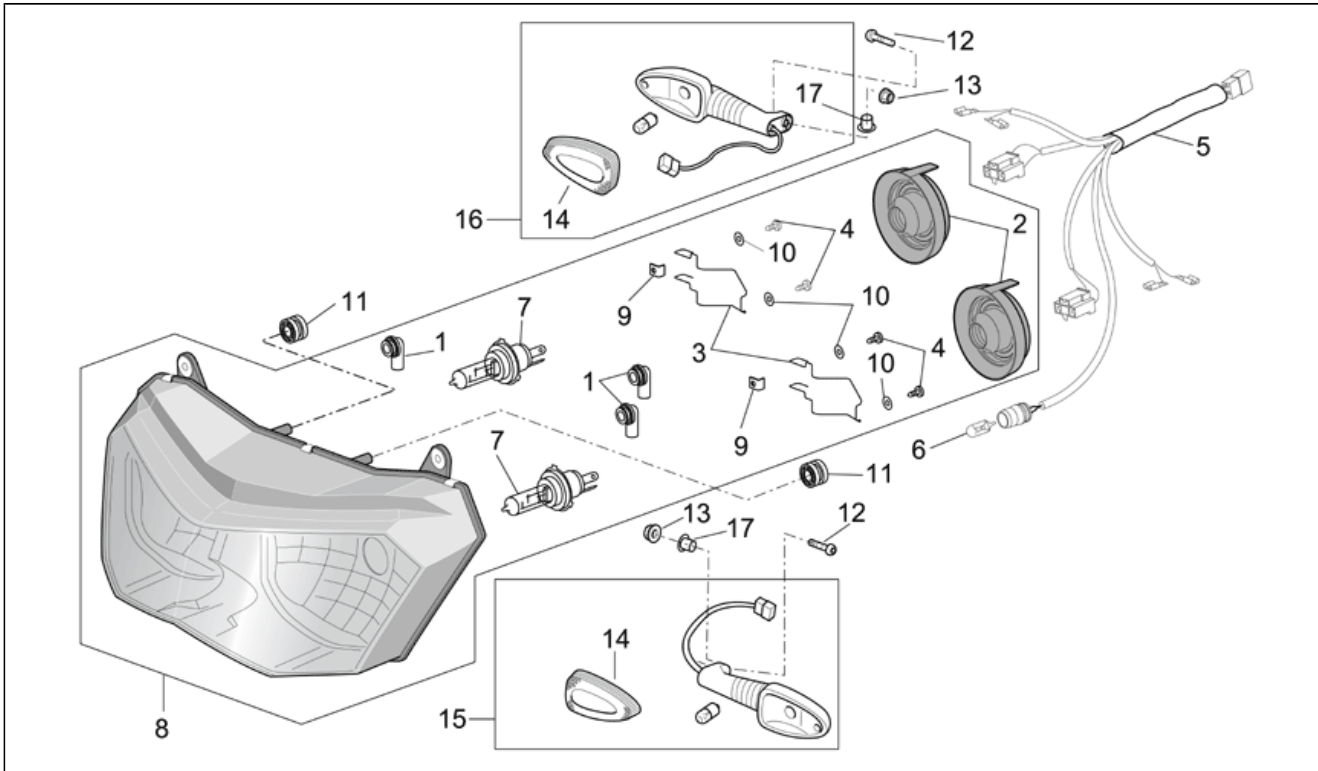
Pos.	Code	Description	Q.ty	Variants
1	AP8213057	Rear brake pump union	1	
2	AP8113288	Rubber bellows	1	
3	AP8134248	Master cylinder rod	1	
4	AP8113241	Brake oil tank complete	1	
5	AP8113553	Tank cap	1	
6	AP8152280	Screw w/ flange	4	
7	AP8152278	Screw w/ flange	1	
8	AP8150430	Low self-locking nut	1	
9	AP8121223	Rear brake lever pin	1	
10	AP8144007	O-ring 11,11x1,78	2	
11	AP8113081	Fork	1	
12	AP8113082	Gear selector fork clips	1	
13	AP8150026	Nut	2	
14	AP8150072	Hex screw M6x25	1	
15	AP8146196	Rear brake lever	1	
16	AP8125849	Brake return spring	1	
17	AP8113809	Rear brake hose	1	Technical Specifications: ETV Capo Nord Standard Version[std]
18	AP8113939	Rear master cylinder	1	Technical Specifications: ETV Capo Nord Standard Version[std]
18	AP8133643	Rear master cylinder	1	Technical Specifications: ABS brake system ETV Capo Nord Version[abs]
19	AP8121915	Gasket	2	
20	AP8113003	Oil pipe screw *	1	
21	AP8101595	Hose clamp D10,1*	2	
22	AP8144151	Rubber pipe	1	
23	AP8148337	Brake master cyl.protection	1	
24	AP8121504	Plug block	1	
25	AP8150429	Spring washer 6,4x11x0,5*	1	

Assembly	FRAME
Code	28.37
Description	Rear brake caliper
Revision	1



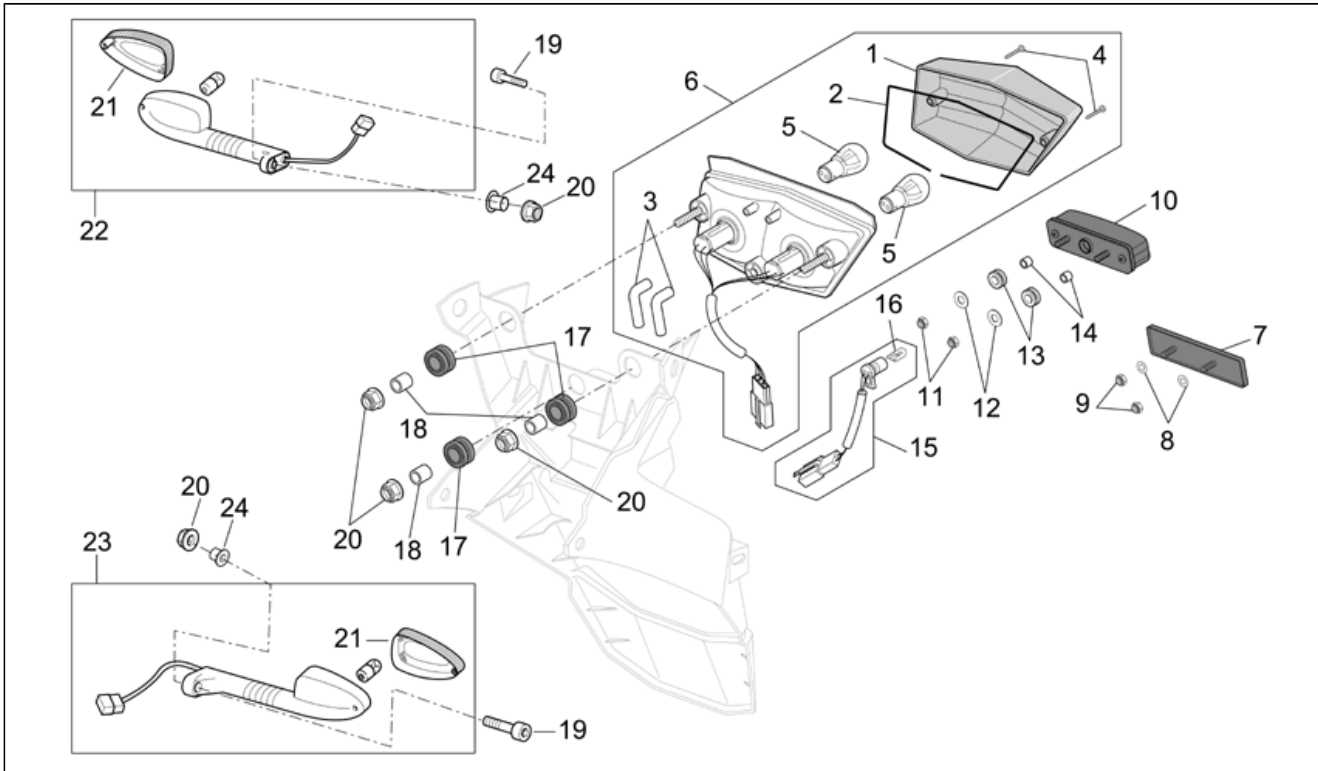
Pos.	Code	Description	Q.ty	Variants
1	AP8113810	Rear brake caliper	1	Technical Specifications: ETV Capo Nord Standard Version[std]
1	AP8133748	Rear brake caliper	1	Technical Specifications: ABS brake system ETV Capo Nord Version[abs]
2	AP8133542	Pads pair	1	
3	AP8113895	Air bleed valve	1	
4	AP8113070	Bleed valve cap	1	
5	AP8113752	Pin+split pin	1	
6	AP8152286	Screw w/ flange M8x20	2	
7	AP8134534	Brake hanger plate	1	Technical Specifications: ETV Capo Nord Standard Version[std]
7	AP8134933	Brake hanger plate	1	year: 2004[4] Technical Specifications: ABS brake system ETV Capo Nord Version[abs]
7	AP8146900	Brake hanger plate	1	year: 2004[4] Technical Specifications: ABS brake system ETV Capo Nord Version[abs]
7	AP8146900	Brake hanger plate	1	year: 2005[5], 2006[6], 2007[7] Technical Specifications: ABS brake system ETV Capo Nord Version[abs]
8	AP8152278	Screw w/ flange	1	
9	AP8124985	Speedometer sensor cpl.	1	
10	AP8113808	Rear brake disc	1	

Assembly	FRAME
Code	28.38
Description	Front lights
Revision	1



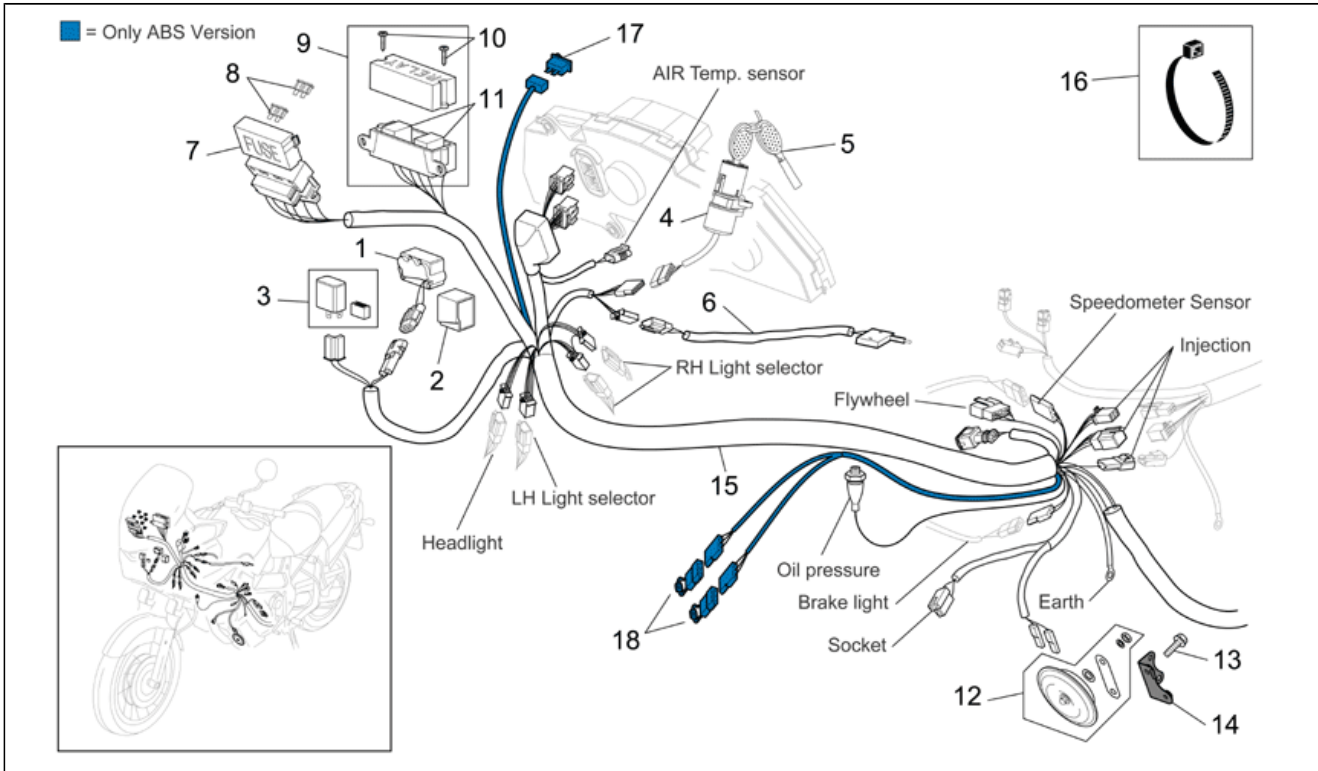
Pos.	Code	Description	Q.ty	Variants
1	AP8127160	Anti-condensate rubber	3	
2	AP8127161	Front headlight guard	2	
3	AP8127162	Spring	2	
4	AP8127163	Screw	4	
5	AP8127525	Headlight wiring w/harness	1	
6	AP8127164	Lamp W3W 12V	1	
7	AP8127121	Lamp H4 60/55W 12V	2	
8	AP8124587	Headlight	1	Country: DK, E, I[EU]
8	AP8127111	Headlight	1	Country: Australia[AA], Ireland[EI], Great Britain[UK]
8	AP8127124	Headlight	1	Country: United States of America[USA]
9	AP8127165	Lock plate	2	
10	AP8150199	Washer	4	
11	AP8220150	Rubber spacer *	2	
12	AP8150044	Hex socket screw	2	
13	AP8150430	Low self-locking nut	2	
14	AP8127552	Turn indicator lens	1	
15	AP8127515	LH front turn indicator	1	
16	AP8127514	RH front turn indicator	1	
17	AP8121929	T bush 6,5x8,6x9	2	

Assembly	FRAME
Code	28.39
Description	Rear lights
Revision	1



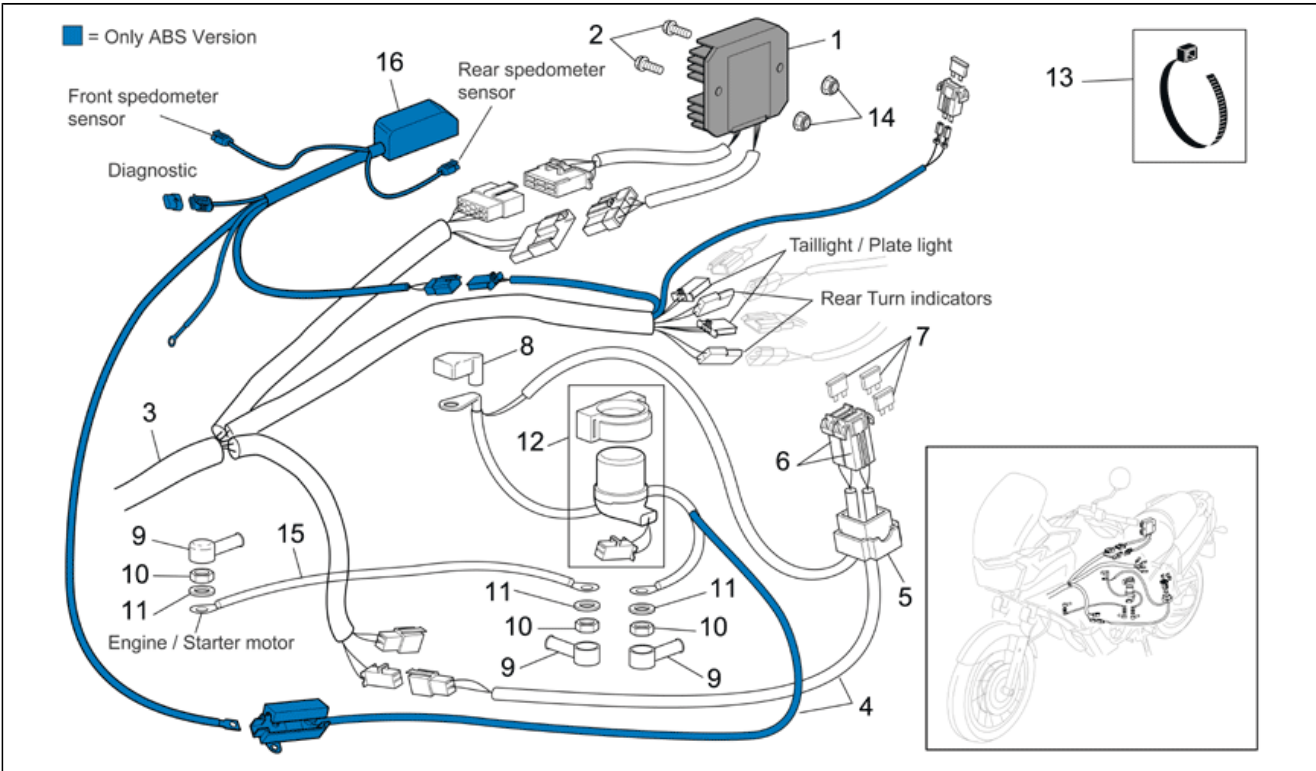
Pos.	Code	Description	Q.ty	Variants
1	AP8127170	Taillight lens	1	
2	AP8127166	Gasket D3	1	
3	AP8127171	Ventilation plug	2	
4	AP8127172	Self-tap screw 3,5x19	2	
5	AP8224389	Lamp P21/5W 12V	2	
6	AP8124583	Taillight	1	
7	AP8112916	Rear reflector	1	
8	AP8150158	Washer 4,3x9x0,8*	2	
9	AP8150204	Nut M4	2	
10	AP8212702	Number-plate light	1	
11	AP8150451	Low self-locking nut M5*	2	
12	AP8150382	Washer 15x5,5X1,2*	2	
13	AP8120405	Rubber spacer *	2	
14	AP8221036	Bush 5,3x8x7,1	2	
15	AP8127072	Plate light wiring	1	
16	AP8224393	Lamp WY5W 12V	1	
17	AP8220150	Rubber spacer *	3	
18	AP8221017	Spacer *	3	
19	AP8150044	Hex socket screw	2	
20	AP8150430	Low self-locking nut	2	
21	AP8127552	Turn indicator lens	1	
22	AP8127515	LH front turn indicator	1	
23	AP8127514	RH front turn indicator	1	
24	AP8121929	T bush 6,5x8,6x9	2	

Assembly	FRAME
Code	28.40
Description	Electrical system I
Revision	1



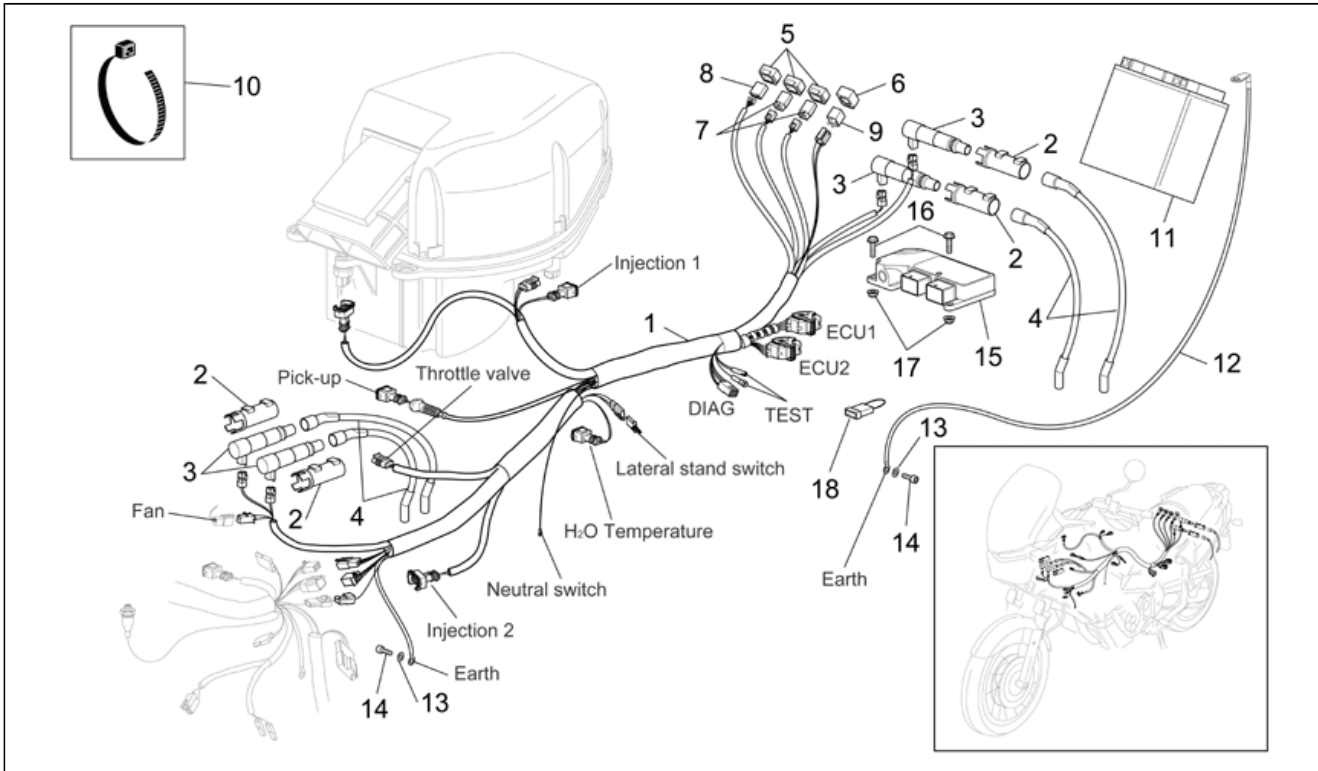
Pos.	Code	Description	Q.ty	Variants
1	AP8124266	Inclination sensor	1	
2	AP8144046	Rubber sensor support	1	
3	AP8124235	Flasher unit 12V 10+10W	1	
4	AP8104941	Main switch - steering lock	1	Country: United States of America[USA]
4	AP8124895	Main switch - steering lock	1	Country: Australia[AA], Ireland[EI], DK, E, I[EU], Great Britain[UK]
5	AP8104185	Aprilia milled key	1	
6	AP8113998	Microswitch	1	
7	AP8124274	Fuse holder box	1	
8	AP8112176	Fuse 15A	8	
9	AP8124293	Relais support	1	
10	AP8150421	Self-tap screw 2,9x12	2	
11	AP8124277	Relay 12v/30a	2	
12	AP8127509	Horn	1	
13	AP8152285	Screw w/ flange M8x16*	1	
14	AP8134678	Plate	1	
15	AP8127298	Main wiring harness	1	Technical Specifications: ETV Capo Nord Standard Version[std]
15	AP8127468	Main wiring harness	1	Technical Specifications: ABS brake system ETV Capo Nord Version[abs]
16	AP8120416	Black hose 178x4*	20	
17	AP8127470	Button	1	Technical Specifications: ABS brake system ETV Capo Nord Version[abs]
18	AP8127491	Diode	2	Technical Specifications: ABS brake system ETV Capo Nord Version[abs]

Assembly	FRAME
Code	28.41
Description	Electrical system II
Revision	1



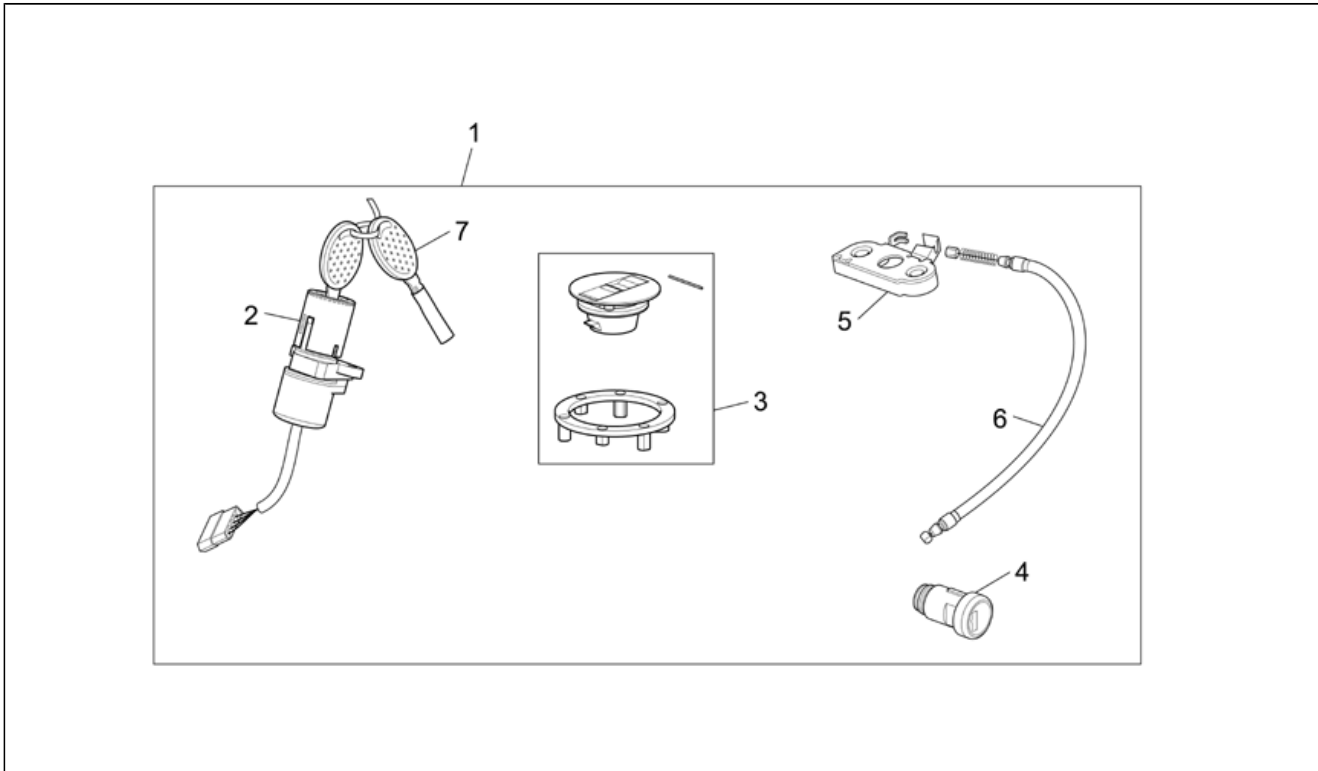
Pos.	Code	Description	Q.ty	Variants
1	AP8124831	Voltage regulator	1	
2	AP8152281	Screw w/ flange	2	
3	AP8127298	Main wiring harness	1	Technical Specifications: ETV Capo Nord Standard Version[std]
3	AP8127468	Main wiring harness	1	Technical Specifications: ABS brake system ETV Capo Nord Version[abs]
4	AP8124579	Fuse cable	1	Technical Specifications: ETV Capo Nord Standard Version[std]
4	AP8127467	Fuse cable	1	Technical Specifications: ABS brake system ETV Capo Nord Version[abs]
5	AP8112811	Rubber fuse box	1	
6	AP8120754	Rubber fuse box	2	
7	AP8124273	Fuse 30a	3	
8	AP8112940	Positive pole cap	1	
9	AP8120218	Terminal cap	3	
10	AP8150026	Nut	3	
11	AP8150429	Spring washer 6,4x11x0,5*	3	
12	AP8112927	Relay 12V-150A	1	
13	AP8120416	Black hose 178x4*	20	
14	AP8152299	Self-locking nut	2	
15	AP8124454	Relay-starter motor cable	1	
16	AP8127471	Control unit wiring	1	Technical Specifications: ABS brake system ETV Capo Nord Version[abs]

Assembly	FRAME
Code	28.42
Description	Electrical system III
Revision	1



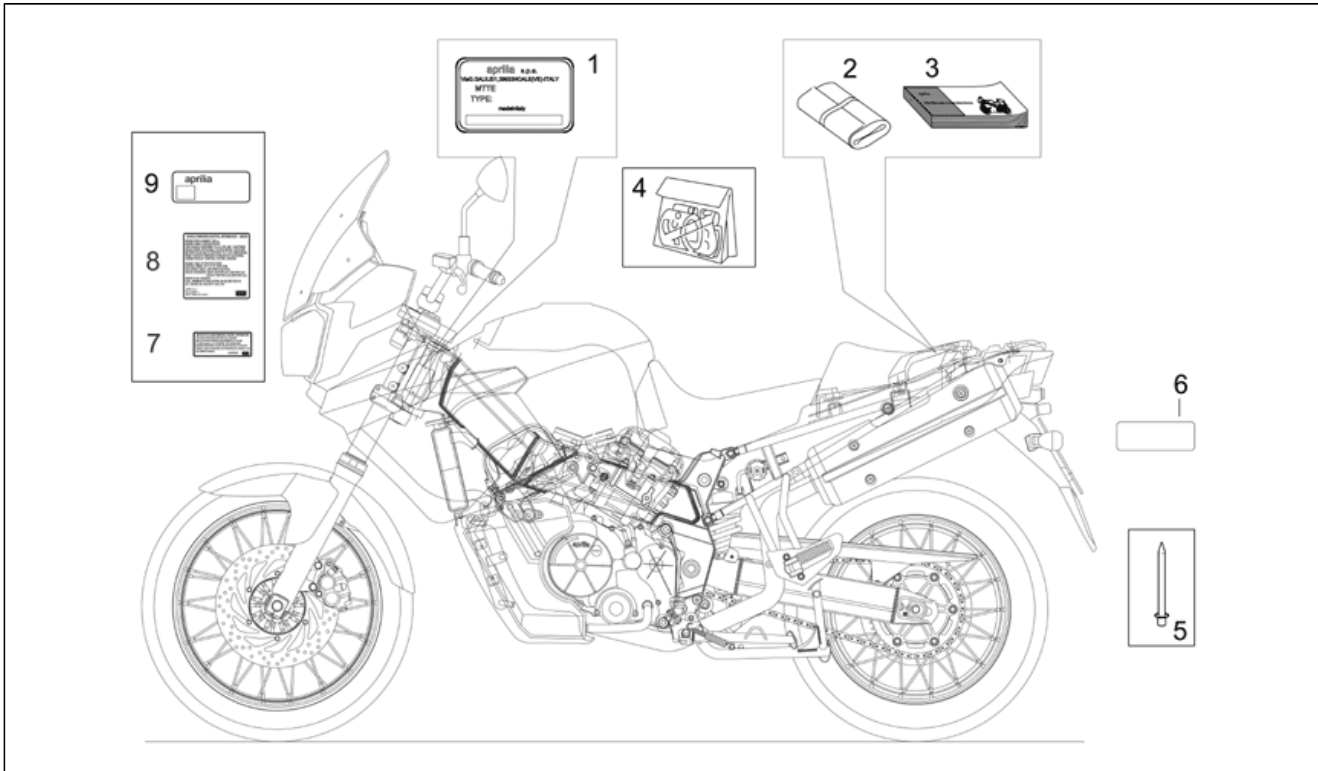
Pos.	Code	Description	Q.ty	Variants
1	AP8127235	Injection wiring	1	Country: United States of America[USA]
1	AP8127297	Injection wiring	1	Country: Australia[AA], Ireland[EI], DK, E, I[EU], Great Britain[UK]
2	AP8134653	Coil holder	4	
3	AP8124864	Coil	4	
4	AP8127115	HT wire	4	
5	AP8220283	Rubber spacer *	3	
6	AP8220546	Relay rubber	1	
7	AP8224462	Relay 12V/30A	2	
8	AP8124289	Diodes	1	
9	AP8124869	Injection relay	1	
10	AP8120416	Black hose 178x4*	20	
11	AP8124284	Battery 12v-12ah	1	
12	AP8127071	Ground-battery lead	1	
13	AP8150014	Washer 6,4x12,5*	2	
14	AP8152123	Hex socket screw	2	
15	AP8127343	ECU	1	
16	AP8152279	Screw w/ flange M6x20	2	
17	AP8152299	Self-locking nut	2	
18	AP8212382	Diode	1	

Assembly	FRAME
Code	28.43
Description	Lock hardware kit
Revision	1



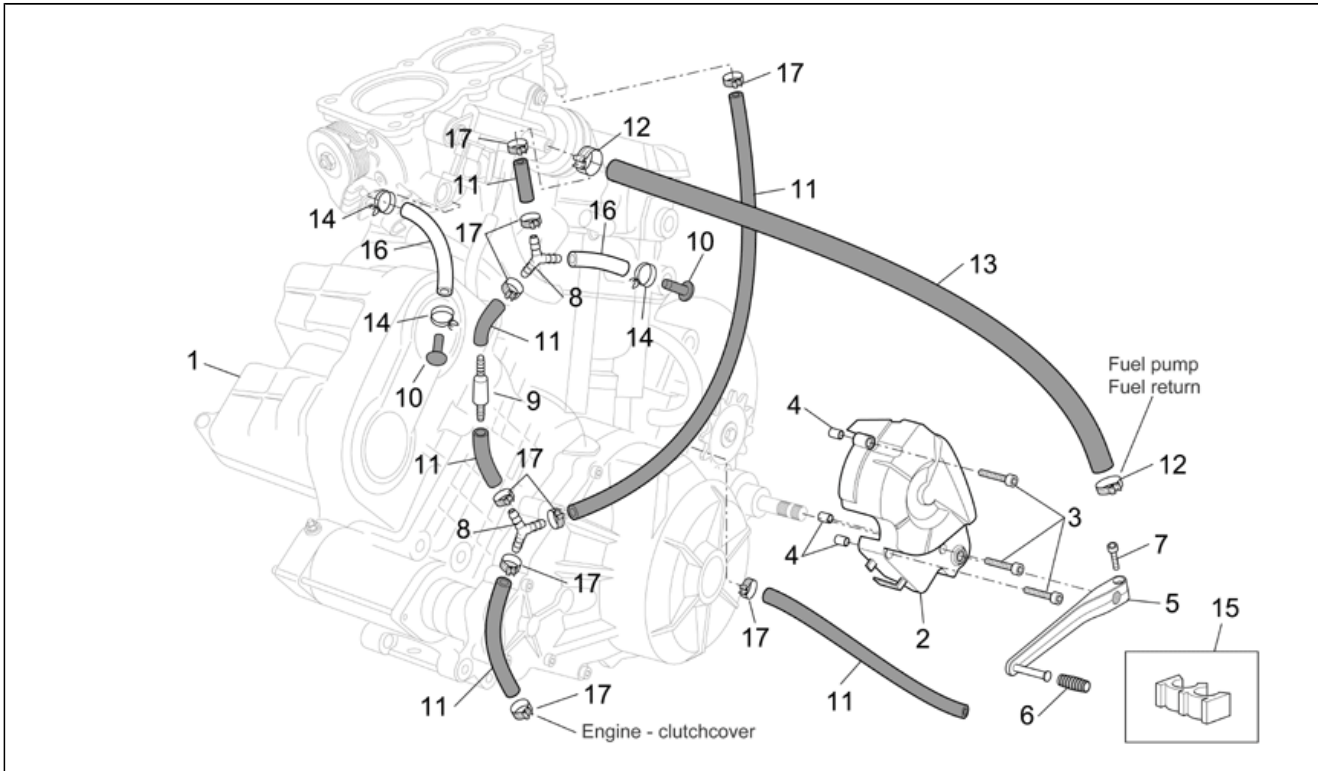
Pos.	Code	Description	Q.ty	Variants
1	AP8102974	Lock hardware kit	1	Country: Australia[AA], Ireland[EI], DK, E, I[EU], Great Britain[UK]
1	AP8104388	Lock hardware kit	1	Country: United States of America[USA]
2	AP8104941	Main switch - steering lock	1	Country: United States of America[USA]
2	AP8124895	Main switch - steering lock	1	Country: Australia[AA], Ireland[EI], DK, E, I[EU], Great Britain[UK]
3	AP8104529	Fuel filler cap	1	
4	AP8104154	Saddle lock	1	
5	AP8102913	Pass.saddle connecting plate	1	
6	AP8104345	Lock cable	1	
7	AP8104185	Aprilia milled key	1	

Assembly	FRAME
Code	28.44
Description	Decal and plate set
Revision	1



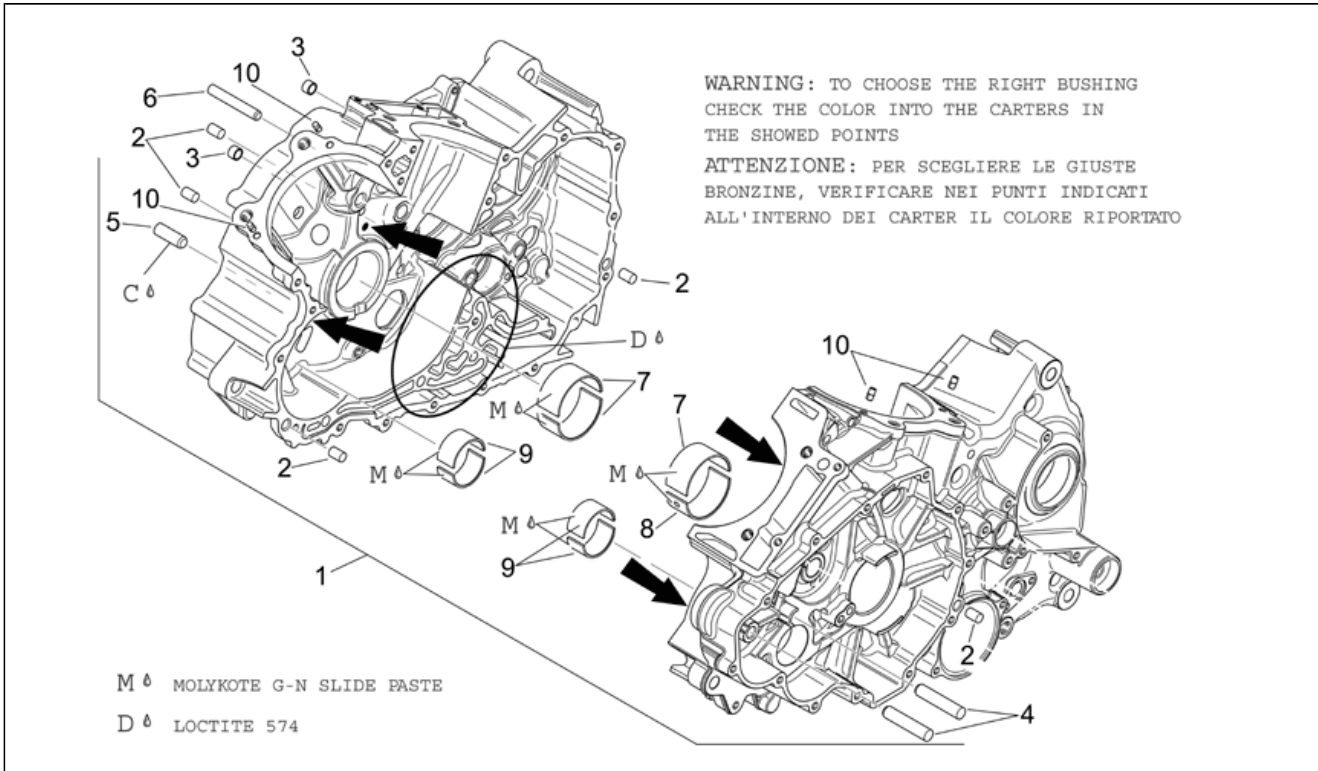
Pos.	Code	Description	Q.ty	Variants
1	AP8167651	Constructor dataplate	1	Country:United States of America[USA]
1	AP8167753	Constructor dataplate	1	
1	AP8177895	Constructor dataplate	1	Country:Australia[AA]
2	AP8102920	Toolkit	1	
3	AP8104595	Operator's handbook	1	Country:DK, E, I[EU]
3	AP8104781	Operator's handbook	1	Country:Australia[AA], Ireland[EI], Great Britain[UK]
3	AP8104918	Operator's handbook	1	Country:United States of America[USA]
4	AP8166233	Decal set	1	year: 2004[4] Color:Hilton Blue 2004[h.blu]
4	AP8166235	Decal set	1	year: 2004[4] Color:Dust Grey 2004[d.grey]
4	AP8166239	Decal set	1	year: 2004[4], 2005[5] Color:Titan Grey 2004-2005[t.grey]
4	AP8166491	Decal set	1	year: 2005[5], 2006[6] Color:Aprilia black 2005-2006 (s.t.14761)[a.blk]
5	AP8102728	Rivet 3x11	2	
6	AP8177086	Spark plug name plate	4	
7	AP8166613	Noise emission sticker	1	Country:United States of America[USA]
7	AP8177757	Noise emission sticker	1	Country:Australia[AA]
8	AP8166614	Emission control sticker	1	Country:United States of America[USA]
9	AP8157001	ECE dataplate	1	Country:Australia[AA]

Assembly	ENGINE
Code	29.31
Description	Engine
Revision	1



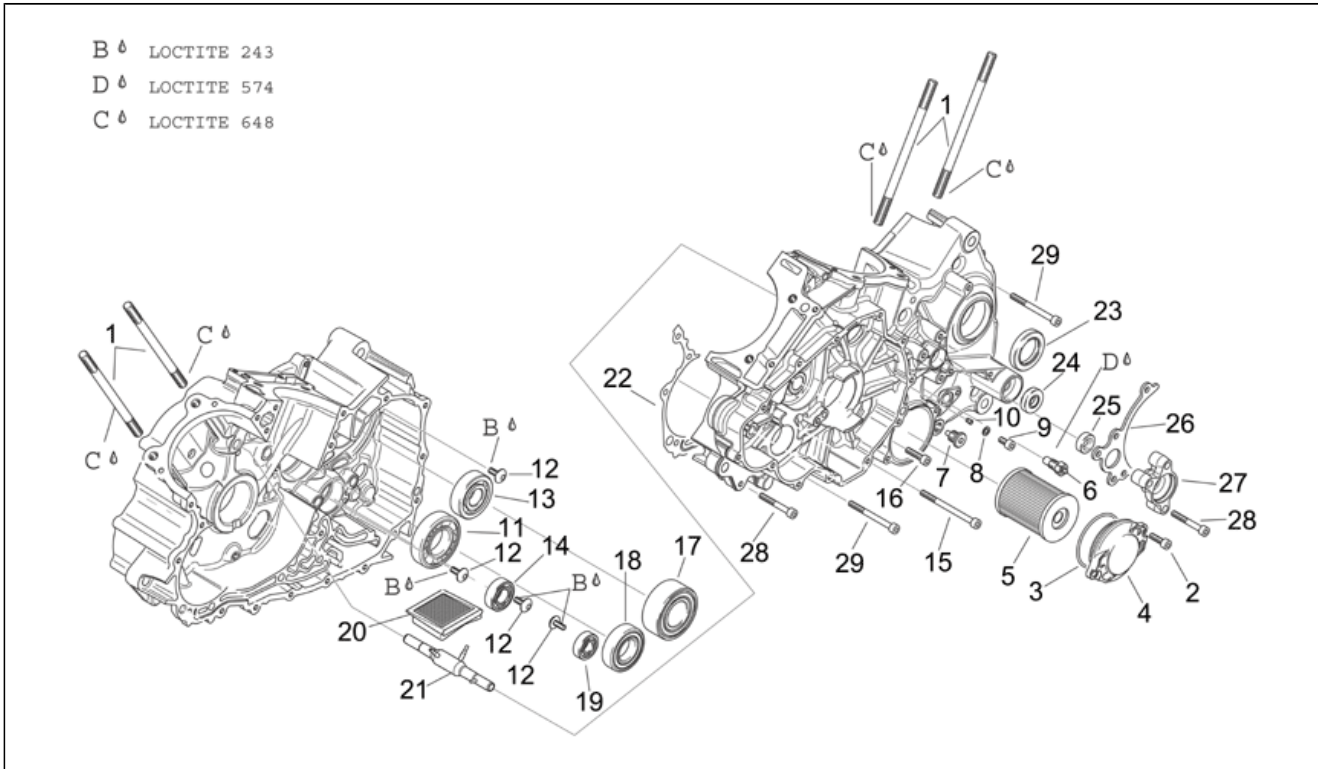
Pos.	Code	Description	Q.ty	Variants
1	AP8106918	Engine	1	
2	AP8106593	Sprocket cover, black	1	
3	AP8150220	Hex socket screw	3	
4	AP8221046	Spacer D6x8x13,5*	3	
5	AP8106594	Gear lever	1	
6	AP8120912	Lever rubber	1	
7	AP8150044	Hex socket screw	1	
8	AP8120116	3-way union	2	
9	AP8104251	Oil breather valve	1	
10	AP8120876	Plug	2	
11	AP8144015	Oil pipe 6x12	1	
12	AP8102903	Hose clip D16,5X6,6	2	
13	AP8144408	Fuel pipe 10x18	1	
14	AP8101595	Hose clamp D10,1*	3	
15	AP8201808	Cable-guide D8	2	
16	AP8144038	Fuel pipe 6x10	1	
17	AP8120446	Hose clip, green D11x6,6x1	9	

Assembly	ENGINE
Code	29.45
Description	Crankcases I
Revision	1



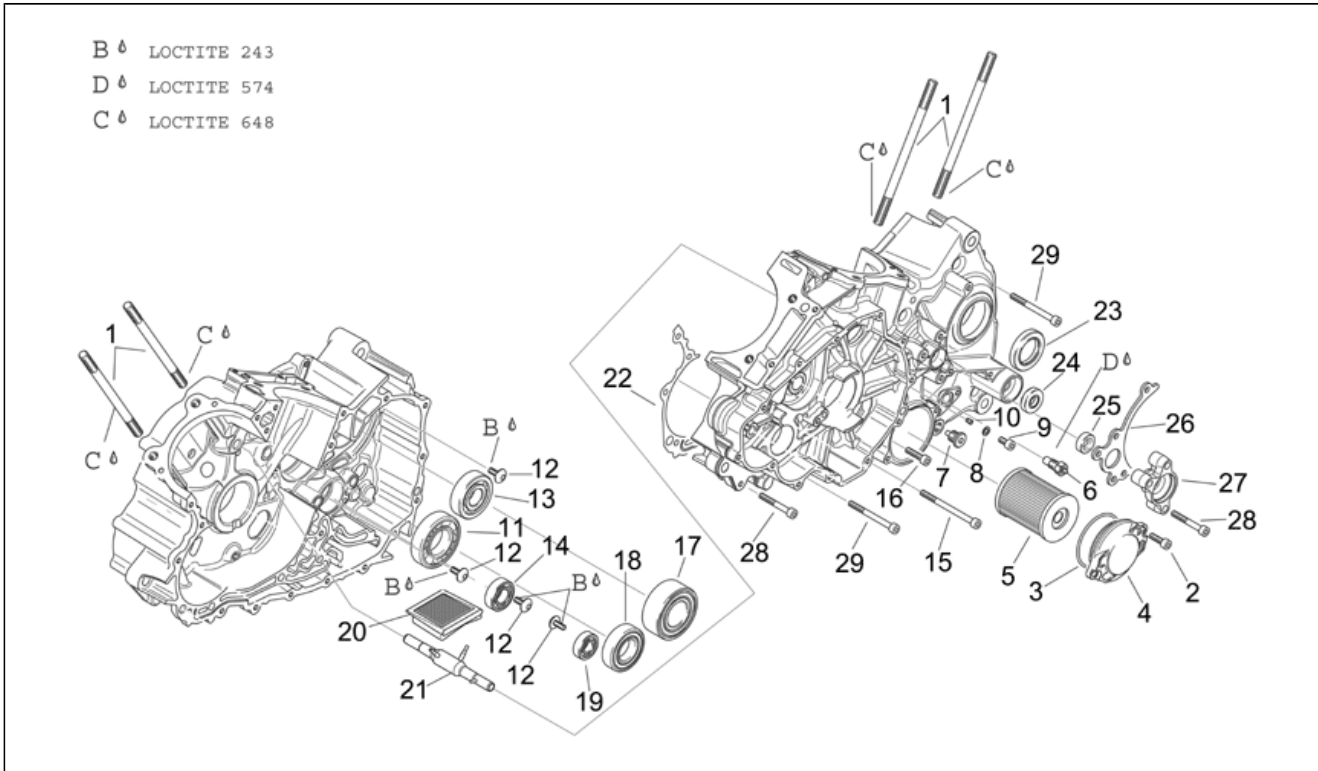
Pos.	Code	Description	Q.ty	Variants
1	AP0296961	Crankcase assy	1	
2	AP0632010	Pin M8x12	5	
3	AP0929500	Pin 10x8	2	
4	AP0229301	Pin M6x50	2	
5	AP0929930	Pin	1	
6	AP0229385	Pin	1	
7	AP0233745	Bushing half-shell, blue	3	
7	AP0233746	Bushing half-shell, red	3	
7	AP0233748	Bushing half-shell, yellow	3	
8	AP0233740	Bushing half-shell, blue	1	
8	AP0233741	Bushing half-shell, red	1	
8	AP0233743	Bushing half-shell, yellow	1	
9	AP0233711	Bushing half-shell, blue	4	
9	AP0233820	Bushing half-shell, red	4	
9	AP0233822	Bushing half-shell, yellow	4	
10	AP0929650	Pin 5x10	4	

Assembly	ENGINE
Code	29.46
Description	Crankcases II
Revision	1



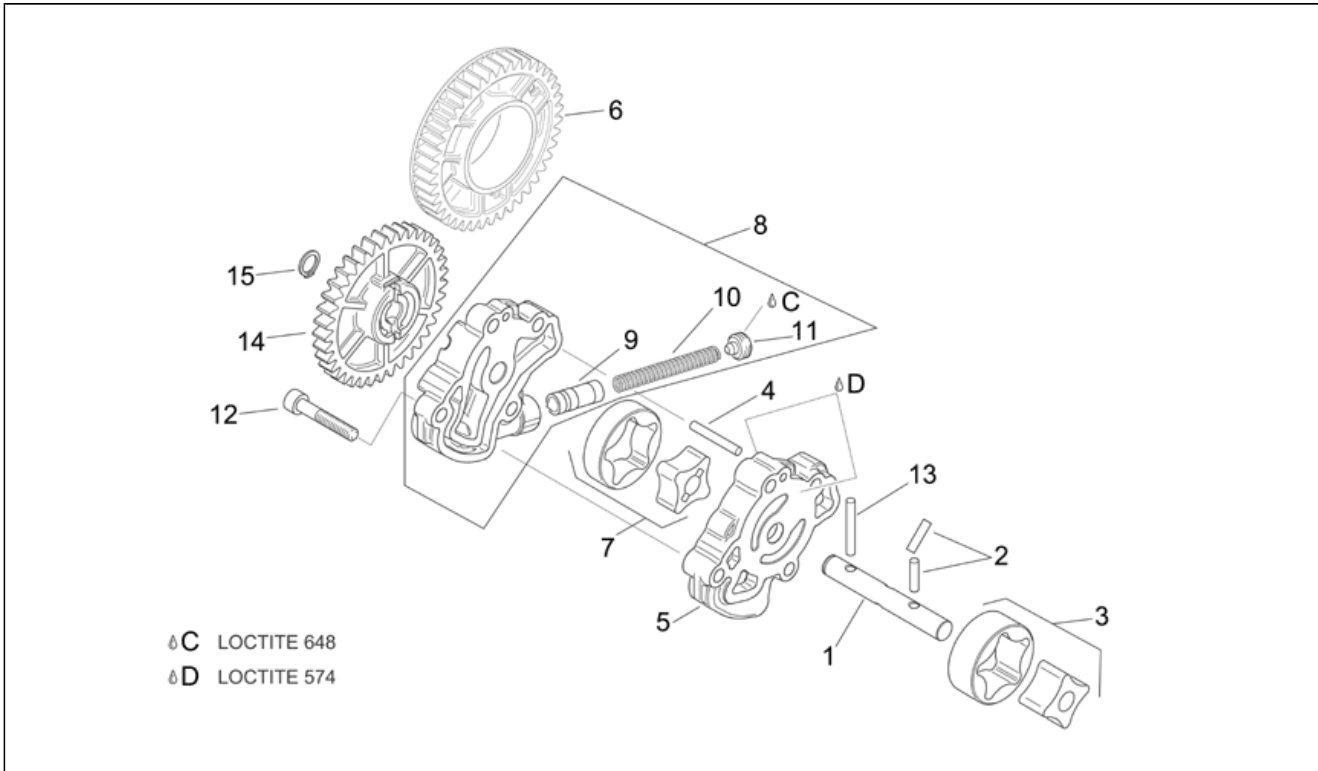
Pos.	Code	Description	Q.ty	Variants
1	AP0241580	Stud bolt m10x171	8	
2	AP0241932	Hex socket screw	2	
3	AP0650500	O-ring 59,52x2,62	1	
4	AP0210415	Oil filter cover	1	
5	AP0256187	Oil filter	1	
6	AP0241854	Neutral indicator switch m10	1	
7	AP0241782	Magnetic drain plug M12x1,5	1	
8	AP0950141	Gasket ring 8x13	1	
9	AP0241081	Hex socket screw M6x10	1	
10	AP0268740	Jet 60	1	
11	AP0932585	Ball bearing 6206	1	
12	AP0241531	Short head screw	4	
13	AP0832144	Ball bearing 6304	1	
14	AP0232625	Bearing 6003	1	
15	AP0241501	Hex socket screw M6x80	1	
16	AP0840861	Hex socket screw M6x25	1	
17	AP0632124	Angular bearing 3206	1	
18	AP0932428	Ball bearing 6205	1	
19	AP0932335	Ball bearing 16101	1	
20	AP0256497	Oil strainer	1	
21	AP0256526	Oil sprayer pipe	1	
22	AP0650337	Gasket	1	
23	AP0850050	Oil seal 40x47x7,5	1	
24	AP0250450	Oil seal 12x28x7	1	
25	AP0650320	Oil seal 11x22x7	1	
26	AP0236375	Chain guide	1	
27	AP0259500	Clutch disengagement flange	1	
28	AP0241821	Hex socket screw M6x45	8	

Assembly	ENGINE
Code	29.46
Description	Crankcases II
Revision	1



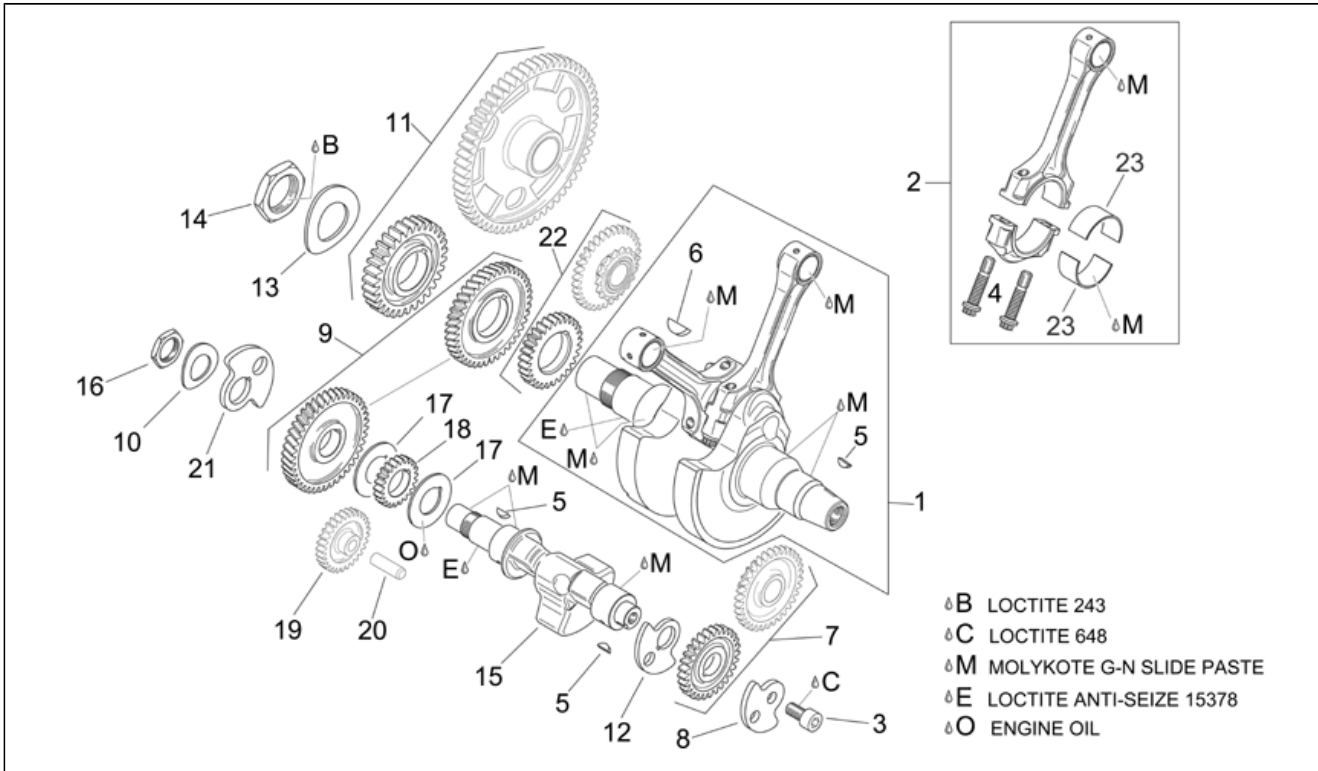
Pos.	Code	Description	Q.ty	Variants
29	AP0241261	Hex socket screw	13	

Assembly	ENGINE
Code	29.47
Description	Oil pump
Revision	1



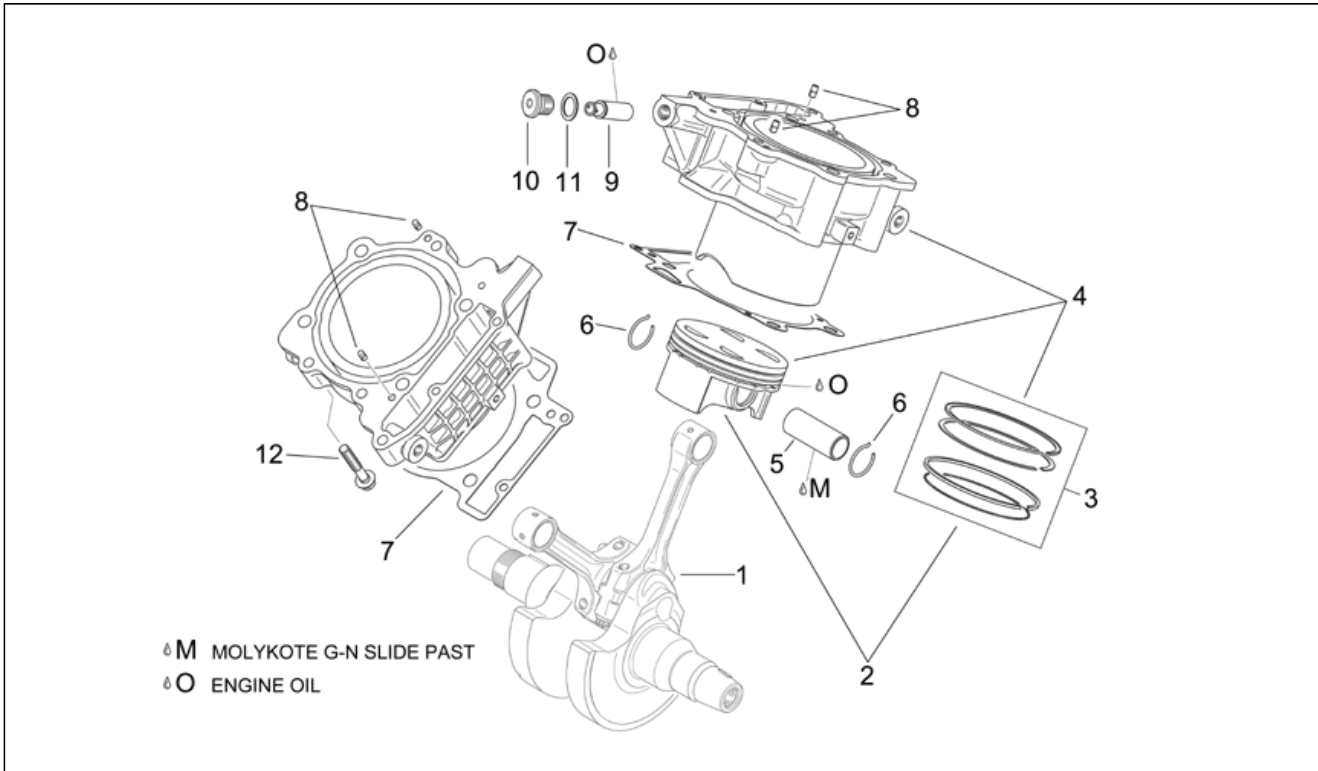
Pos.	Code	Description	Q.ty	Variants
1	AP0220423	Oil pump shaft assy.	1	
2	AP0232730	Pin 4x15,8	2	
3	AP0256680	Internal and external rotor	1	
4	AP0232970	Pin 4x25,8	1	
5	AP0211620	Oil pressing pump casing	1	
6	AP0634470	Oil pump gear z=42	1	
7	AP0956275	Internal and external rotor	1	
8	AP0211632	Oil pump cover cpl.	1	
9	AP0256510	Pressure adj. piston	1	
10	AP0239449	Spring	1	
11	AP0241650	Valve closer screw m12x1,5	1	
12	AP0241821	Hex socket screw M6x45	4	
13	AP0232430	Pin	1	
14	AP0634483	Oil pump gear z=37	1	
15	AP0245330	Circlip 10x1	1	

Assembly	ENGINE
Code	29.48
Description	Crankshaft I
Revision	1



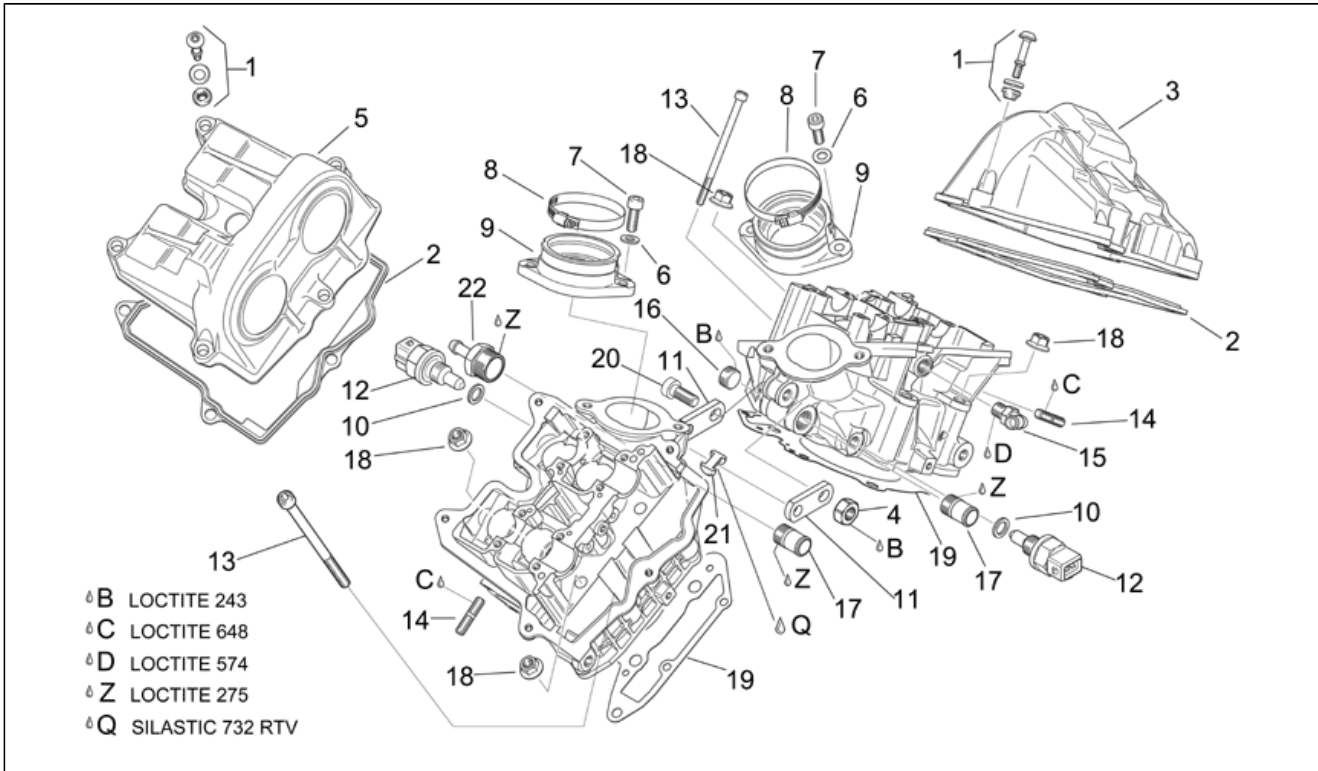
Pos.	Code	Description	Q.ty	Variants
1	AP0295663	Crankshaft cpl.	1	
2	AP0217346	Connecting rod cpl.	2	
3	AP0440260	Hex socket screw m10x20	1	
4	AP0640400	Connecting rod screw m10x1	4	
5	AP0246570	Transmission key 4x5	3	
6	AP0946015	Transmission key 6x9	1	
7	AP0295765	Timing system gear cpl.	1	
8	AP0219365	Ext.wheel side counterweight	1	
9	AP0295770	Balance shaft gear cpl.	1	
10	AP0245860	Spring washer	1	
11	AP0295780	Primary drive gear	1	
12	AP0219360	Int.wheel side counterweight	1	
13	AP0245840	Spring washer	1	
14	AP0242940	Nut m33x1,5	1	
15	AP0220372	Lower balance shaft	1	
16	AP0242874	Nut	1	
17	AP0627200	Washer 24x54x2	2	
18	AP0634610	Water pump gear z=27	1	
19	AP0634500	Idle gear z=28	1	
20	AP0929930	Pin	1	
21	AP0219350	Clutch side counterweight	1	
22	AP0295760	Timing system gear cpl.	1	
23	AP0233721	Bushing,red 42x45x19	2	
23	AP0233722	Bushing,blue 42x45x19	2	
23	AP0233723	Bushing,yellow 42x45x19	2	

Assembly	ENGINE
Code	29.49
Description	Crankshaft II
Revision	1



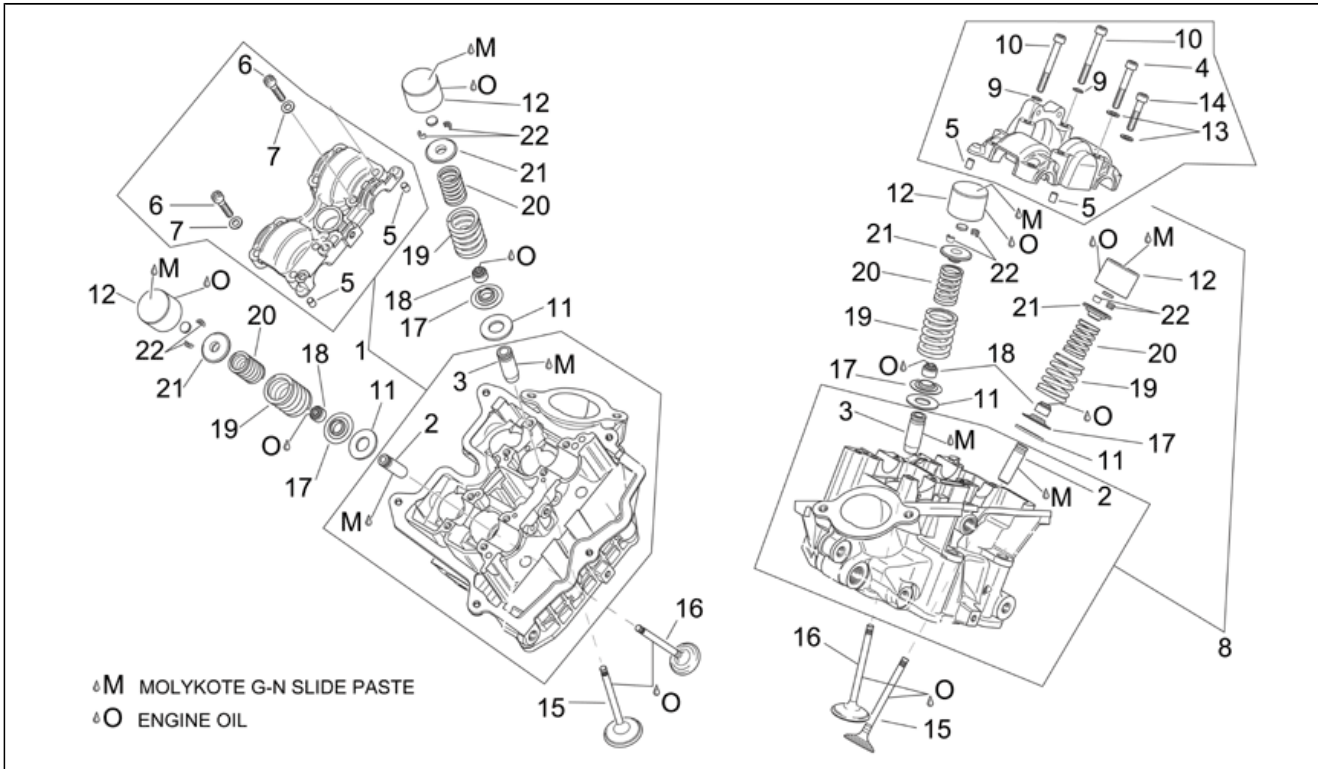
Pos.	Code	Description	Q.ty	Variants
1	AP0295663	Crankshaft cpl.	1	
2	AP0684315	Piston assy 96,944 mm (A)	2	
2	AP0684316	Piston assy 96,956 mm (B)	2	
3	AP0295858	Piston ring set	2	
4	AP0613511	Cylinder with piston	2	
5	AP0216222	Piston pin 22x14x55	2	
6	AP0245436	Stop ring 22	4	
7	AP0650390	Cylinder base gasket	2	
8	AP0929650	Pin 5x10	4	
9	AP0236252	Chain tensioner assy.	2	
10	AP0640450	Plug	2	
11	AP0430622	Gasket ring 16x22	2	
12	AP0940637	Screw w/ flange m8x45	8	

Assembly	ENGINE
Code	29.50
Description	Valves cover
Revision	1



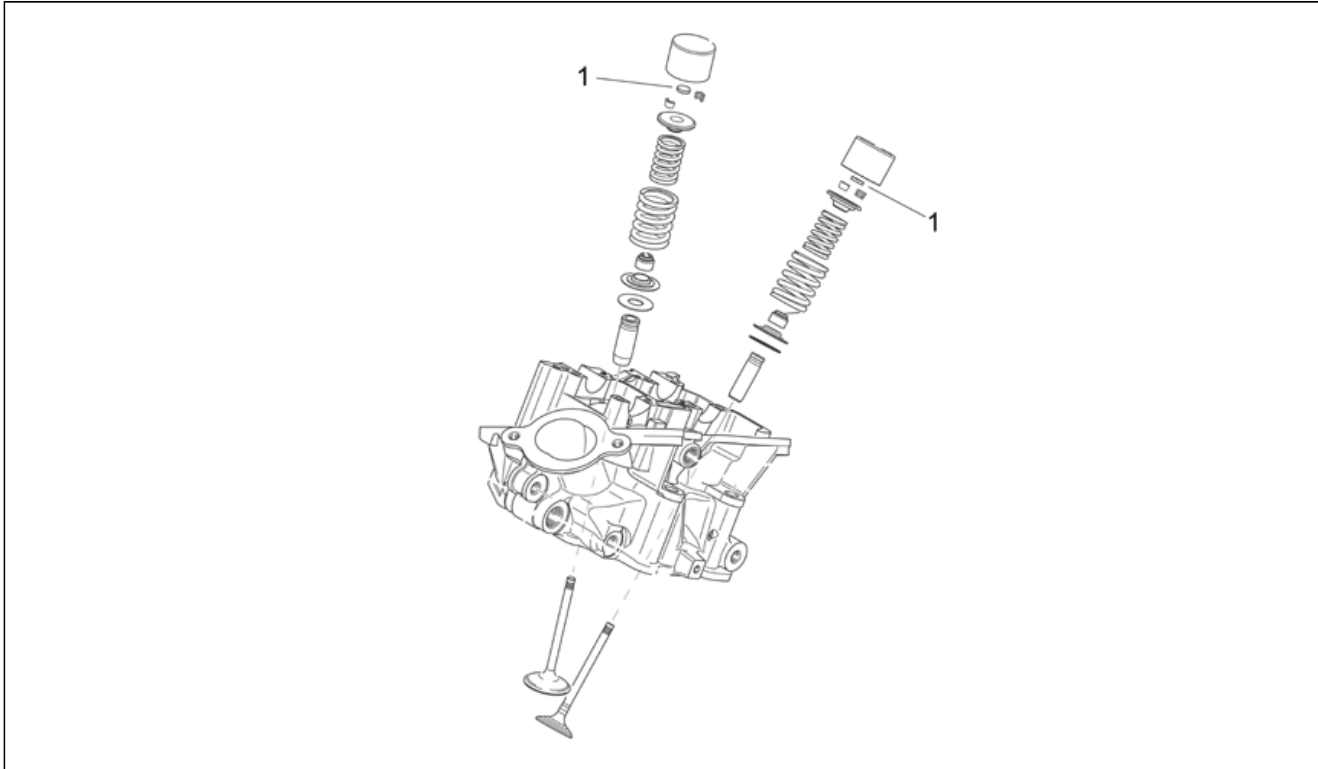
Pos.	Code	Description	Q.ty	Variants
1	AP0241625	Spacer screw cpl.	10	
2	AP0650345	Valve cover gasket	2	
3	AP0211667	Rear valves cover	1	
4	AP0242091	Nut M10	2	
5	AP0211662	Front valves cover	1	
6	AP0250311	Washer 8,4	4	
7	AP0240081	Hex socket screw M8x25	4	
8	AP0251830	Hose clamp 65	2	
9	AP0267150	Intake flange	2	
10	AP0250640	Gasket ring 12x18	2	
11	AP0251100	Plate	2	
12	AP8124868	Temp. Sensor	2	
13	AP0241601	Hex socket screw	4	
14	AP0241560	Stud bolt m8x16x20	6	
15	AP0922245	Angular union	1	
16	AP0240170	Plug m18x1,5	1	
17	AP0224090	Pipe	2	
18	AP0242851	Nut m10	8	
19	AP0650210	Cylinder head gasket	2	
20	AP0640581	Hex socket screw M10x40	2	
21	AP0660010	Plug	1	
22	AP0224690	Breather nipple	1	

Assembly	ENGINE
Code	29.51
Description	Cylinder head and valves
Revision	1



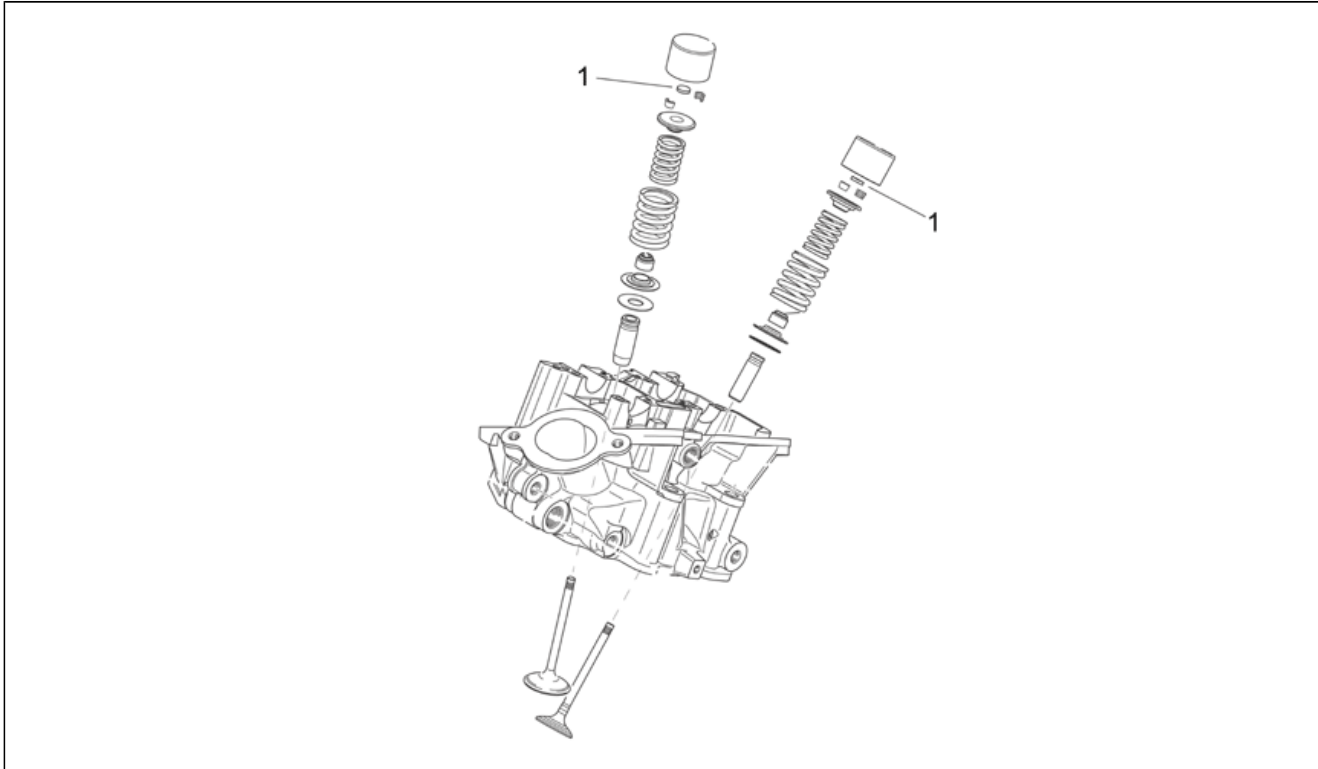
Pos.	Code	Description	Q.ty	Variants
1	AP0613405	Front cylinder head cpl.	1	
2	AP0253926	Exhaust valve guide	4	
3	AP0253921	Intake valve guide	4	
4	AP0241821	Hex socket screw M6x45	2	
5	AP0232210	Pin 6x8	4	
6	AP0840880	Hex socket screw M6x30	8	
7	AP0927945	Washer 6,2x12x1	8	
8	AP0623153	Rear cylinder head cpl.	1	
9	AP0927863	Washer 6,1x9,8x1	2	
10	AP0240331	Hex socket screw	2	
11	AP0227980	Thrust washer	8	
12	AP0253990	Valve lifter bucket	8	
13	AP0927945	Washer 6,2x12x1	6	
14	AP0840880	Hex socket screw M6x30	4	
15	AP0254027	Exhaust valve 31mm	4	
16	AP0254011	Intake valve 36 mm	4	
17	AP0253965	Valve spring plate	8	
18	AP0230510	Valve stem seal	8	
19	AP0239520	Ext. valve spring	8	
20	AP0239510	Int. valve spring	8	
21	AP0253956	Valve spring plate	8	
22	AP0253645	Valve half-cone	16	

Assembly	ENGINE
Code	29.52
Description	Valves pads
Revision	1



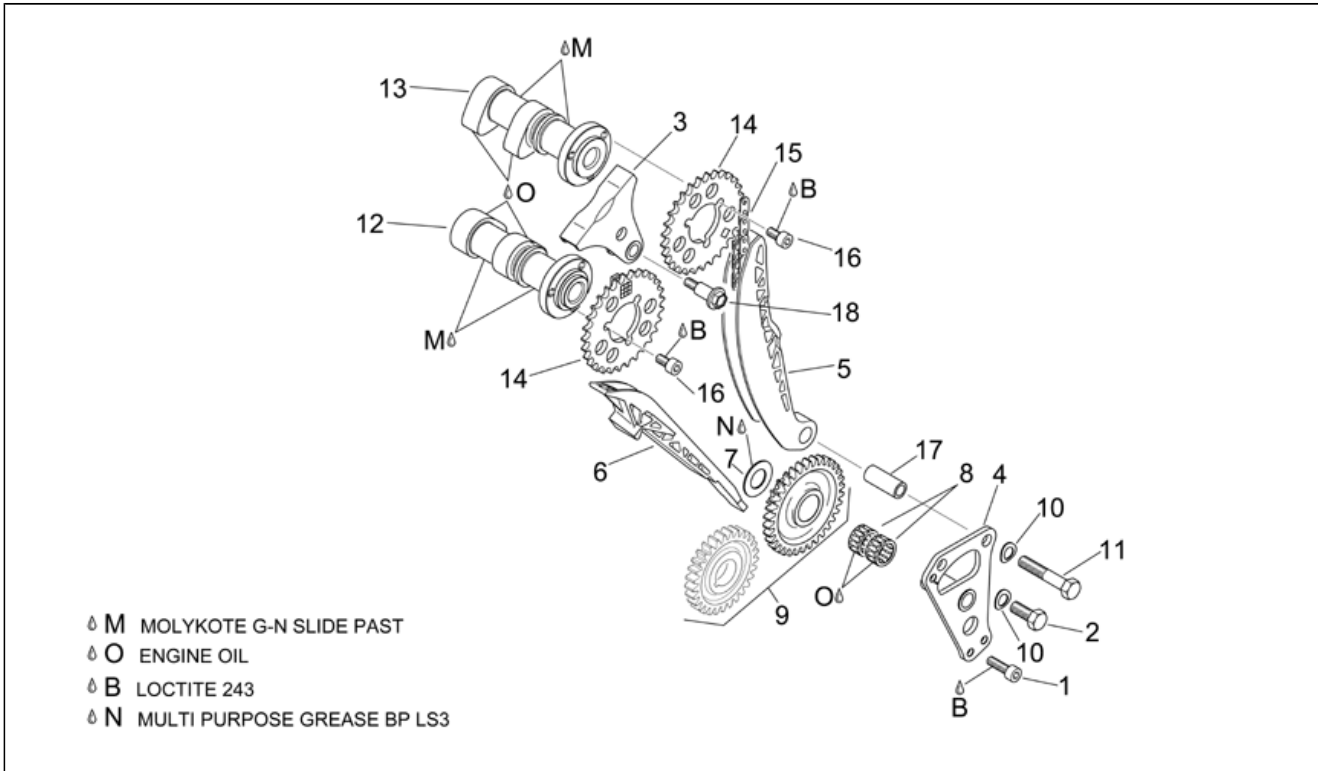
Pos.	Code	Description	Q.ty	Variants
1	AP0253974	Pad 2,3	1	
1	AP0253975	Pad 2,35	1	
1	AP0253976	Pad 2,4	1	
1	AP0253977	Pad 2,45	1	
1	AP0253978	Pad 2,5	1	
1	AP0253979	Pad 2,55	1	
1	AP0253980	Pad 2,6	1	
1	AP0253981	Pad 2,65	1	
1	AP0253982	Pad 2,7	1	
1	AP0253983	Pad 2,75	1	
1	AP0253984	Pad 2,8	1	
1	AP0253985	Pad 2,85	1	
1	AP0253986	Pad 2,9	1	
1	AP0253987	Pad 2,95	1	
1	AP0253988	Pad 3,00	1	
1	AP0254030	Pad 2,325	1	
1	AP0254031	Pad 2,375	1	
1	AP0254032	Pad 2,425	1	
1	AP0254033	Pad 2,475	1	
1	AP0254034	Pad 2,525	1	
1	AP0254035	Pad 2,575	1	
1	AP0254036	Pad 2,625	1	
1	AP0254037	Pad 2,675	1	
1	AP0254038	Pad 2,725	1	
1	AP0254039	Pad 2,775	1	
1	AP0254040	Pad 2,825	1	
1	AP0254041	Pad 2,875	1	
1	AP0254042	Pad 2,925	1	

Assembly	ENGINE
Code	29.52
Description	Valves pads
Revision	1



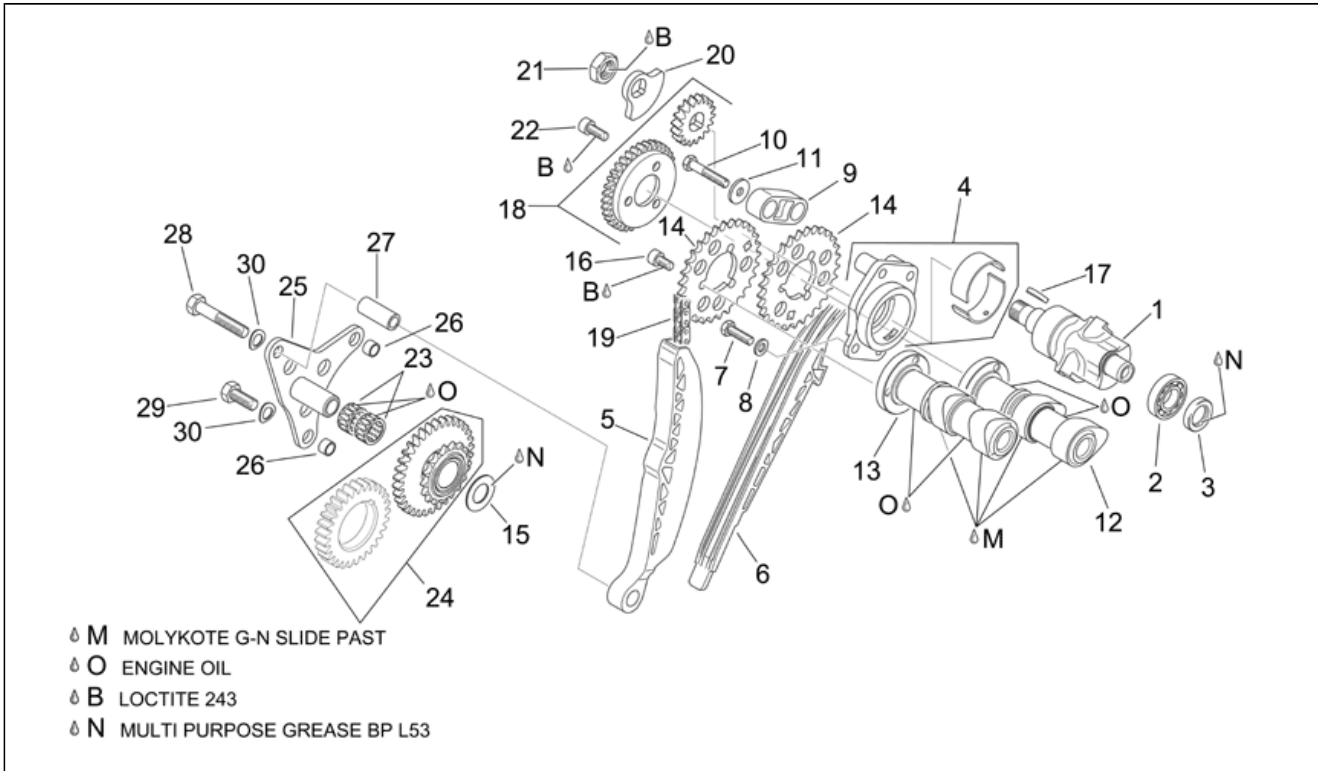
Pos.	Code	Description	Q.ty	Variants
1	AP0254043	Pad 2,975	1	

Assembly	ENGINE
Code	29.53
Description	Front cylinder timing system
Revision	1



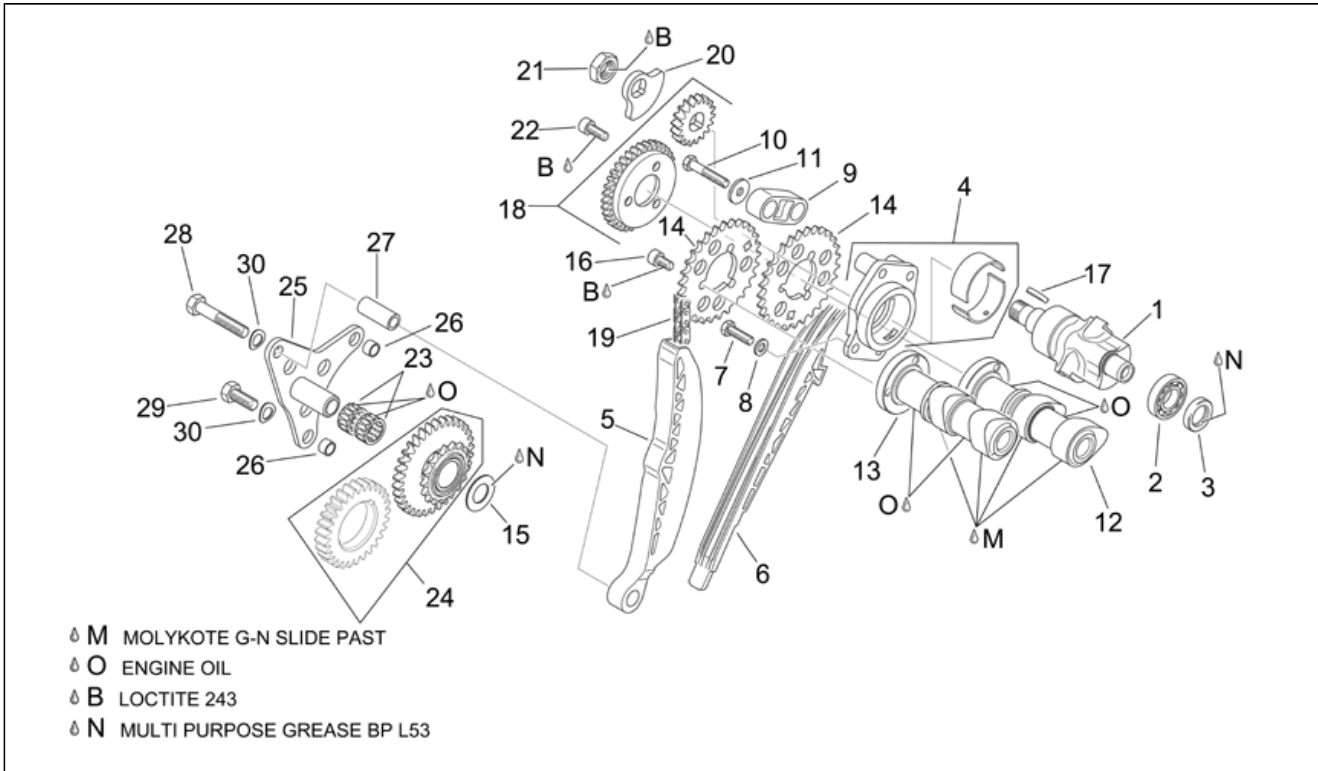
Pos.	Code	Description	Q.ty	Variants
1	AP0240400	Hex socket screw	1	
2	AP0940590	Hex screw M8x20	1	
3	AP0236320	Chain guide	1	
4	AP0211766	Bearings support Plate	1	
5	AP0236300	Chain guide	1	
6	AP0236310	Chain guide	1	
7	AP0627190	Washer 16,7x29x1	1	
8	AP0632161	Roller cage 16x22x10	2	
9	AP0295765	Timing system gear cpl.	1	
10	AP0845030	Spring washer b8	2	
11	AP0940631	Hex screw m8x45	1	
12	AP0220387	Exhaust camshaft	1	
13	AP0220382	Intake camshaft	1	
14	AP0634730	Timing system gear z=29	2	
15	AP0297957	Camshaft chain	1	
16	AP0840371	Hex socket screw M6x11,5	6	
17	AP0247980	Bush 8,2x12x25	1	
18	AP0240960	Spacer screw	2	

Assembly	ENGINE
Code	29.54
Description	Rear cylinder timing system
Revision	1



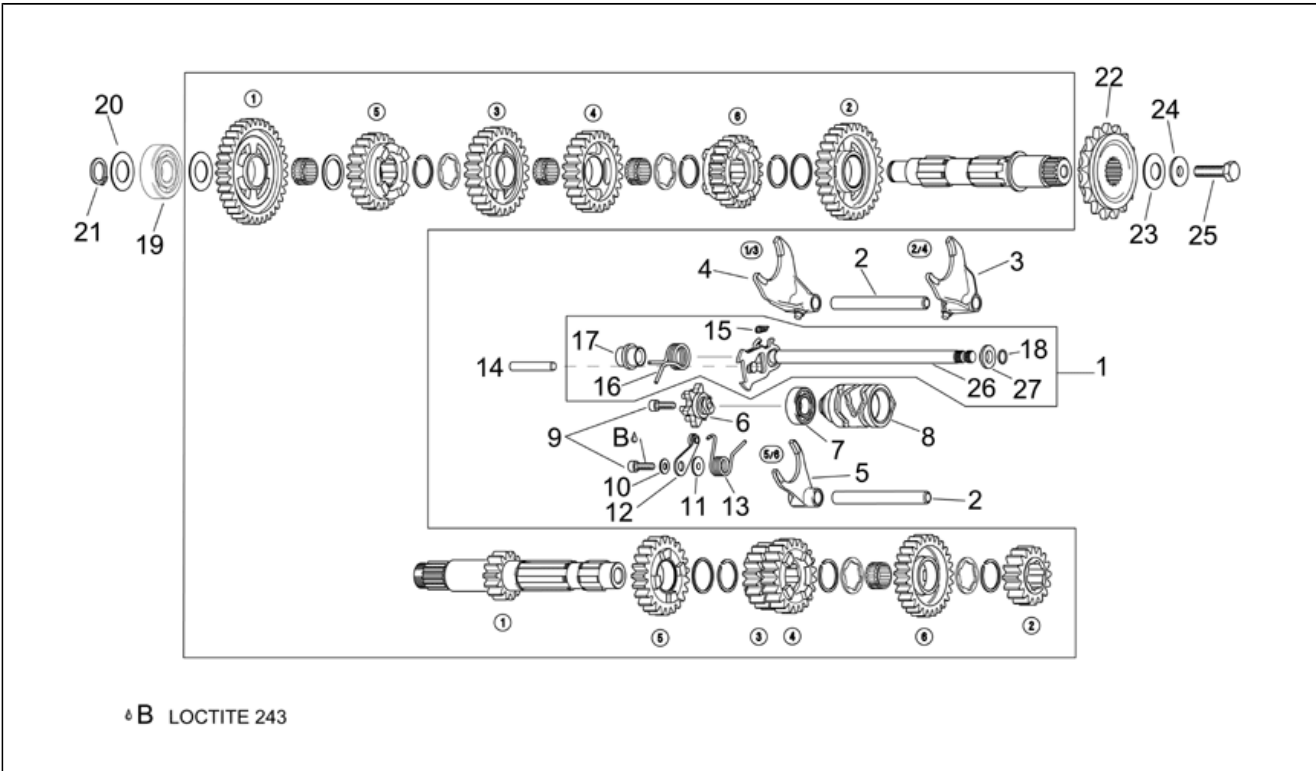
Pos.	Code	Description	Q.ty	Variants
1	AP0220440	Upper balance shaft	1	
2	AP0832360	Ball bearing 16002	1	
3	AP0250130	Oil seal 15x24x5	1	
4	AP0211683	Bushing plate cpl.	1	
5	AP0236300	Chain guide	1	
6	AP0236310	Chain guide	1	
7	AP0940560	Hex screw	2	
8	AP0244211	Washer 6,4	2	
9	AP0236380	Chain guide	1	
10	AP0941121	Hex screw	2	
11	AP0827305	Washer 6,2x18x2	2	
12	AP0220387	Exhaust camshaft	1	
13	AP0220382	Intake camshaft	1	
14	AP0634730	Timing system gear z=29	2	
15	AP0627190	Washer 16,7x29x1	1	
16	AP0840371	Hex socket screw M6x11,5	3	
17	AP0246055	Transmission key 3x3,7	1	
18	AP0295775	Upper balance shaft gear cpl.	1	
19	AP0297957	Camshaft chain	1	
20	AP0219340	Counterweight	1	
21	AP0942570	Nut m14	1	
22	AP0840391	Hex socket screw	3	
23	AP0632161	Roller cage 16x22x10	2	
24	AP0295760	Timing system gear cpl.	1	
25	AP0211756	Roller cage plate	1	
26	AP0929500	Pin 10x8	2	
27	AP0247980	Bush 8,2x12x25	1	
28	AP0940631	Hex screw m8x45	1	

Assembly	ENGINE
Code	29.54
Description	Rear cylinder timing system
Revision	1



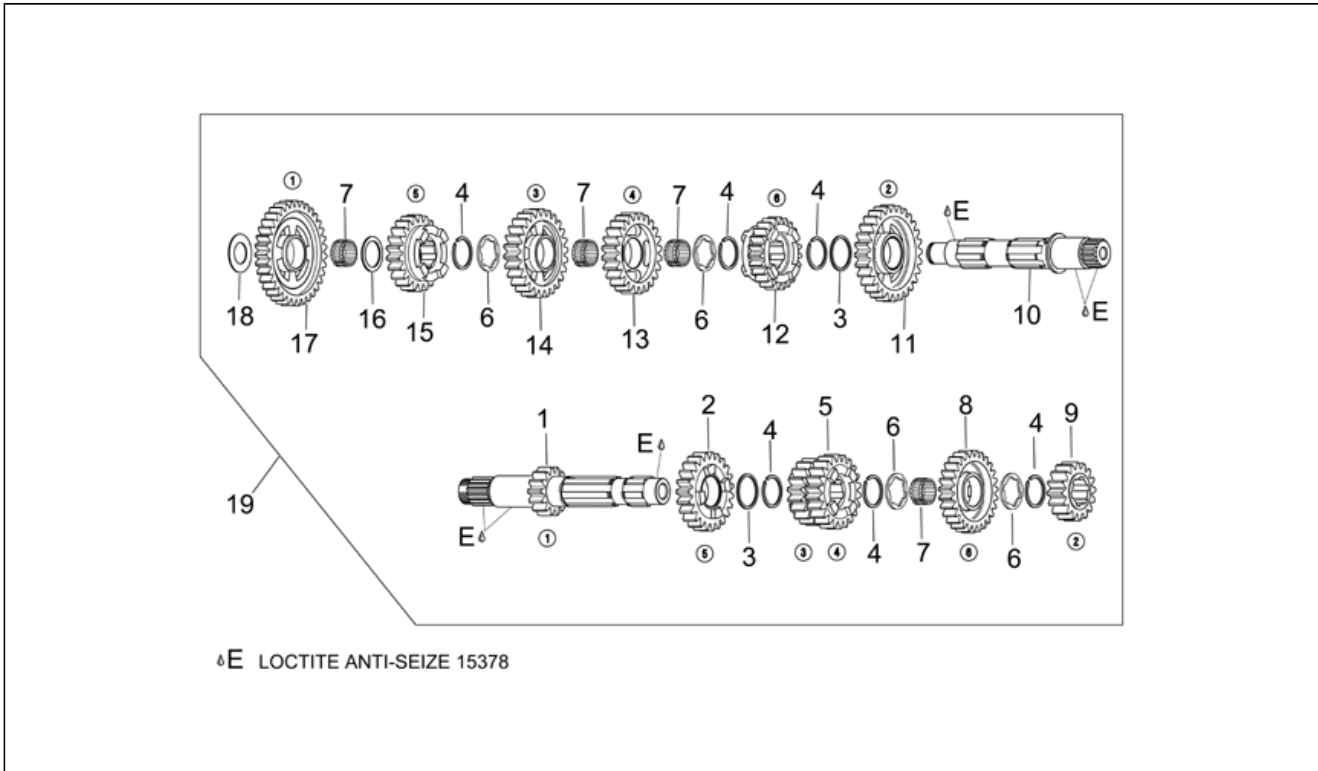
Pos.	Code	Description	Q.ty	Variants
29	AP0240275	Hex screw m8x25	2	
30	AP0845030	Spring washer b8	3	

Assembly	ENGINE
Code	29.55
Description	Gear box selector
Revision	1



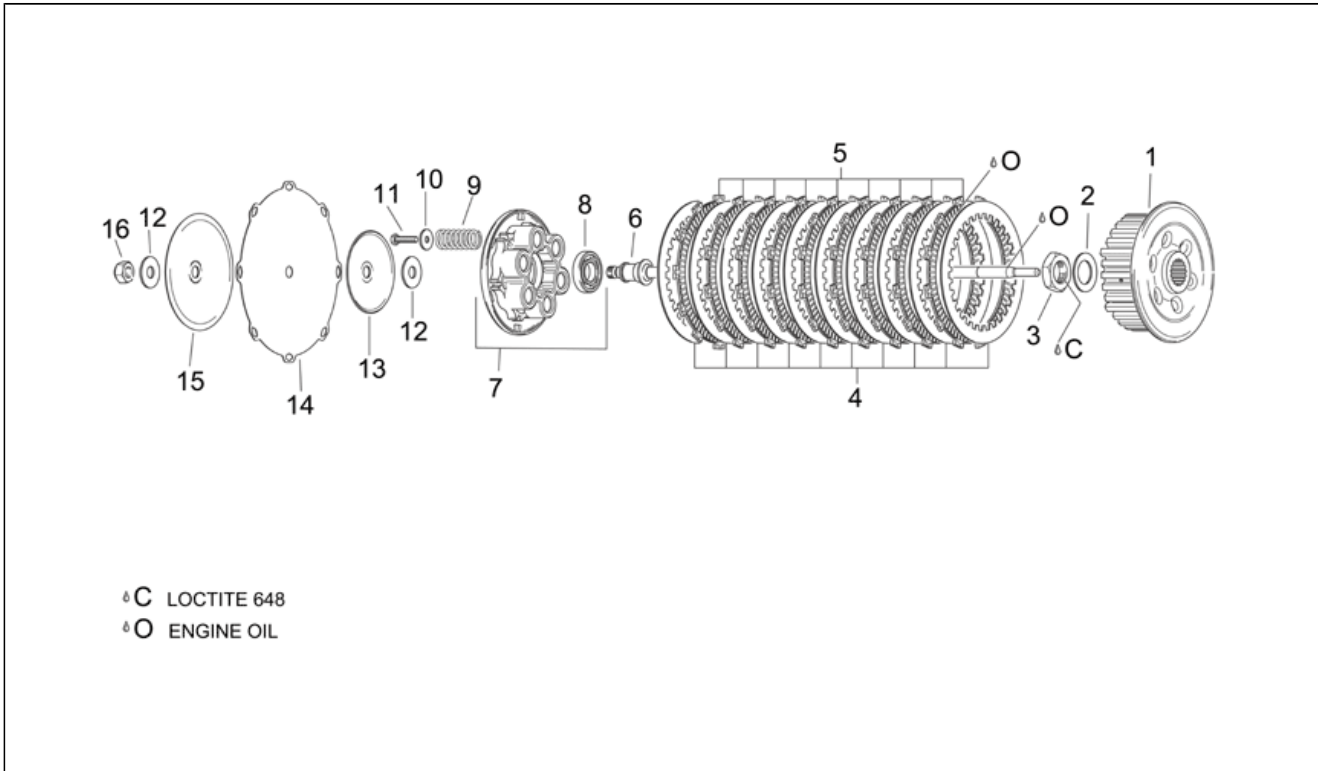
Pos.	Code	Description	Q.ty	Variants
1	AP0220437	Gear shaft+spring cpl.	1	
2	AP0258380	Fork shaft	2	
3	AP0258361	Fork	1	
4	AP0258351	Fork	1	
5	AP0258376	Fork	1	
6	AP0258310	Index washer	1	
7	AP0932335	Ball bearing 16101	1	
8	AP0258325	Shift cam	1	
9	AP0241932	Hex socket screw	2	
10	AP0244211	Washer 6,4	1	
11	AP0227716	Washer	1	
12	AP0248375	Index assy. lever	1	
13	AP0239247	Index spring	1	
14	AP0229385	Pin	1	
15	AP0239430	Spring	1	
16	AP0239420	Pin spring	1	
17	AP0247940	Bush	1	
18	AP0245440	Circlip	1	
19	AP0832144	Ball bearing 6304	1	
20	AP0227442	Washer 20,2x27,5	1	
21	AP0945665	Circlip 20x1,75	1	
22	AP0236366	Rubbered pinion z=17	1	
23	AP0239450	Spring washer 34x16,3	1	
24	AP0627210	Washer	1	
25	AP0940741	Hex screw m10x35	1	
26	AP0620235	Gear shaft+spring cpl.	1	
27	AP0227714	Washer	1	

Assembly	ENGINE
Code	29.56
Description	Gear box
Revision	1



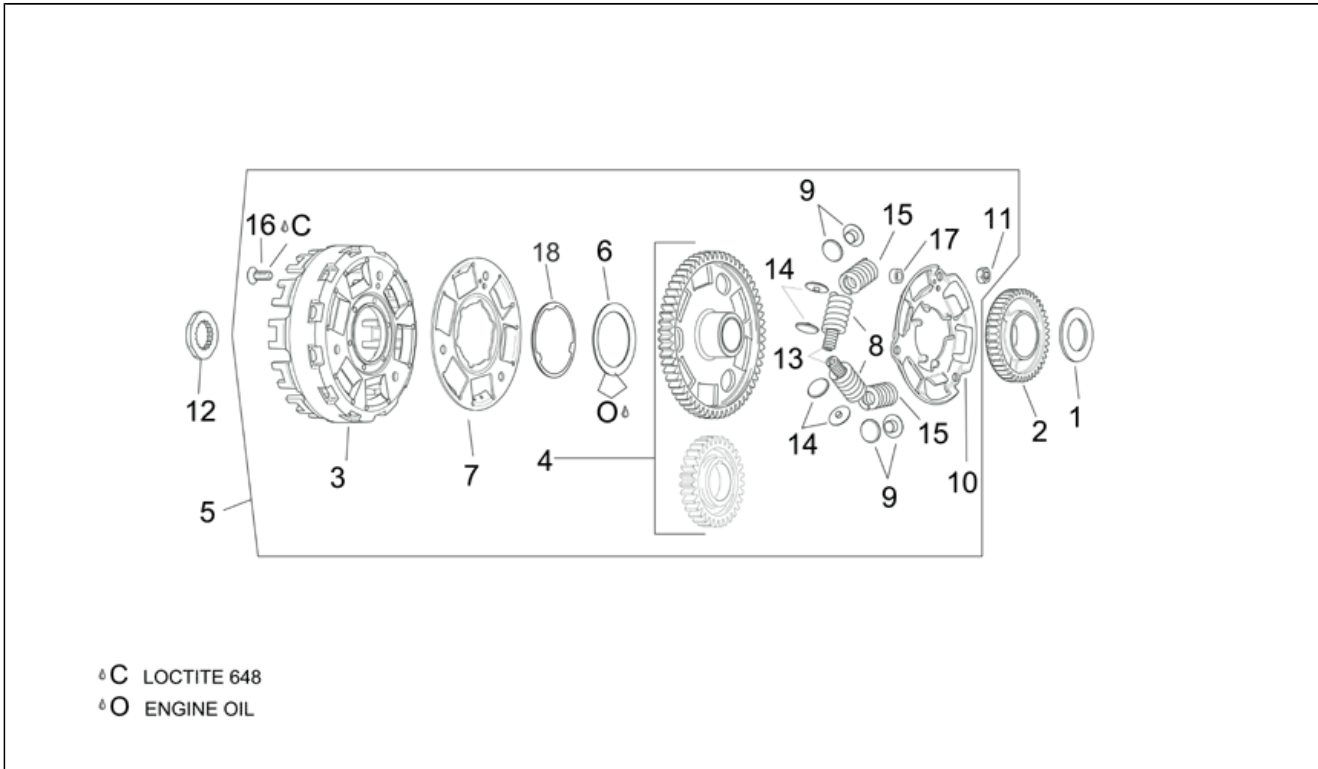
Pos.	Code	Description	Q.ty	Variants
1	AP0220390	Primary gear shaft assy. z=14	1	
2	AP0634695	5th pinion gear z=23	1	
3	AP0627120	Washer 29,2x33,5	2	
4	AP0245815	Circlip 28x2	6	
5	AP0634660	3rd-4th pinion gear z=19/22	1	
6	AP0627132	Washer 25,35x34,5	4	
7	AP0632070	Roller cage 25x29x13	4	
8	AP0634710	6th pinion gear z=27	1	
9	AP0634640	2nd pinion gear z=16	1	
10	AP0220400	Driven shaft	1	
11	AP0634655	2nd wheel gear z=28	1	
12	AP0634720	6th wheel gear z=23	1	
13	AP0634670	4th wheel gear z=24	1	
14	AP0634680	3rd wheel gear z=26	1	
15	AP0634700	5th wheel gear z=22	1	
16	AP0427106	Washer 25,3x33,5	1	
17	AP0634620	1st wheel gear z=35	1	
18	AP0827110	Washer 20,5x37x1	1	
19	AP0281222	Gear box cpl.6 speed	1	

Assembly	ENGINE
Code	29.57
Description	Clutch I
Revision	1



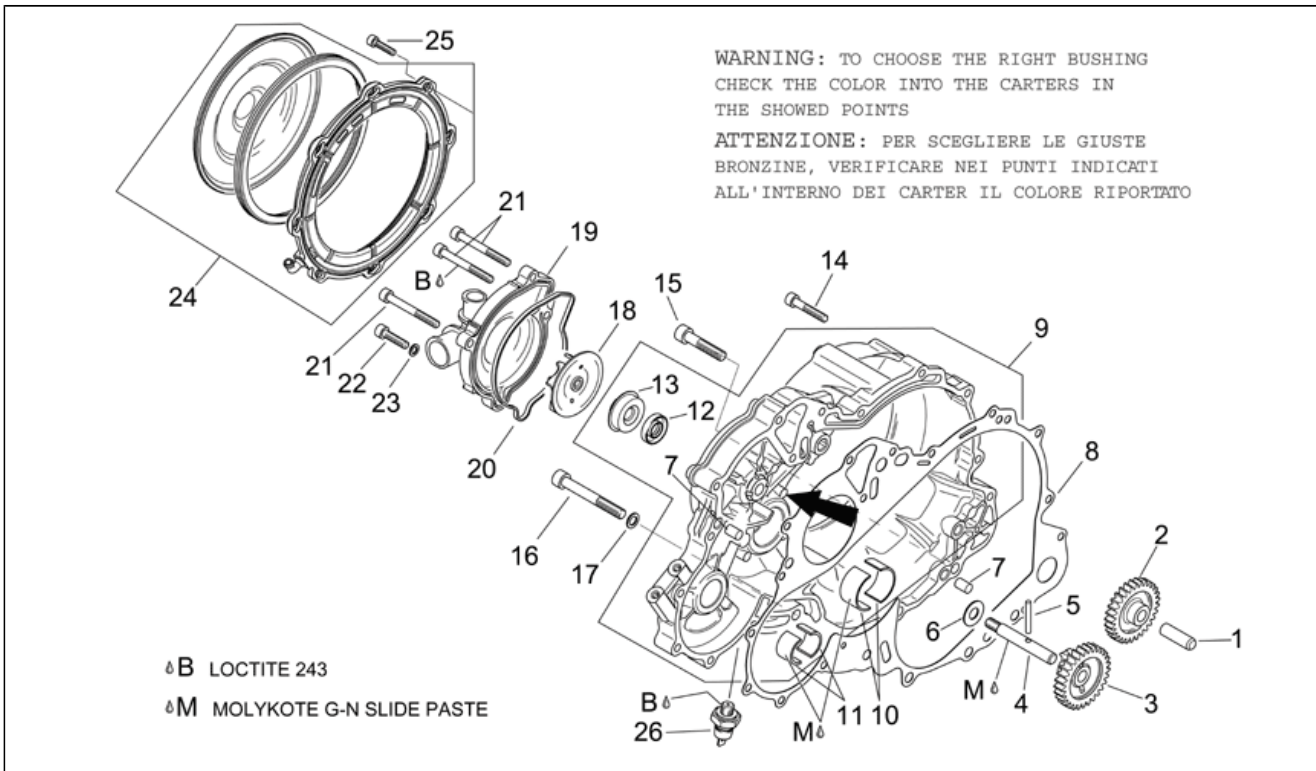
Pos.	Code	Description	Q.ty	Variants
1	AP0259520	Clutch hub	1	
2	AP0245830	Spring washer 24,5x40	1	
3	AP0242950	Nut m24x1,5	1	
4	AP8106959	Steel clutch disc 9 pz.	1	
5	AP8106960	Lined clutch disc 8 pz.	1	
6	AP0220455	Clutch shaft cpl.	1	
7	AP0259517	Springholder plate cpl.	1	
8	AP0632130	Ball bearing 16004	1	
9	AP0239480	Clutch spring	6	
10	AP0627530	Washer	6	
11	AP0240036	Hex screw	6	
12	AP0227180	Washer 12,2x32x2	2	
13	AP0627230	Support disc	1	
14	AP0260890	Diaphragm	1	
15	AP0627280	Pressure plate	1	
16	AP0442130	Nut m12	1	

Assembly	ENGINE
Code	29.58
Description	Clutch II
Revision	1



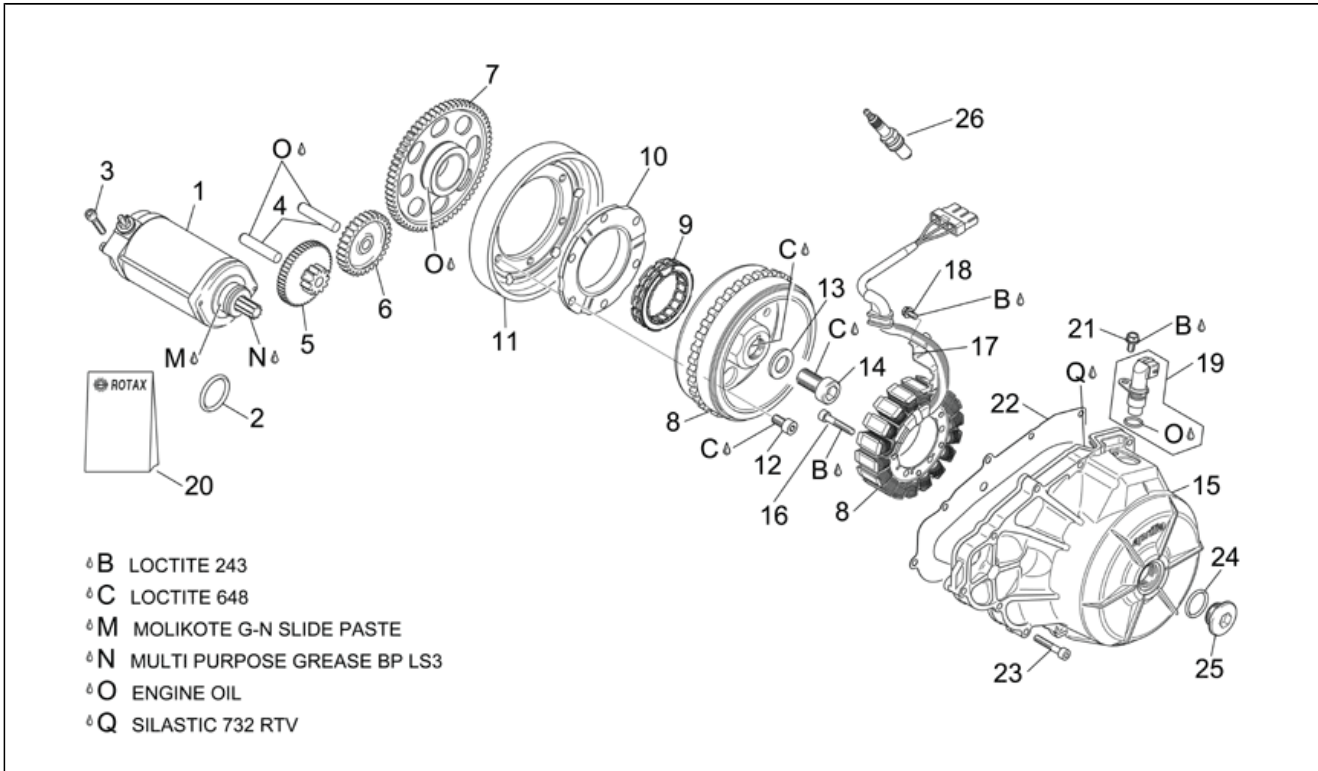
Pos.	Code	Description	Q.ty	Variants
1	AP0627260	Washer 30,2x50	1	
2	AP0634475	Oil pump gear z=42	1	
3	AP0259535	Clutch drum	1	
4	AP0295783	Primary drive gear	1	
5	AP0295795	Primary transm.	1	
6	AP0239390	Spring washer 68x52x1,2	1	
7	AP0259587	Springholder plate	1	
8	AP0238135	Spring	4	
9	AP0247974	Bush D11,5	4	
10	AP0259583	Springholder plate	1	
11	AP0242206	Nut M8	3	
12	AP0627220	Washer 25x44,4x5	1	
13	AP0238140	Spring	4	
14	AP0247972	Bush D5,5	8	
15	AP0238130	Spring	2	
16	AP0941835	Screw M8x25	3	
17	AP0247614	Spacer	3	
18	AP0627910	Thrust washer	1	

Assembly	ENGINE
Code	29.59
Description	Water pump
Revision	1



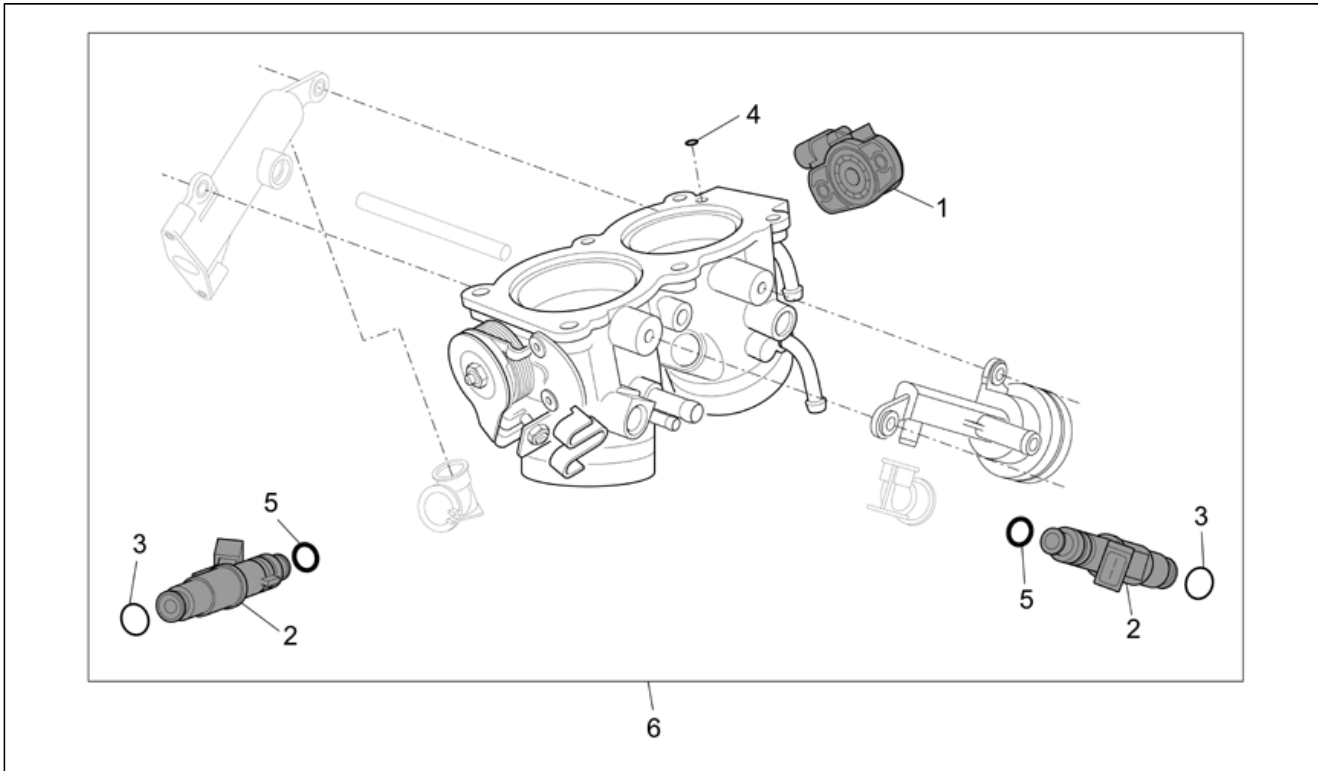
Pos.	Code	Description	Q.ty	Variants
1	AP0929930	Pin	1	
2	AP0634500	Idle gear z=28	1	
3	AP0634490	Water pump gear z=28	1	
4	AP0220410	Water pump shaft assy.	1	
5	AP0232430	Pin	1	
6	AP0227685	Washer 10,1x22x1	1	
7	AP0632010	Pin M8x12	2	
8	AP0650330	Gasket	1	
9	AP0610151	Clutch cover	1	
10	AP0233790	Bushing half-shell, blue	2	
10	AP0233791	Bushing half-shell, red	2	
10	AP0233793	Bushing half-shell, yellow	2	
11	AP0233780	Bearing half-shell 20x24x16	2	
12	AP0650315	Oil seal 10x25x5	1	
13	AP0650370	Pump mechanical seal	1	
14	AP0241811	Hex socket screw	11	
15	AP0840681	Hex socket screw M8x40	3	
16	AP0841841	Hex socket screw m8x65	1	
17	AP0950141	Gasket ring 8x13	1	
18	AP0222500	Impeller	1	
19	AP0222512	Water pump casing	1	
20	AP0650240	Gasket	1	
21	AP0240331	Hex socket screw	3	
22	AP0840861	Hex socket screw M6x25	1	
23	AP0950141	Gasket ring 8x13	1	
24	AP0211778	Diaphragm disc cpl.	1	
25	AP0240181	Hex socket screw M5x20	8	
26	AP0956169	Oil pressure switch m10x1	1	

Assembly	ENGINE
Code	29.60
Description	Ignition unit
Revision	1



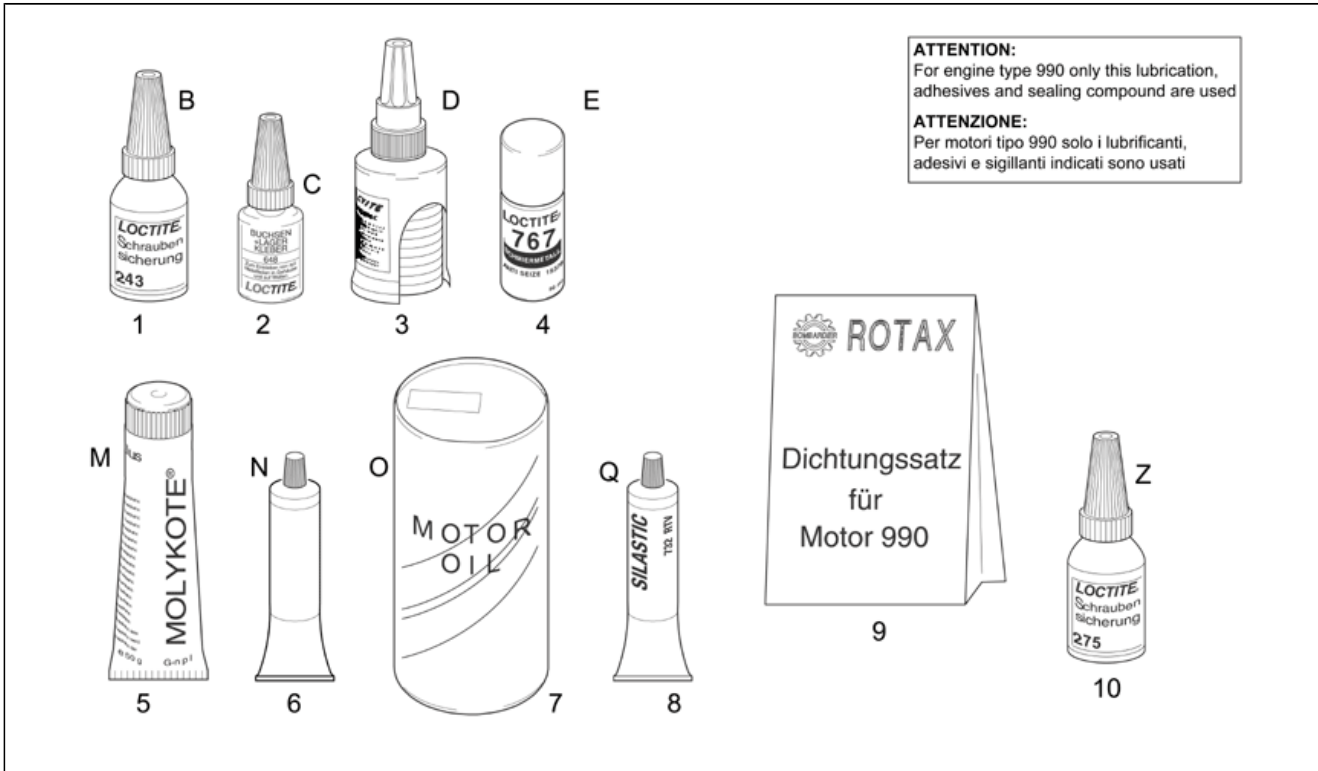
Pos.	Code	Description	Q.ty	Variants
1	AP0294356	Starter motor cpl.	1	
2	AP0250140	O-ring 24,4x3,1	1	
3	AP0840882	Hex socket screw	2	
4	AP0229301	Pin M6x50	2	
5	AP0634740	Double gear z=11/49	1	
6	AP0634600	Idle gear z=30	1	
7	AP0634595	Sprag clutch gear z=64	1	
8	AP0295835	Ignition unit 12v 420w	1	
9	AP0659110	Sprag clutch	1	
10	AP0659125	Sprag clutch housing	1	
11	AP0265040	Flywheel rotor	1	
12	AP0641505	Hex socket screw m8x18	6	
13	AP0627270	Washer a17	1	
14	AP0241540	Hex socket screw	1	
15	AP0211655	Ignition cover	1	
16	AP0241816	Hex socket screw M6x40	3	
17	AP0251160	Cable protection	1	
18	AP0241081	Hex socket screw M6x10	1	
19	AP8124865	Drive shaft pos.sensor	1	
20	AP0294354	Starter motor revision kit	1	
21	AP0240385	Screw w/ flange	1	
22	AP0650340	Gasket	1	
23	AP0241811	Hex socket screw	12	
24	AP0430782	O-ring 23,3x2,4	1	
25	AP0241631	Plug m24x1,5	1	
26	AP0297942	Spark plug DCPR9E	4	

Assembly	ENGINE
Code	29.61
Description	Throttle body
Revision	1



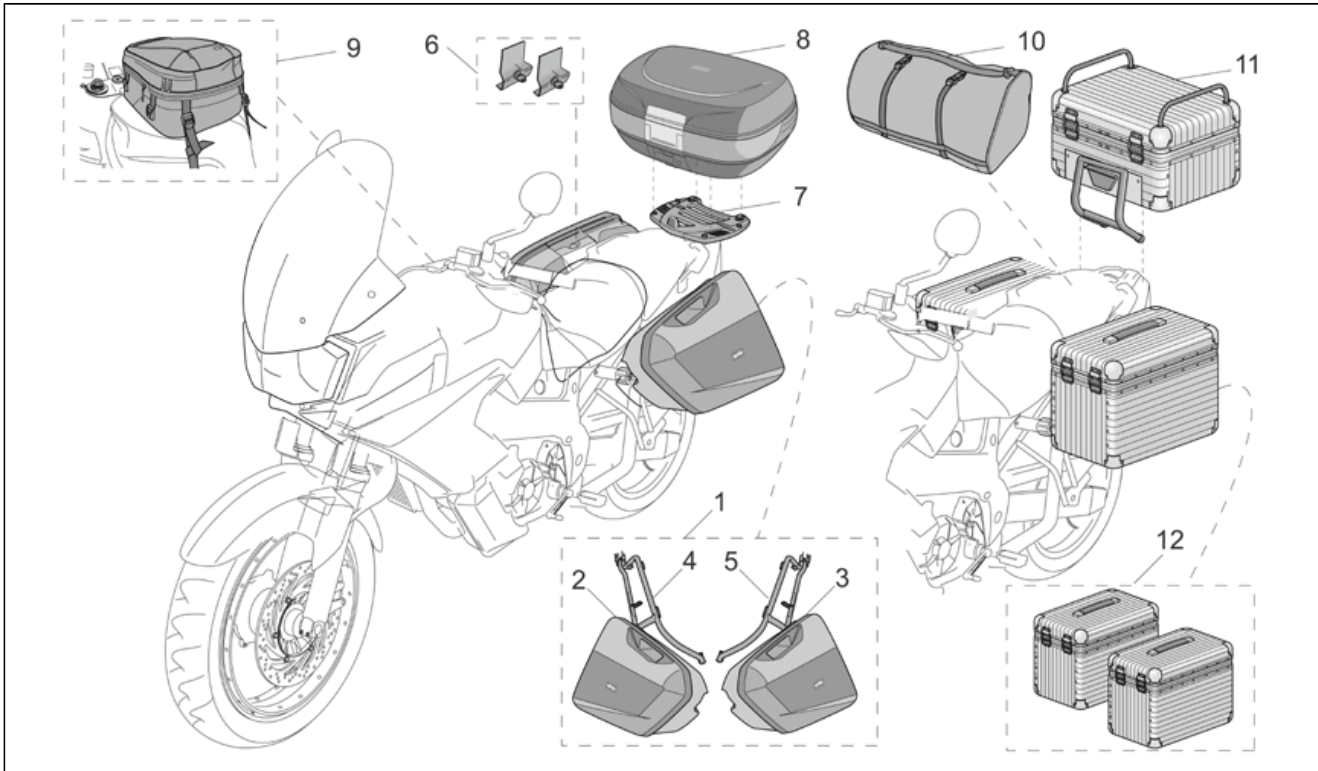
Pos.	Code	Description	Q.ty	Variants
1	AP8124866	Throttle body sensor	1	
2	AP8106889	Injection valve cpl.	2	
3	AP8144485	O-ring	2	
4	AP8120965	O-ring 2018	1	
5	AP8144483	O-ring	2	
6	AP8106883	Throttle body cpl.	1	

Assembly	ENGINE
Code	29.62
Description	Sealing and lubricating agents
Revision	1



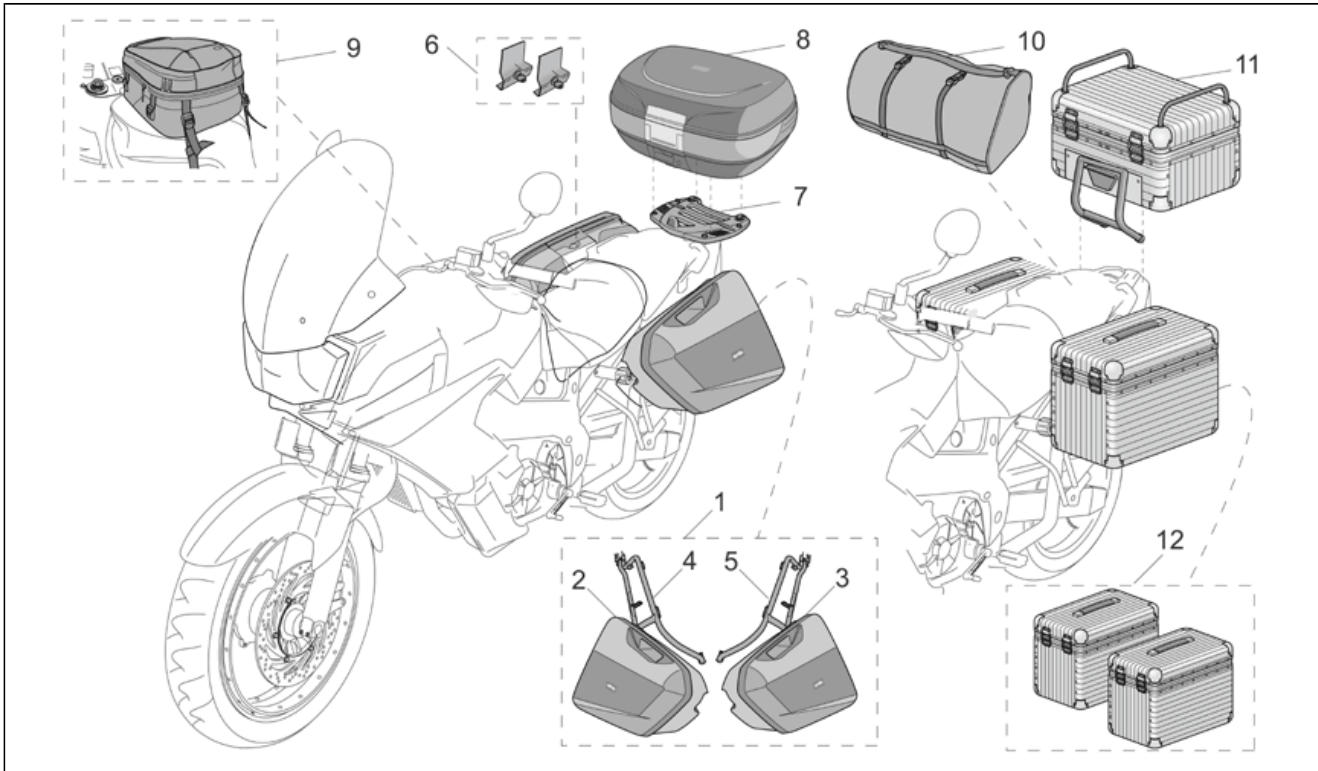
Pos.	Code	Description	Q.ty	Variants
1	AP0897651	Loctite (blue) 243 10cc.	1	
2	AP0899788	Loctite (green) 648 5gr.	1	
3	AP0899784	Loctite (orange) 574	1	
4	AP0297434	Loctite Anti Seize 50ml.15378	1	
5	AP0297433	Molykote G-N 50gr.	1	
6	0000000	Tyre 110/90"	1	
7	0000000	Tyre 110/90"	1	
8	AP0297386	Silastic 732 Rtv 100 gr.	1	
9	AP0296170	Gasket set	1	
10	AP0898011	Loctite 275	1	

Assembly	ACCESSORIES
Code	30.63
Description	Acc. - Top/cases, side cases
Revision	1



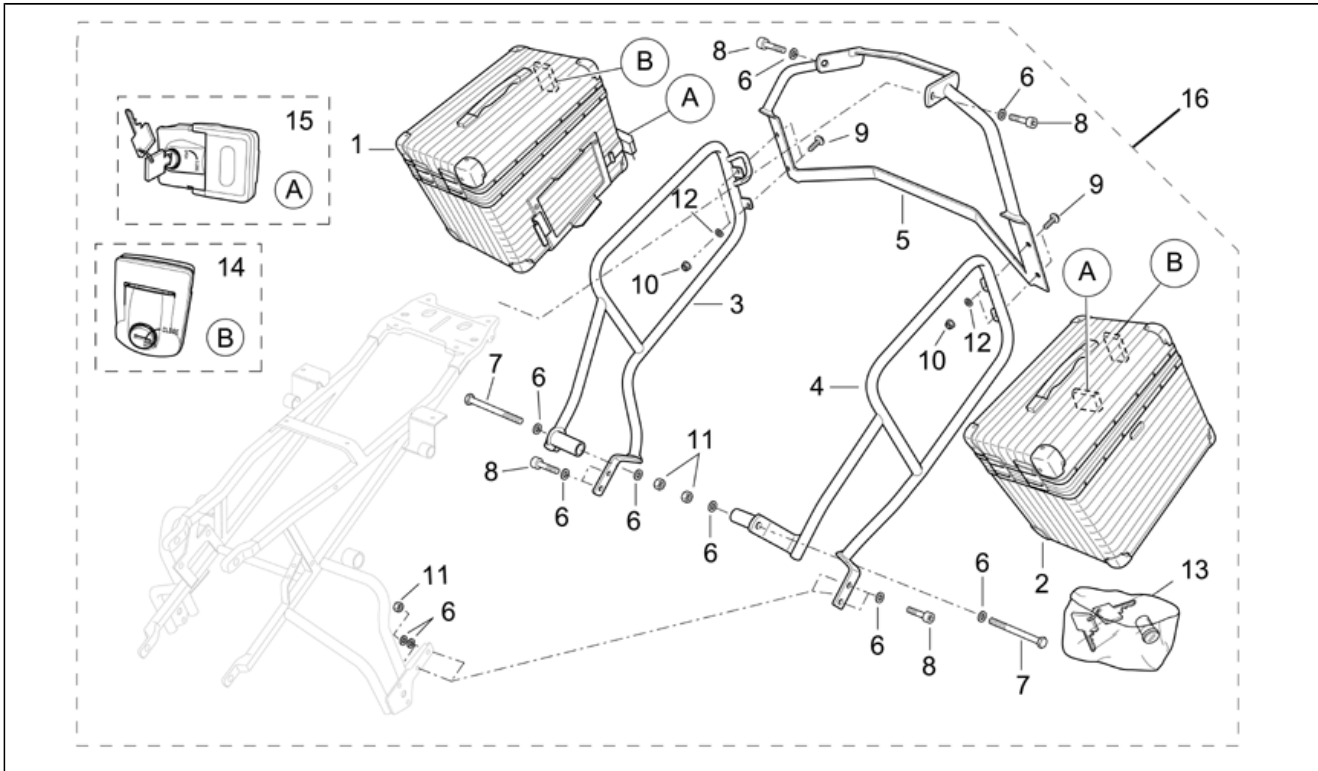
Pos.	Code	Description	Q.ty	Variants
1	AP8792375	Case assy.-pair, p.black	1	Color: Pastello Black[p.black] Country: Germany[D], Spain[E], Ireland[EI], DK, E, I[EU], France[F], Italy[I], Holland[NL], Great Britain[UK] Technical Specifications: Accessories[A]
1	AP8792378	Case assy.-pair, p.black	1	Color: Pastello Black[p.black] Country: United States of America[USA] Technical Specifications: Accessories[A]
2	AP8792376	RH case, p.black	1	Color: Pastello Black[p.black] Country: Germany[D], Spain[E], Ireland[EI], DK, E, I[EU], France[F], Italy[I], Holland[NL], Great Britain[UK] Technical Specifications: Accessories[A]
2	AP8792379	RH case, p.black	1	Color: Pastello Black[p.black] Country: United States of America[USA] Technical Specifications: Accessories[A]
3	AP8792377	LH case, p.black	1	Color: Pastello Black[p.black] Country: Germany[D], Spain[E], Ireland[EI], DK, E, I[EU], France[F], Italy[I], Holland[NL], Great Britain[UK] Technical Specifications: Accessories[A]
3	AP8792380	LH case, p.black	1	Color: Pastello Black[p.black] Country: United States of America[USA] Technical Specifications: Accessories[A]
4	AP8792198	RH saddlebag support kit	1	Technical Specifications: Accessories[A]
5	AP8792199	LH saddlebag support kit	1	Technical Specifications: Accessories[A]
6	AP8792184	Lockup levers assy.pair, grey	1	Technical Specifications: Accessories[A]
6	AP8792391	Lockup lev.assy.pair, p.black	1	Color: Pastello Black[p.black] Technical Specifications: Accessories[A]
7	AP8792173	Top box support kit 50L	1	Technical Specifications: Accessories[A]
8	AP8792172	Top box, grey/red X-Box Dark	1	Technical Specifications: Accessories[A]
8	AP8792288	Top box, grey Xstron. X-Box50L	1	Technical Specifications: Accessories[A]
9	AP8792174	Tank pack	1	Technical Specifications: Accessories[A]
10	AP8792152	Rear saddlebag	1	Technical Specifications: Accessories[A]
11	AP8792331	Top box with support Aluminium	1	Technical Specifications: Accessories[A]

Assembly	ACCESSORIES
Code	30.63
Description	Acc. - Top/cases, side cases
Revision	1



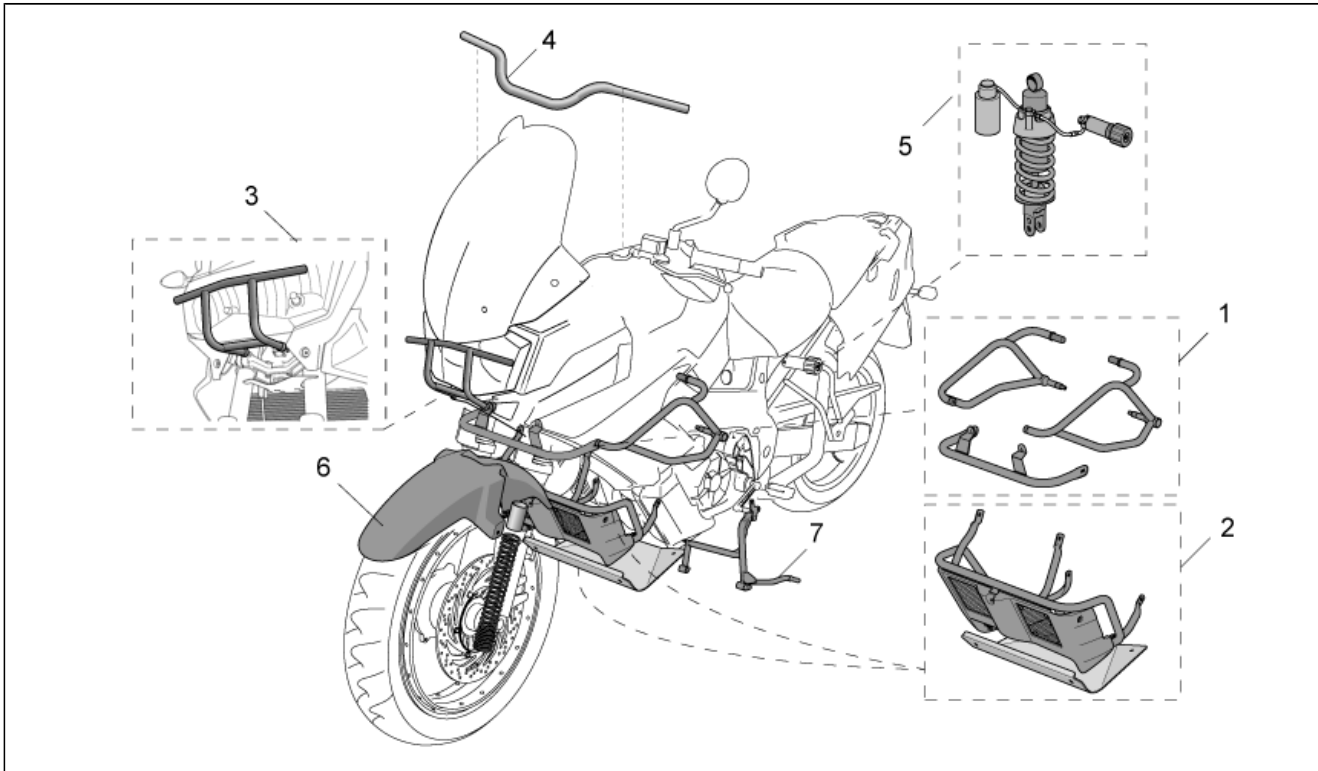
Pos.	Code	Description	Q.ty	Variants
12	AP8104680	Case assy.- pair alu	1	Technical Specifications:Accessories[A]

Assembly	ACCESSORIES
Code	30.64
Description	Side Cases Alu
Revision	1



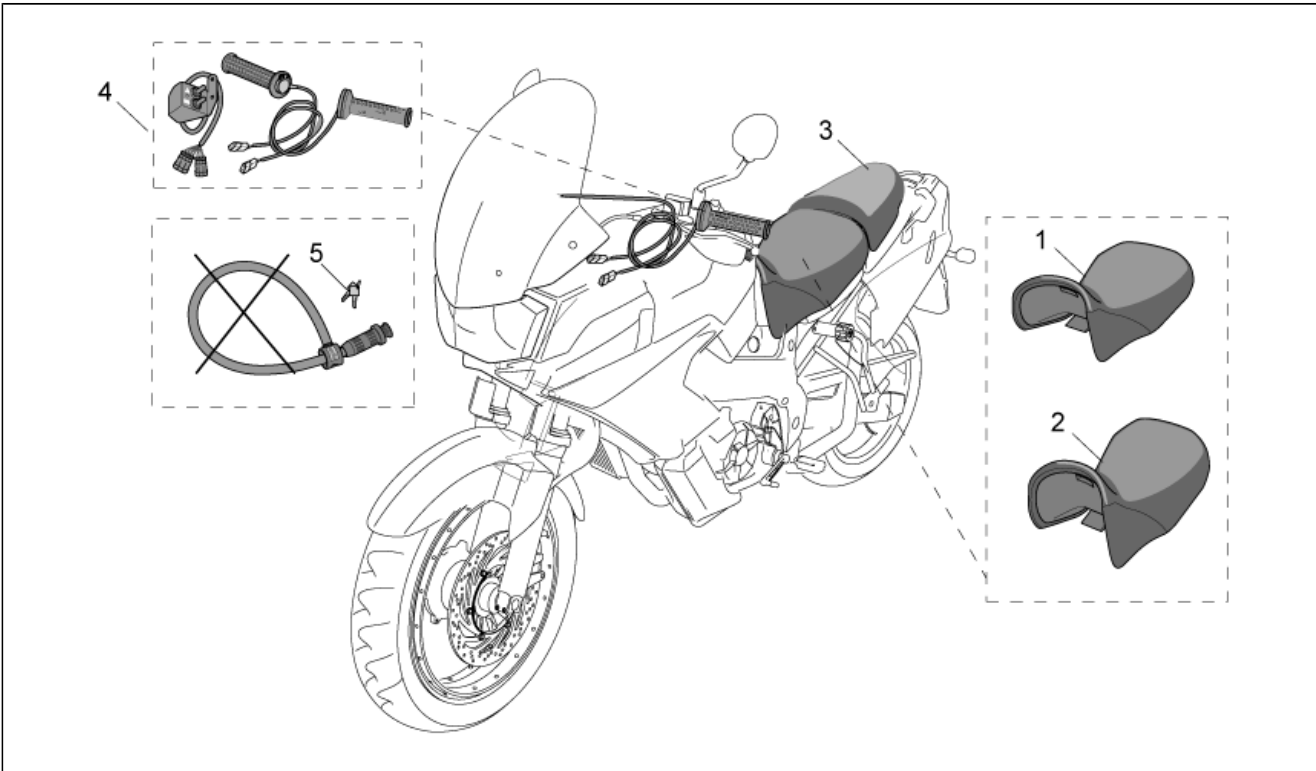
Pos.	Code	Description	Q.ty	Variants
1	AP8104628	RH suitcase	1	Technical Specifications:Accessories[A]
2	AP8104629	LH suitcase	1	Technical Specifications:Accessories[A]
3	AP8146761	RH support	1	Technical Specifications:Accessories[A]
4	AP8146762	LH support	1	Technical Specifications:Accessories[A]
5	AP8134944	Clamp	1	Technical Specifications:Accessories[A]
6	AP8150017	Washer 8,4x16x1,6*	12	Technical Specifications:Accessories[A]
7	AP8150388	Hex socket screw M8x100*	2	Technical Specifications:Accessories[A]
8	AP8150170	Hex socket screw M8x25*	6	Technical Specifications:Accessories[A]
9	AP8152137	Hex socket screw	4	Technical Specifications:Accessories[A]
10	AP8150430	Low self-locking nut	4	Technical Specifications:Accessories[A]
11	AP8150431	Low nut	4	Technical Specifications:Accessories[A]
12	AP8152184	Washer 6,4x12*	8	Technical Specifications:Accessories[A]
13	AP8790114	Rotor kit with key	1	Technical Specifications:Accessories[A]
14	AP8104707	Lock	1	Technical Specifications:Accessories[A]
15	AP8104706	Lock	1	Technical Specifications:Accessories[A]
16	AP8104680	Case assy.- pair alu	1	Technical Specifications:Accessories[A]

Assembly	ACCESSORIES
Code	30.65
Description	Acc. - Cyclistic components
Revision	1



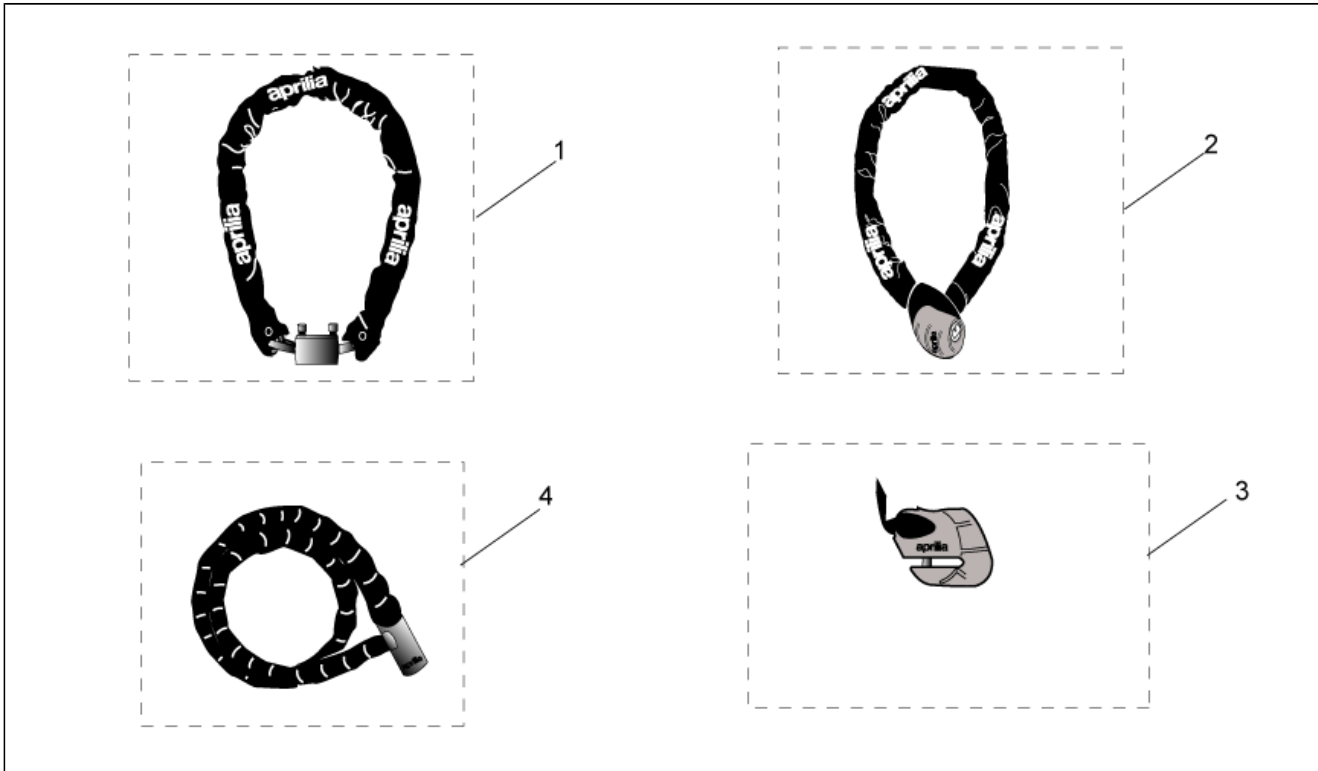
Pos.	Code	Description	Q.ty	Variants
1	AP8791237	Front fairing guard kit	1	Technical Specifications: Accessories[A]
2	AP8791236	Sump guard Alu/Carb.	1	Technical Specifications: Accessories[A]
3	AP8791235	Headlight guard	1	Technical Specifications: Accessories[A]
4	AP8796735	Biconical handlebar kit alu	1	Technical Specifications: Accessories[A]
5	AP8795038	Rear shock absorber	1	Technical Specifications: Accessories[A]
6	AP8156065	Front mudguard, grey	1	Technical Specifications: Accessories[A]
7	AP8795035	Central stand	1	Technical Specifications: Accessories[A]

Assembly	ACCESSORIES
Code	30.66
Description	Acc. - Various
Revision	1



Pos.	Code	Description	Q.ty	Variants
1	AP8793056	Low saddle, black	1	Technical Specifications:Accessories[A]
1	AP8793057	Low saddle, brown	1	Technical Specifications:Accessories[A]
1	AP8793685	Low saddle, brown	1	Technical Specifications:Accessories[A]
2	AP8793683	High Driver saddle, black rally	1	Technical Specifications:Accessories[A]
3	AP8793684	High Rear saddle, black rally	1	Technical Specifications:Accessories[A]
4	AP8796733	Heater/Indicator handg.-pair	1	Technical Specifications:Accessories[A]
5	AP8700792	Key support B.Guard UK-D	1	Technical Specifications:Accessories[A]
5	AP8700793	Key support B.Guard F-NL	1	Technical Specifications:Accessories[A]
5	AP8700794	Key support B.Guard I-E	1	Technical Specifications:Accessories[A]

Assembly	ACCESSORIES
Code	30.67
Description	Acc. - Mechanics anti-theft
Revision	1



Pos.	Code	Description	Q.ty	Variants
1	AP8720115	Iron Guard 10x150 mm	1	Technical Specifications:Accessories[A]
2	AP8720116	Iron Guard 8x120 mm	1	Technical Specifications:Accessories[A]
3	AP8720117	Iron Guard Disk 5 mm	1	Technical Specifications:Accessories[A]
4	AP8720118	Easy Guard 150 mm	1	Technical Specifications:Accessories[A]